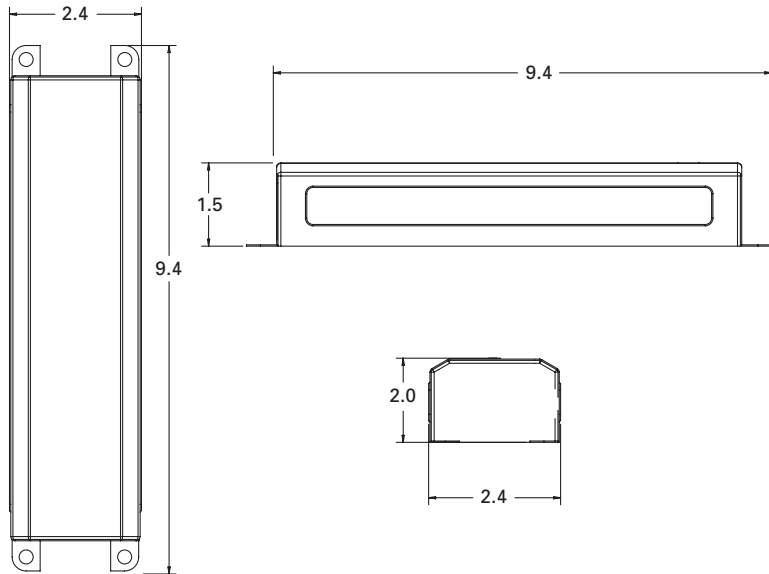
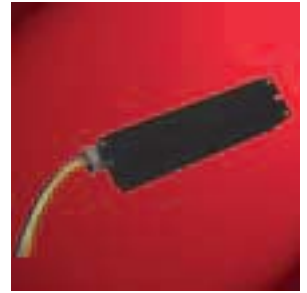


DIMENSIONS



DESCRIPTION

In the event of AC power loss, the Sure-Lites LTC2, Load Transfer Circuit, automatically switches normal light fixtures to approved emergency lights. The LTC2, in conjunction with an auxiliary emergency power generator or inverter, will provide emergency power to lighting fixtures regardless of the room switch position. The LTC2 will operate up to a maximum 10A load. The LTC2 is UL924 listed for field retrofit installation.



LTC2 SERIES

Load Transfer Circuit

EMERGENCY LIGHTING

- 120/277VAC, 60Hz available
- Operates incandescent, fluorescent, HID and other loads; 10 Amps Max
- Matte black painted steel housing
- Sized to fit inside ballast channel
- Can be installed inside or on top of fixture
- May be used with switched fixtures
- Compatible with many different lamp types
- Compatible with many ballast types including standard, rapid-start, slimline, instant-start, energy-saving, dimming and electronic AC ballasts - consult Cooper Lighting Representative regarding specific applications
- UL 924 Listed (dry locations), UL Listed for Retrofit/ Field Installation, Life Safety NFPA 101, NEC/OSHA

ORDERING INFORMATION

SAMPLE NUMBER: LTC2

LTC2

Family
LTC2=Load Transfer
Circuit

Voltage
Blank=120/277VAC