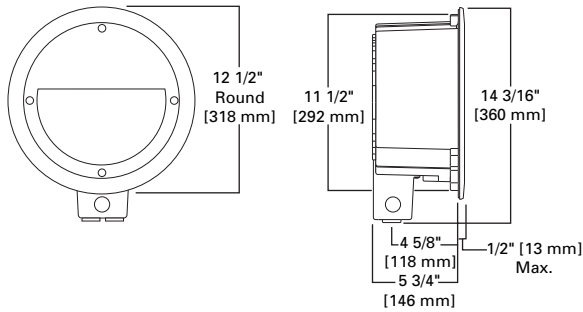


DIMENSIONS



DESCRIPTION

The SOLAS™ Series family of modular faceplate designs provide a tasteful architectural statement equally suitable for indoor and outdoor environments. Available solid stainless and copper faceplate covers add a premium look to flush faceplate fixtures. SOLAS™ Series luminaires are for recessed wall mounted applications only.



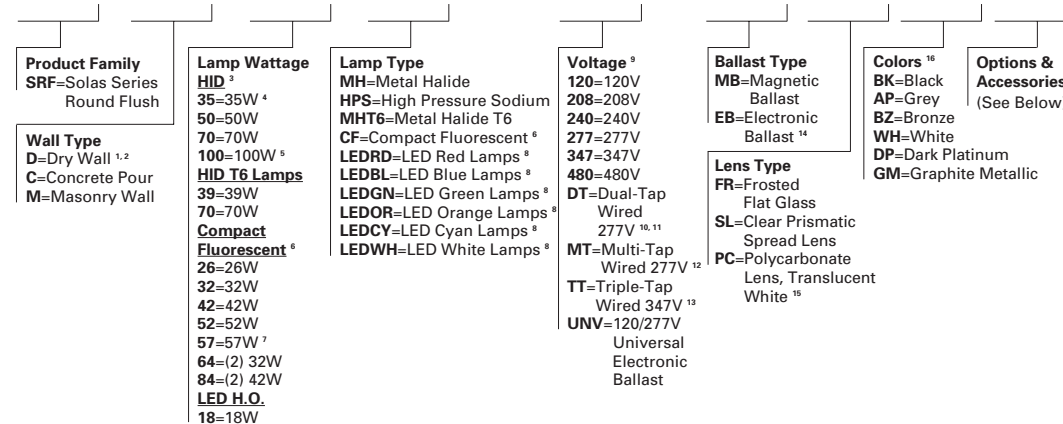
In HID lamps with "SL" lens option.



SRF
SOLAS SERIES
ROUND

ORDERING INFORMATION

SAMPLE NUMBER: SRF-M-39-MHT6-MT-MB-PC-BK



Options¹²

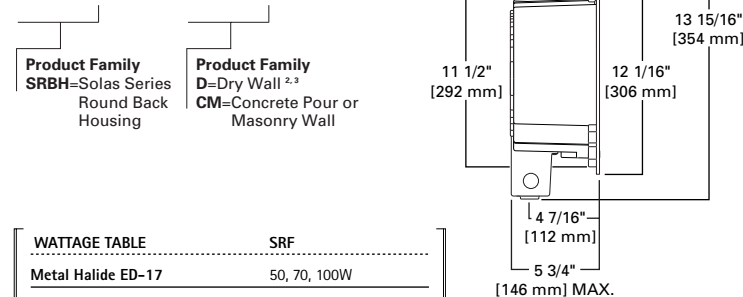
F=Single Fuse (120, 277 or 347V) Specify Voltage¹⁸
 FF=Double Fuse (208, 240 or 480V) Specify Voltage¹⁸
 TP=Tamper Proof Hardware (TORX™ Center Pin Reject)
 EM/SC=Quartz Emergency Separate Circuit¹⁹
 L=Lamp included

Accessories²²

SSRFC=Stainless Steel Round Flush Cover
 CURFC=Copper Round Flush Cover²⁰
 LED Replacement Lamp Kit (order separately)
 LED RD/RK=Red LED Lamp Replacement Kit
 LED BL/RK=Blue LED Lamp Replacement Kit
 LED GN/RK=Green LED Lamp Replacement Kit
 LED OR/RK=Orange LED Lamp Replacement Kit
 LED CN/RK=Cyan LED Lamp Replacement Kit
 LED WH/RK=White LED Lamp Replacement Kit

ORDERING INFORMATION (Back Housing. Must be order separately)

SAMPLE NUMBER: SRBH-D



WATTAGE TABLE	SRF
Metal Halide ED-17	50, 70, 100W
High Pressure Sodium	35, 50, 70W
Metal Halide T6	39, 70W
Compact Fluorescent	26, 32, 42, 57W
Dual Compact Fluorescent	(2) 26, (2) 32, (2) 42W
LED High Output	18W

Certifications

IP66 Rated	U.L. 1598	ADA Compliant	CO Cutoff
CSA Listed	25°C Rated	ISO 9001	

Recessed wall mount only.

NOTES: 1 If insulation material is used, it must be kept minimum 3" away from luminaire on all sides. 2 All HID units for drywall or combustible applications will require a dual- or multi-tap magnetic ballast allowing use of insulation detector as required by Code. CF units have built in thermal protection; insulation detector will be taken out of circuit. 3 All HID ED-17 lamps are medium-base. 4 35W HPS available in 120V only. 5 100W MH available only in "C" Concrete Pour and "M" Masonry Wall units. 6 CF lamps use electronic ballast 120-277V (UNV) only. 7 Nominal M.O.L lamp length of 57W CFL not to exceed 7". 8 Available with electronic ballast, 120V only. 9 Products also available in non-US voltages and 50Hz for international markets. Consult factory for availability and ordering information. 10 Dual-tap is 120/277V wired 277V. 11 Not available in 70W MH medium-base M98 lamp. 12 Multi-tap is 120/208/240/277V wired 277V. 13 Triple-tap is 120/277/347V wired 347V. 14 Available in 50W MH or less, 120-277V universal voltage, not available with HID units in Dry Wall (D) applications. "EB" standard on all Compact Fluorescent. 15 70W HID max., 84W compact fluorescent max. 16 Custom and RAL color matching available upon request. Consult your INVUE Lighting Systems Representative for further information. 17 Add as suffix in the order shown. 18 Available on 50W or less only. 19 For use only with 39W T6 MH lamp. Backup lamp is Halogen 120V T4, G9 base 40W maximum. 20 Copper cover supplied with baked lacquer finish to maintain finish prior to installation. Over time copper will weather to a natural patina finish. 21 Order separately. 22 Specifications and dimensions subject to change without notice.

18 - 100 W
Metal Halide
High Pressure Sodium
Compact Fluorescent
LED

ARCHITECTURAL
RECESSED LOW LEVEL
WALL LUMINAIRE

- One piece die-cast aluminum construction
- One piece die-cast aluminum faceplate utilizes a continuous silicone gasket to seal securely to housing. Faceplate is mounted with two (2) point screws. ADA compliant
- 95% reflective anodized aluminum sheet. Optical segments are rigidly mounted inside a heavy wall aluminum housing for superior protection
- Removable power tray for ease of maintenance. Conduit splice box provides six (6) 3/4" NPS hubs for supply connection
- Available for indoor and outdoor applications utilizing drywall, OSB, concrete pour and brick/masonry. Maximum depth back housing protrudes into wall is 5 3/4"
- Available in stainless steel or pure copper and comes with circular brushed finish
- Approximate net weight: 19 lbs. (8.64 kgs.)