

LF
Flexible Track



LF FLEXIBLE TRACK

Structural
Extruded aluminum I-beam 0.060" nominal wall thickness. Flexible Track is 1-1/2" high by 7/16" wide.

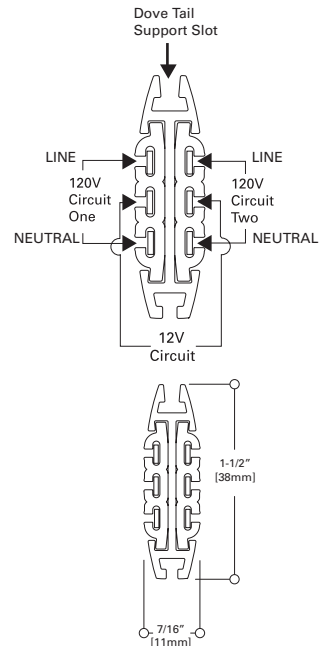
120V and 12V Conductors
Nickel-plated solid copper bus bars (cross section equivalent to #10AWG wire) encased in extruded CPVC insulators.

Insulating Liner
Extruded polyvinyl insulators.

Grounding
Grounding is accomplished through a grounding channel in the track. The track maintains continuity to the track connectors, lampholders and building's grounding system through this channel.

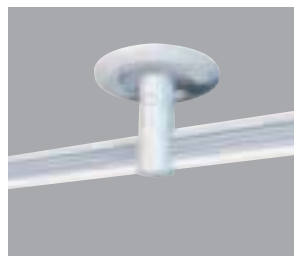
Polarity
Track is asymmetric in nature and accepts connectors and lampholders in one direction only to maintain polarity.

- Details**
- Track ships with two dead ends. Track minimum bend radius is 24 inches.
 - Separate power feed is required for each circuit to be energized
 - A track support is required every four feet. More Supports may be required depending on the complexity of the "curved" design layout.
 - It is recommended to have a track support at the apex of every curve.
 - A track support is required within six inches of any non stem supported connector.
 - Track lengths and stems can be cut to size in field.



LF		AH
Track LF=Flexible Track	Length 4=4" 8=8"	Finish AH=Aluminum Haze

LF612AH **Dead End**
Description: Finishes end of track. Aluminum Haze finish. (two included with each track section)

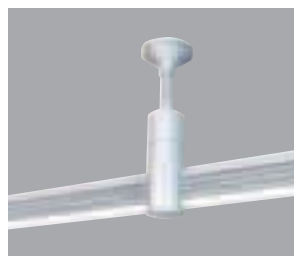


LF601
Power Feed

LF601AH **120V Feed with Stem/Canopy**
Description: 120V Power feed with canopy and stem mounts on standard junction box (supplied with feed wires)
Feeds one 120V circuit only.

LF60112AH **12V Feed with Stem/Canopy**
Description: 12V Power feed with canopy and stem. mounts on standard junction box (supplied with feed wires).
Remote 12V transformer required to energize.

LF601		AH	
Accessory LF601=Flexible Track	Voltage Blank=120V 12=12 Volt	Finish AH=Aluminum Haze	Length (Ceiling to bottom of track) 4=4" 24=24" 6=6" 36=36" 12=12" 48=48" 18=18" 96=96" 4" not for use in Canada



LF602
Track Support

LF602AH **Clam Shell Track Support Stem with Small Canopy (non-conductive)**
Description: Rigid stem with clam shell attachment supports the track.

LF602	AH	
Accessory LF602=Flexible Track	Finish AH=Aluminum Haze	Length (Ceiling to bottom of track) 6=6" 24=24" 12=12" 36=36" 18=18" 48=48" 96=96"