

DESCRIPTION

AVID Series delivers a scalable aesthetically pleasing family of luminaires that combines the needs of lighting designers, architects, and building owners of architectural form providing great lighting performance in interior spaces. This rugged luminaire design considers multiple mounting configurations integrating a vast array of lamp sources and ballast technologies allowing specifications to combine one style for many interior application needs.

Catalog #		Type
Project		
Comments		Date
Prepared by		

SPECIFICATION FEATURES

A...Mounting

Cast aluminum top can be specified for pendant or suspension mounting. Pendant mounting comes with a 1/2" pipe with internal locking screw assuring security. Requires 4" octagonal J-box with fixture rating that exceeds 45 lbs.

B...Integral Ballast Housing

Integral ballast housing consists of heat dissipating aluminum finned construction allowing thermal transfer from the electrical compartment to the exterior surfaces through convection heat transfer assuring a lasting reliable electrical gear.

C...Midsection

Cast aluminum midsection is designed to dissipate the heat energy away from the lamp compartment separating the optical cavity from the integral ballast housing assuring a cool operation.

D...Optical System

Optics are designed to deliver high fixture efficiencies and the maximum foot candle levels to the floor at mounting heights above 20'. The field adjustable socket bracket has three settings concentrated, medium, and wide which allows the distribution to be optimized for the application.

E...Lamp and Ballast System

Lamps available in a range from 150-250 watts in both standard and pulse start metal halide and 52-168 watts in compact fluorescent. High power factor ballast with class H insulation minimum starting temperature is -30°C (-20°F) for MH, and MP.

F...Finish

Housing components are finished in a five-stage cleaning and corrosion pretreatment system and coated and baked with a premium TGIC polyester powder providing superior protection against fading and peeling. Standard colors include white, grey, black, bronze, graphite metallic, and dark platinum. RAL or custom color matches available.



AIM AVID MEDIUM

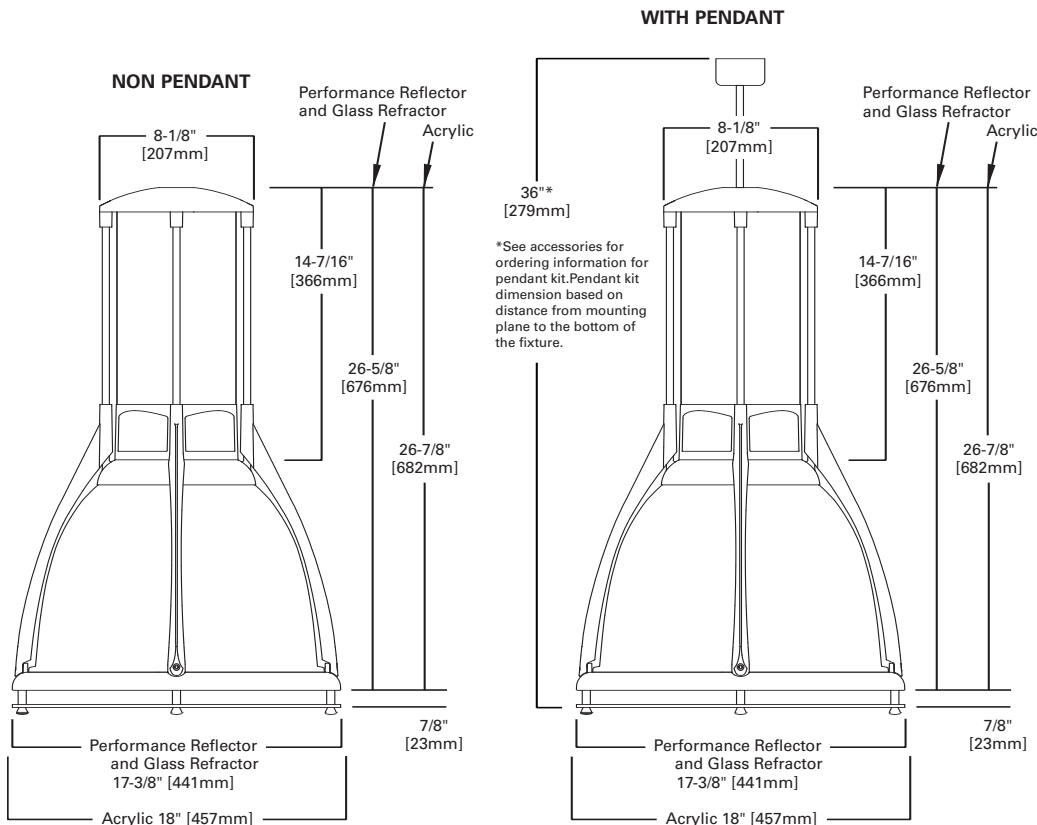
1 5 0 - 2 5 0 W
Metal Halide

5 2 - 1 6 8 W
Compact Fluorescent

DECORATIVE HIGH-BAY
LUMINAIRE

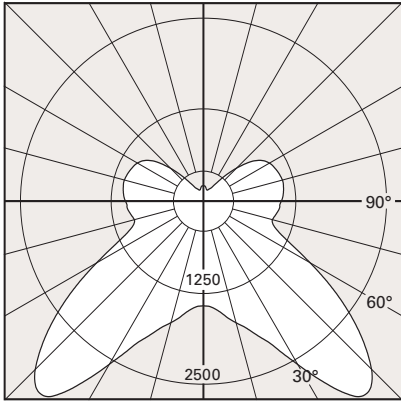
DIMENSIONS

INTEGRAL MOUNT



TECHNICAL DATA
40°C Ambient Environment

PHOTOMETRICS



AIM-250-MH-A16-W
250-Watt Coated Metal Halide 16" Performance Reflector, Wide Distribution, 19,800-Lumen Lamps

Coefficients Of Utilization

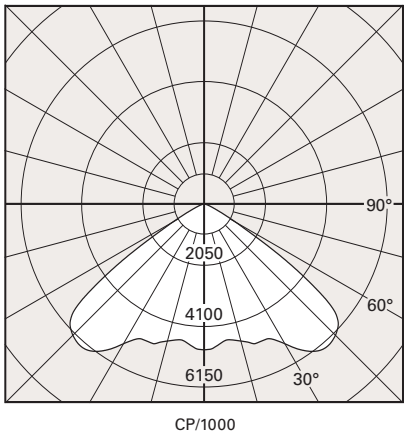
rc	Effective floor cavity reflectance 20%																				
	80%				70%				50%				30%				10%				0%
	rw	70	50	30	10	70	50	30	10	50	30	10	50	30	10	50	30	10	0		
RCR																					
1	83	79	74	70	78	74	70	67	66	63	60	58	56	54	51	49	48	44			
2	75	67	61	56	70	64	58	53	56	52	48	50	46	43	44	41	38	35			
3	68	58	51	45	63	55	49	43	49	44	39	43	39	35	38	35	32	29			
4	62	51	43	38	58	48	41	36	43	37	33	38	33	30	33	29	26	24			
5	56	45	37	32	53	43	35	30	38	32	28	33	29	25	29	25	22	20			
6	51	40	32	27	48	38	31	26	34	28	23	30	25	21	26	22	19	17			
7	47	36	28	23	44	34	27	22	30	24	20	27	22	18	24	20	16	14			
8	44	32	25	20	41	31	24	19	27	22	18	24	19	16	21	17	14	12			
9	41	29	22	17	38	28	21	17	25	19	15	22	17	14	19	15	13	11			
10	38	27	20	15	35	25	19	15	23	17	14	20	16	12	18	14	11	9			

Candlepower

Degree	CP
0	1422
5	1454
15	1711
25	2125
35	3104
45	3233
55	2228
65	1251
75	972
85	1041
90	1058
95	1090
105	1112
115	1070
125	967
135	633
145	286
155	181

Spacing Criterion 2.1

Zone	%Lamp	Zone	%Lamp
0-30	8.3	0-90	58.0
0-40	18.1	90-180	25.8
0-60	40.6	Total	83.8



AIM-250-MH-G16-W
250-Watt Clear Metal Halide 16" Glass Refractor, Wide Distribution, 20,500-Lumen Lamps

Coefficients Of Utilization

rc	Effective floor cavity reflectance 20%																				
	80%				70%				50%				30%				10%				0%
	rw	70	50	30	10	70	50	30	10	50	30	10	50	30	10	50	30	10	0		
RCR																					
1	89	86	84	81	87	85	82	80	81	79	77	78	76	75	75	74	73	71			
2	82	77	72	68	80	75	71	67	72	69	66	70	67	64	68	65	63	61			
3	76	68	62	58	74	67	61	57	65	60	56	62	58	55	60	57	54	53			
4	69	61	54	49	68	60	53	49	58	52	48	56	51	48	54	50	47	45			
5	64	54	47	42	62	53	47	42	51	46	42	50	45	41	48	44	41	39			
6	59	48	42	37	57	48	41	36	46	40	36	45	40	36	44	39	36	34			
7	54	44	37	32	53	43	36	32	42	36	32	41	35	31	40	35	31	30			
8	50	39	33	28	49	39	33	28	38	32	28	37	32	28	36	31	28	26			
9	47	36	29	25	45	35	29	25	35	29	25	34	28	25	33	28	25	23			
10	43	33	27	22	42	32	26	22	32	26	22	31	26	22	30	25	22	21			

Candlepower

Degree	CP
0	4889
5	4782
15	4754
25	4992
35	6016
45	6228
55	3570
65	477
75	116
85	28
90	0

Spacing Criterion 1.8

Zone	%Lamp	Zone	%Lamp
0-30	20.2	0-90	80.6
0-40	38.6	90-180	0.0
0-60	77.3	Total	80.6

ORDERING INFORMATION

SAMPLE NUMBER: AIM-175-MH-MT-AC16-M-I-GM

AIM									
Product Family AIM=AVID Series Medium	Lamp Wattage HID 150=150W Medium Base 175=175W Mogul Base 250=250W Mogul Base Compact Fluorescent X=Number of Lamps X26=(2 or 4) 26W X32=(2 or 4) 32W X42=(2 or 4) 42W	Voltage 120=120V 208=208V 240=240V 277=277V 347=347V 480=480V	Optical System Borocillate Glass G16=16" Glass Refractor SG16=16" Shroud with Glass Refractor Aluminum A16=16" Performance Reflector ¹ Acrylic AC16=16" Clear Acrylic ²	Distribution N=Narrow M=Medium W=Wide X=Fixed Position ⁶	Ballast Housing I=Integral	Mounting Options Pendant ³ P=Pendant Mount ⁵ Cable SC=Cable Mount with Straight Power Cord ⁹ (Standard Length 120") CC=Cable Mount with Coiled Power Cord ⁹ (Standard Length 4'-10")	Finish BK=Black AP=Grey BZ=Bronze WH=White DP=Dark Platinum GM=Graphite Metallic	Options Q=Quartz Restrike (Hot Strike Only) ⁴ EM=Quartz Restrike with "Delay Relay" (Quartz lamp strikes at both hot and cold starts) ⁴ EM/SC=Emergency Separate Circuit ⁴ F1=Single Fuse F2=Double Fuse LL=Lamp Included OR=Open Rated Socket FGS=Frosted Glass Lens ¹⁰ CGL=Clear Glass Lens ¹⁰ DFR=Decorative Frosted Ring	Accessories AIM-I-PXX-XX ⁸ =Medium Pendant kit for integral ballast housing

NOTES: 1 Shroud comes standard with Performance Reflector. 2 Rated for 25°C ambient environments. 3 Pendant dimension refers to the distance from the mounting plane to the bottom of the fixture. 4 Quartz lamp 150W max. 5 Must order pendant kit separately, see accessories for ordering information. 6 Specify distance from mounting plane to the bottom of the fixture and finish. Example: All-I-P24-GM. 7 Specifications and dimensions subject to change without notice. 8 Specify X for lamp type CF. 9 Specify W for white cord, example: SCW. 10 Lens not available with Acrylic option.