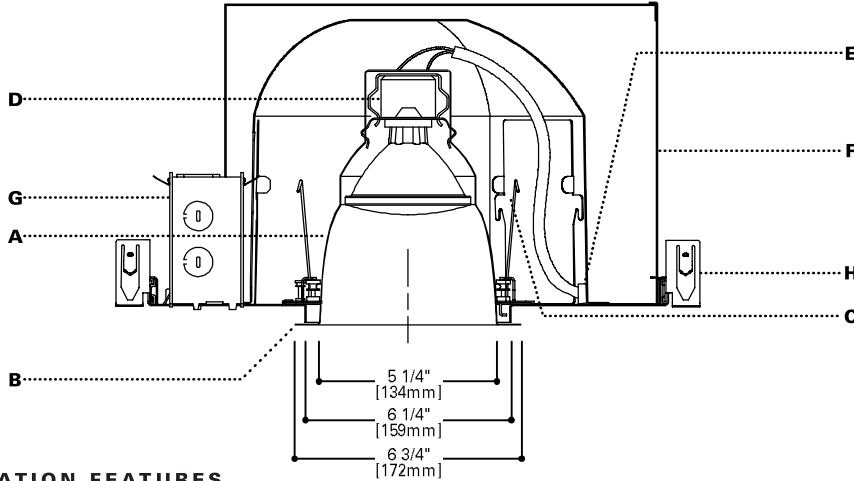


DESCRIPTION

Specification grade PAR30 fixture rated for direct contact with insulation. The 50° cutoff to lamp and lamp image provides a glare free, smooth distribution of light. Accommodates both short neck and long neck lamps. Halogen lamps provide

excellent color and long life. **Lamp module and optical element can be changed after installation to provide a variety of lamp sources and distributions. e.g. into a PAR36 Adjustable.**



SPECIFICATION FEATURES

A...Reflector

.040 thick aluminum spun parabolic reflector. Reflector is available in iridescent free Black, Clear, Gold, Haze, Warm Haze Alzak®, or painted gloss white finish. Special cone colors listed below.

B...Flange

Self flange reflector or die-cast flange with either matte white or clear coat finish. Die-cast flanges are easily removed for field painting. Elements are keyed for proper insertion.

C...Attachment

Positive torsion springs pull flange tight to ceiling. Mechanical light trap eliminates spill light at edge of flange or reflector.

D...Socket

Nickel plated porcelain socket. Two position socket ensures consistent lamp position.

E...Electrical

Keyed quick connect provides easy lamp module installation.

F...Frame/Housing

Hot dipped galvanized 20 gauge steel frame with built in 1/2 inch plaster lip. Gunsights allow for consistent alignment. Aluminum .032 thick housing allows for heat dissipation and reduces weight.

G...Junction Box

18 cubic inches, listed for 4#12 AWG or 6#14 AWG 90° C additional feed through conductors, has six 1/2 inch pryouts.

H...Bar Hangers

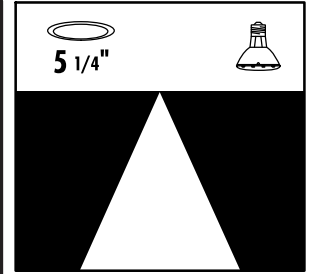
No Flex® bar hangers with positive locking, for use with wood, engineered wood and steel frame joists spaced up to 24" O.C. shipped with platform. For use in T-bar ceilings order accessory MBCLP. Nailless barb and locator lip provide consistent installation height.

Codes

Thermally protected, IP labeled, for use in direct contact with insulation. Meets Washington State Air tight requirements, 1995 CABO Model Energy Code.

Labels

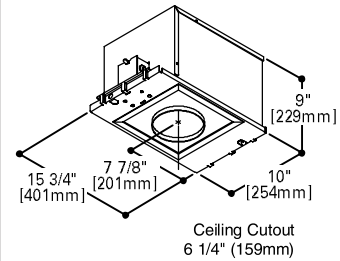
UL and cUL listed, standard damp label, IBEW union made.



**P5
M120
E5P30**

**75W PAR30 L
75W PAR30
100W R30
85W BR30**

5" DOWNLIGHT



ORDERING INFORMATION

Complete unit consists of a platform, module and element

Platform	Lamp Module	Optical Element	Finish	Flange	Accessories
P5	M120				
P5=5" Airtight IC Rated Housing	M120= 5" Medium Base Incandescent Socket	E5P30= 5" PAR 30 Downlight Reflector	Standard B=Black C=Clear H=Haze G=Gold WMH=Warm Haze W=Gloss White MW=Matte White Custom K=Cognac KH=Cognac Haze CC=Chocolate	Custom Cont. CCH=Chocolate Haze BU=Blush BUH=Blush Haze GP=Graphite GPH=Graphite Haze PN=Pine PNH=Pine Haze SK=Sky SKH=Sky Haze	Blank=White die-cast SF=Self Flange RAW=Natural Die-cast SFWF=Self Flange Painted White MBCLP=40 Push On T Bar Clips (for 10 Units) PLE5=Plaster Lip Extension for Max 2" Thick Ceiling FMC5=Flush Mount Collar

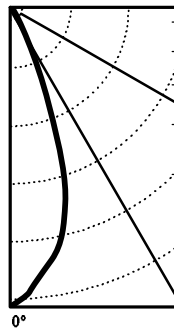
PHOTOMETRICS

P5-M120-E5P30C

Test No. H36100
 Lamp: 75PAR30/FL
 Lumens: 1100
 Cutoff: 50°
 Spacing: 0.5
 Efficiency: 94.1%
 Unit LPW: 13.90

Candelas	
Vertical Angle	CD
90	0
85	0
75	0
65	0
55	0
45	133
35	60
25	324
15	1858
5	2547
0	2776

Distribution



Luminance	
Degree	cd/m²
85°	0
75°	0
65°	0
55°	0
45°	13463

Cone of Light

Distance to Illuminated Plane	Initial Nadir Footcandles	Beam Diameter
4'6"	136	3'0"
5'6"	91	3'6"
6'6"	65	4'0"
8'0"	43	5'0"
10'0"	28	6'0"
12'0"	19	7'6"

Zonal Lumen Summary

Zone	Lumens	%Lamp	%Luminaire
0-30	914	83.1	88.3
0-40	956	87.0	92.4
0-60	1035	94.1	100.0
0-90	1035	94.1	100.0
90-180	0	0.0	0.0
0-180	1035	94.1	100.0

Coefficient of Utilization

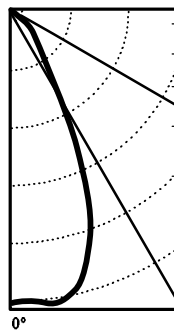
Ceiling Reflectance	80%				70%		50%		30%		0%
	70	50	30	10	50	10	50	10	50	10	0
Wall Reflectance	70	50	30	10	50	10	50	10	50	10	0
Room Cavity Ratio	0	112	112	112	112	110	110	105	105	100	100
1	109	107	105	103	105	102	101	99	97	96	91
2	105	102	99	97	97	92	98	94	95	92	89
3	102	98	95	93	97	92	95	91	93	89	87
4	99	95	91	89	94	88	92	87	90	86	84
5	97	91	88	85	91	85	89	84	88	83	82
6	94	89	85	82	88	82	87	82	86	81	80
7	91	86	82	79	85	79	84	79	83	78	77
8	89	83	79	77	83	77	82	76	81	76	75
9	87	81	77	74	80	74	79	74	79	74	71
10	84	78	75	72	78	72	77	72	77	72	71

P5-M120-E5P30C

Test No. H36103
 Lamp: 65BR30/FL
 Lumens: 770
 Cutoff: 50°
 Spacing: 0.8
 Efficiency: 81.6%
 Unit LPW: 13.90

Candelas	
Vertical Angle	CD
90	0
85	0
75	0
65	1
55	2
45	76
35	147
25	429
15	724
5	770
0	768

Distribution



Luminance	
Degree	cd/m²
85°	0
75°	0
65°	102
55°	275
45°	7703

Cone of Light

Distance to Illuminated Plane	Initial Nadir Footcandles	Beam Diameter
4'6"	38	4'0"
5'6"	25	5'0"
6'6"	18	5'6"
8'0"	12	7'0"
10'0"	8	9'0"
12'0"	5	10'6"

Zonal Lumen Summary

Zone	Lumens	%Lamp	%Luminaire
0-30	469	61.0	74.7
0-40	564	73.3	89.8
0-60	628	81.5	99.9
0-90	629	81.6	100.0
90-180	0	0.0	0.0
0-180	629	81.6	100.0

Coefficient of Utilization

Ceiling Reflectance	80%				70%		50%		30%		0%
	70	50	30	10	50	10	50	10	50	10	0
Wall Reflectance	70	50	30	10	50	10	50	10	50	10	0
Room Cavity Ratio	0	97	97	97	97	95	95	91	91	87	87
1	93	91	90	88	90	87	86	84	83	82	78
2	90	87	84	82	85	81	83	79	80	77	75
3	87	82	79	76	81	76	79	75	77	73	71
4	83	78	75	72	77	71	76	71	74	70	68
5	80	74	70	68	74	67	72	67	71	66	65
6	77	71	67	64	70	64	69	64	68	63	62
7	74	67	63	60	67	60	66	60	65	60	58
8	71	64	60	57	64	57	63	57	62	57	56
9	68	61	57	54	61	54	60	54	59	54	53
10	65	58	54	51	58	51	57	51	57	51	50

Notes and Formulas:

Luminance: To convert cd/m² to footlamberts, multiply by 0.2919

Cone of Light:

- Beam diameter is to 50% of maximum footcandles, rounded to the nearest half-foot.
- Footcandle values are initial. Apply appropriate light loss factors where necessary. See page 64-65 of catalog.

CU Notes/Formulas:

- maintained illuminance = $\frac{\text{lamp lumens} \times \text{CU} \times \text{light loss factors}}{\text{room area}}$
- total number of luminaires = $\frac{\text{total room area} \times \text{maintained illuminance}}{\text{lamp lumens} \times \text{CU} \times \text{light loss factors}}$
- CU data based on 20% effective floor cavity reflectance.

Note: Specifications and Dimensions subject to change without notice.

Visit our web site at www.cooperlighting.com

