

INVUE™ INSTALLATION INSTRUCTIONS

VFM TOP VISOR and FOUR SIDED SHIELD

Sheet 1 of 1

9/15/03

IMI-567

IMPORTANT: Read carefully before installing fixture. Retain for future reference.

General: Upon receipt of fixture thoroughly inspect for any freight damage, which should be brought to the attention of the delivery carrier. Compare the catalog description listed on the packing slip with the fixture label on the housing to assure you have received the correct merchandise.

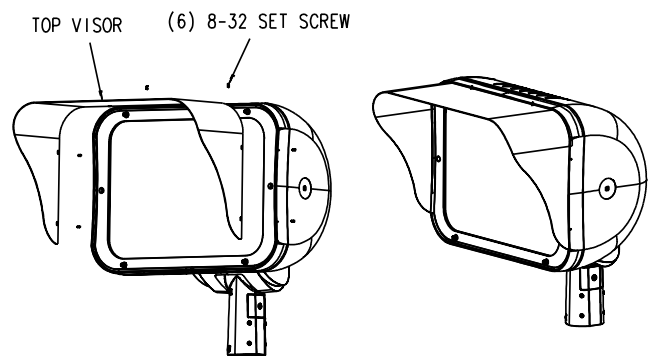
Safety: This fixture must be wired in accordance with the national electrical code and applicable local codes and ordinance. Proper grounding is required to insure personal safety. Carefully observe grounding procedure under installation section. All work should be done by a qualified electrician.



WARNING: Risk of Electric Shock. Disconnect power at fuse or circuit breaker before installing or servicing.

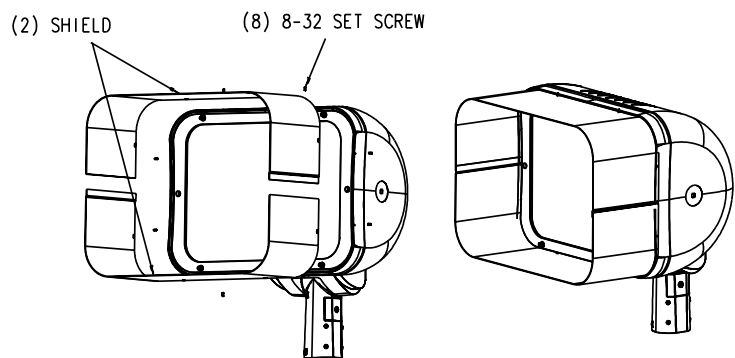
TOP VISOR INSTALLATION

1. Partially screw the (6) provided 8-32 SET SCREWS into the threaded holes in the top and sides of the fixture door.
2. Place the TOP VISOR into the groove in the fixture door.
3. Make sure the SET SCREWS and slots in the TOP VISOR are aligned then securely tighten the set screws.
4. Check to make sure the SET SCREWS pass through the slots in the TOP VISOR and provide a secure attachment.



FOUR SIDED SHIELD INSTALLATION

1. Partially screw the (8) provided 8-32 SET SCREWS into the threaded holes in the top and sides of the fixture door.
2. Place the SHIELDS into the groove in the fixture door.
3. Make sure the SET SCREWS and slots in the SHIELDS are aligned then securely tighten the set screws.
4. Check to make sure the SET SCREWS pass through the slots in the SHIELDS and provide a secure attachment.



These instructions do not claim to cover all details or variations in the equipment, procedure, or process described, nor to provide directions for meeting every possible contingency during installation, operation or maintenance. When additional information is desired to satisfy a problem not covered sufficiently for user's purpose, please contact your nearest representative.