

DESCRIPTION

649 Direct/Indirect Trimmed Arm Mount Luminous Bowl.

Catalog #		Type
Project		
Comments		Date
Prepared by		

SPECIFICATION FEATURES

Material

Aluminum arm and wall canopy. Aluminum or cold rolled steel trim. Matte white acrylic bowl.

Finish

Standard: Natural Aluminum (NA). [Sustainable Design] Premium: Matte White (MW), Lacquered Satin Aluminum (SAL), Satin Chrome (SC), Polished Chrome (PC), Satin Brass (SB), Polished Brass (PB), Satin Copper (SCP), Polished Copper (PCP), Satin Nickel (SN), Lacquered Satin Nickel (SNL), Lacquered Satin Chrome (SCL), Polished Nickel (PN) or Custom Color (CC).

Optics

Refer to www.shaperlighting.com for complete photometrics.

Ballast

Integral electronic HPF, multi-volt 120/277V (347V Canada), thermally protected with end-of-life circuitry to accommodate the specified lamp wattage.

Lamp/Socket

Two (2) 26W or 32W (GX24q-3) 4-pin triple CFL lamps or two (2) 75W A-19 lamps. CFL socket injection molded plastic. INC socket fired ceramic rated for 660W-250V. Lamps furnished by others.

Installation

Supplied with a mounting plate with an integral tenon for a standard 4" J-box or plaster ring.

Options

Dimming Ballast - Contact factory for ballast options (DM), Top Louver - Contact Factory, Hand Painted Faux Alabaster Bowl (FB), Remote Emergency Battery - Supplied by others (REM). Damp Location (DL): All Painted Finishes, Lacquered Satin Chrome (SCL) and Lacquered Stain Nickel (SNL) finishes only. Energy Star Rating - Contact Factory. MRI Applications (INC only) - Contact Factory.

Labels

U.L. and C.U.L approved for indoor and damp location. See options for damp location finishing requirements.

Modifications

Shaper's skilled craftspeople with their depth of experience offer the designer the flexibility to modify standard wall luminaires for project specific solutions. Contact the factory regarding scale options, unique finishes, mounting, additional materials/colors, or decorative detailing.



649 SERIES

Interior Wall Luminaire
Direct/Indirect
Trimmed Arm Mount
Luminous Bowl



ORDERING INFORMATION

Sample Number: 649-INC/2/75-120V-PCP

--	--	--	--	--

Series

649 =Trimmed Arm Mount Luminous Bowl

Lamp

CFL/2 (26/32W-Triple)
INC/2/75

Voltage

120V
277V ¹
347V ¹

Finish


Standard
NA =Natural Aluminum
Premium
CC =Custom Color
MW=Matte White
PB =Polished Brass
PC =Polished Chrome
PCP =Polished Copper
PN =Polished Nickel
SAL =Lacquered Satin Aluminum
SB =Satin Brass
SC =Satin Chrome
SCL =Lacquered Satin Chrome
SCP =Satin Copper
SN =Satin Nickel
SNL =Lacquered Satin Nickel

Options


DL=Damp Location
DM=CFL Dimming Ballast ²
REM=Remote Emergency Battery ³
FB=Hand Painted Faux Alabaster Bowl

Notes:


- ¹ Available with CFL only.
- ² Consult the factory for available options.
- ³ Supplied by others.

 **SUSTAINABLE DESIGN**

Shaper has a long-standing history of offering environmentally-friendly fixtures. The copper and bronze alloys used in our exterior luminaires feature up to 98% recycled content, contribute less undesirable air emissions compared to painted aluminum and are easy to recycle.

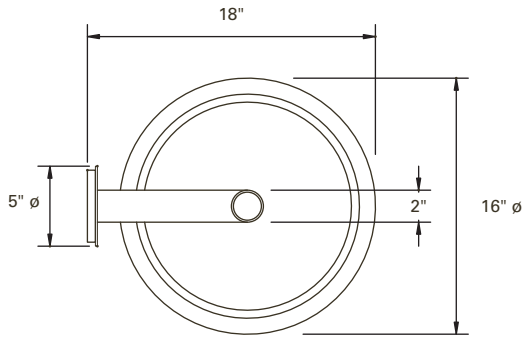
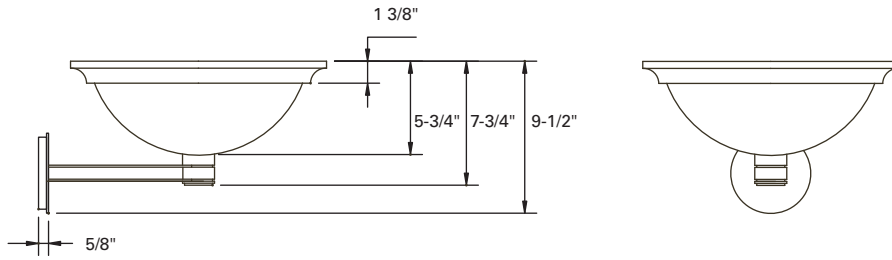
 **MAGNETIC RESONANCE IMAGING (MRI)**

Lighting fixtures for MRI facilities are specialized and unique, requiring non-ferrous construction. Fluorescent fixtures cannot be used due to the ferrous parts in ballasts and lampholders. Modified incandescent fixtures meet the requirements.

 **ENERGY STAR**

Shaper now offers a wide variety of fixtures that can be provided with an Energy Star Rating.

Refer to the Icon Legend Link on shaperlighting.com.



649 STANDARD