

DESCRIPTION

612-LB features a Luminous Bowl and the 612-SM features a Solid Bowl with an arm mount bracket.

Catalog #		Type
Project		
Comments		Date
Prepared by		

SPECIFICATION FEATURES

Material

Painted or plated cold-rolled steel base metal. Matte white acrylic bowl (612-LB). Optional hexcel louver. Natural aluminum, solid brass, stainless steel or painted steel trim ring.

Finish

Standard: Matte White (MW) or Matte Black (MB). Premium: Satin Chrome (SC), Polished Chrome (PC), Oxidized Brass (OBRS), Satin Brass (SB), Polished Brass, (PB) Satin Copper (SCP), Polished Copper (PCP), Satin Nickel (SN), Polished Nickel (PN), Lacquered Satin Chrome (SCL), Lacquered Satin Nickel (SNL), (NA) Natural Aluminum, (SAL) Lacquered Satin Aluminum or Custom Color (CC).

Optics

Asymmetric forward-throw reflector (300W Halogen Lamp only). Refer to www.shaperlighting.com for complete photometrics.

Ballast

Integral electronic HPF, multi-volt 120/277V (347V Canada), thermally protected with end-of-life circuitry to accommodate the specified lamp wattage.

Lamp/Socket

Two (2) 13W (2GX7) 4-pin low wattage CFL lamps, two (2) 26W (G24q-3) 4-pin quad CFL lamps, two (2) 60W A-19 lamps or one (1) 300WT3-RSC double-ended linear halogen lamp (612-SM only). CFL socket injection molded plastic. INC socket fired ceramic rated for 660W-250V. Lamps furnished by others.

Installation

Supplied with a universal circular strap for a standard 4" J-box or plaster ring.

Options

Hexcel Louver (HL), Hand Painted Faux Alabaster Bowl (612-LB only) (FB), Dimming Ballast (26W only) - Contact the factory for ballast options (DM),

Trim Ring (TR), Remote Emergency Battery - Supplied by others (REM), Damp Location (DL): All Painted finishes, Lacquered Satin Chrome (SCL), Lacquered Satin Nickel (SNL), finishes only. Energy Star Rating - Consult factory. MRI Applications (INC only) - Contact Factory.

Labels

U.L. and C.U.L. approved for indoor and damp location. See options for damp location finishing requirements.

Modifications

Shaper's skilled craftspeople with their depth of experience offer the designer the flexibility to modify standard wall luminaires for project specific solutions. Contact the factory regarding scale options, unique finishes, mounting, additional materials/colors, or decorative detailing.



612 SERIES

Interior Wall Luminaire Luminous and Solid Bowl with Arm Mount Bracket



ORDERING INFORMATION

Sample Number: 612-SM-CFL/2/26-277V-PCP

Series 612-LB = Luminous Bowl w/ Arm Mount Bracket 612-SM = Solid Bowl w/ Arm Mount Bracket	Lamp CFL/2/13 CFL/2/26 INC/2/60 HAL/1/300 ¹	Voltage 120V 277V ² 347V ²	Finish NA=Natural Aluminum SAL=Lacquered Satin Aluminum <u>Standard</u> MB=Matte Black MW=Matte White <u>Premium</u> CC=Custom Color OBRS=Oxidized Brass PB=Polished Brass PC=Polished Chrome PCP=Polished Copper PN=Polished Nickel SB=Satin Brass SC=Satin Chrome SCL=Lacquered Satin Chrome SCP=Satin Copper SN=Satin Nickel SNL=Lacquered Satin Nickel	Options DL=Damp Location DM=CFL Dimming Ballast ^{3,4} REM=Remote Emergency Battery ⁵ FB=Hand Painted Faux Alabaster Bowl ⁶ HL=Hexcel Louver TR=Trim Ring
--	---	--	---	--

Notes:

- ¹ 612-SM only.
- ² Available with CFL only.
- ³ Not available in 13W.
- ⁴ Consult the factory for available options.
- ⁵ Supplied by others.
- ⁶ Luminous Bowl only.

SUSTAINABLE DESIGN

Shaper has a long-standing history of offering environmentally-friendly fixtures. The copper and bronze alloys used in our exterior luminaires feature up to 98% recycled content, contribute less undesirable air emissions compared to painted aluminum and are easy to recycle.

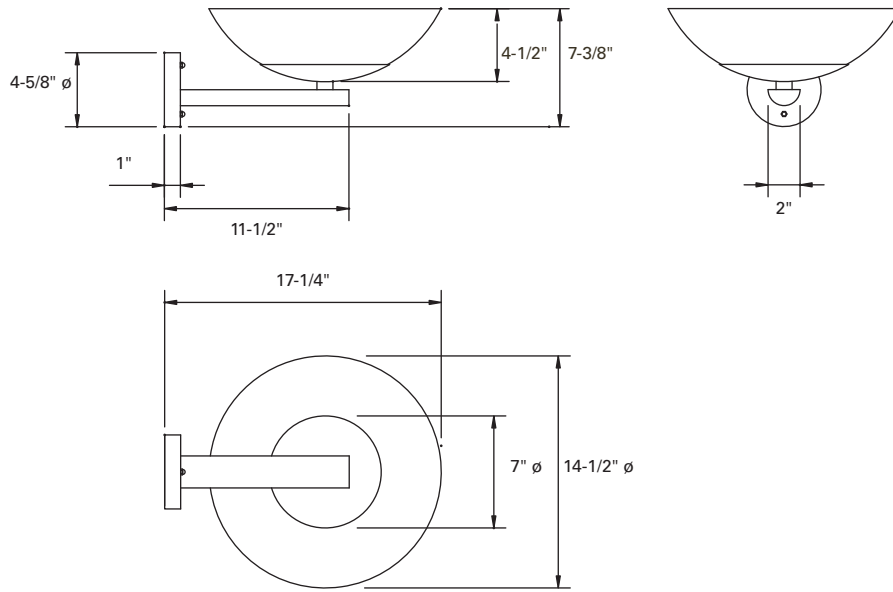
MRI MAGNETIC RESONANCE IMAGING (MRI)

Lighting fixtures for MRI facilities are specialized and unique, requiring non-ferrous construction. Fluorescent fixtures cannot be used due to the ferrous parts in ballasts and lampholders. Modified incandescent fixtures meet the requirements.

ENERGY STAR

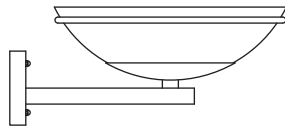
Shaper now offers a wide variety of fixtures that can be provided with an Energy Star Rating.

Refer to the Icon Legend
Link on shaperlighting.com.

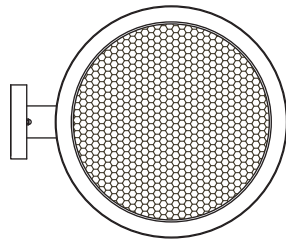


605 STANDARD

OPTIONS



TRIM RING (TR)



HEXCEL LOUVER (HL)