

**DESCRIPTION**

622 Arm Mount Luminous Cylinder features Three Accent Trim Bars.

<b>Catalog #</b>		<b>Type</b>
<b>Project</b>		
<b>Comments</b>		<b>Date</b>
<b>Prepared by</b>		

**SPECIFICATION FEATURES**

**Material**

Solid brass or aluminum housing and decorative trim. Matte white acrylic 4" dia. luminous cylinder.

**Finish**

Standard: Natural Aluminum (NA). [Sustainable Design]  
Premium: Matte White (MW), Satin Chrome (SC), Polished Chrome (PC), Satin Brass (SB), Polished Brass (PB), Oxidized Brass (OBRS), Lacquered Satin Aluminum (SAL), Satin Copper (SCP), Polished Copper (PCP), Satin Nickel (SN), Polished Nickel (PN), Lacquered Satin Chrome (SCL), Lacquered Satin Nickel (SNL) or Custom Color (CC).

**Optics**

Refer to [www.shaperlighting.com](http://www.shaperlighting.com) for complete photometrics.

**Ballast**

Integral electronic HPF, multi-volt 120/277V (347V Canada), thermally protected with end-of-life circuitry to accommodate the specified lamp wattage.

**Lamp/Socket**

One (1) 18W (G24q-2) or 26W (G24q-3) 4-pin quad CFL lamp or one (1) 60W A-19 lamp. CFL socket injection molded plastic. INC socket fired ceramic rated for 660W-250V. Lamps furnished by others.

**Installation**

Supplied with a universal circular strap for a standard 4" J-box or plaster ring.

**Options**

Hand Painted Alabaster Faux Cylinder (FC), Dimming Ballast - Contact the factory for ballast options (DM), Remote Emergency Battery - Supplied by others (REM), Damp Location (DL): All Painted Finishes, Lacquered Satin Chrome (SCL), Lacquered Satin Nickel (SNL) finishes only. Energy Star Rating - consult factory. MRI Applications (INC only) - Contact Factory.

**Labels**

U.L. and C.U.L approved for indoor and damp location. See options for damp location finishing requirements.

**Modifications**

Shaper's skilled craftspeople with their depth of experience offer the designer the flexibility to modify standard wall luminaires for project specific solutions. Contact the factory regarding scale options, unique finishes, mounting, additional materials/colors, or decorative detailing.



**622 SERIES**

Interior Wall Luminaire  
Starter Collection  
Arm Mount  
Luminous Cylinder



**ORDERING INFORMATION**

Sample Number: 622-CFL/1/18-277V-PCP



**Series**

622 = Arm Mount Luminous Cylinder

**Lamp**

CFL/1/18  
CFL/1/26  
INC/1/60

**Voltage**

120V  
277V <sup>1</sup>  
347V <sup>1</sup>

**Finish**

Standard  
NA = Natural Aluminum  
Premium  
CC = Custom Color  
MW = Matte White  
OBRS = Oxidized Brass  
PB = Polished Brass  
PC = Polished Chrome  
PCP = Polished Copper  
PN = Polished Nickel  
SAL = Lacquered Satin Aluminum  
SB = Satin Brass  
SC = Satin Chrome  
SCL = Lacquered Satin Chrome  
SCP = Satin Copper  
SN = Satin Nickel  
SNL = Lacquered Satin Nickel

**Options**

DL = Damp Location  
DM = CFL Dimming Ballast <sup>2</sup>  
REM = Remote Emergency Battery <sup>3</sup>  
FC = Hand Painted Faux Alabaster Cylinder

**Notes:**

- <sup>1</sup> Available with CFL only.
- <sup>2</sup> Consult the factory for available options.
- <sup>3</sup> Supplied by others.

**STARTER COLLECTION**

Shaper's exclusive Starter Collection fixtures are featured throughout the Shaper product line. The concept of offering highly styled, affordable fixtures was introduced over fourteen years ago and has become one of our fastest growing lines. The design premise, basic construction, clean lines and unadorned shapes are highly desirable in modern architectural environments.

**SUSTAINABLE DESIGN**

Shaper has a long-standing history of offering environmentally-friendly fixtures. The copper and bronze alloys used in our exterior luminaires feature up to 98% recycled content, contribute less undesirable air emissions compared to painted aluminum and are easy to recycle.

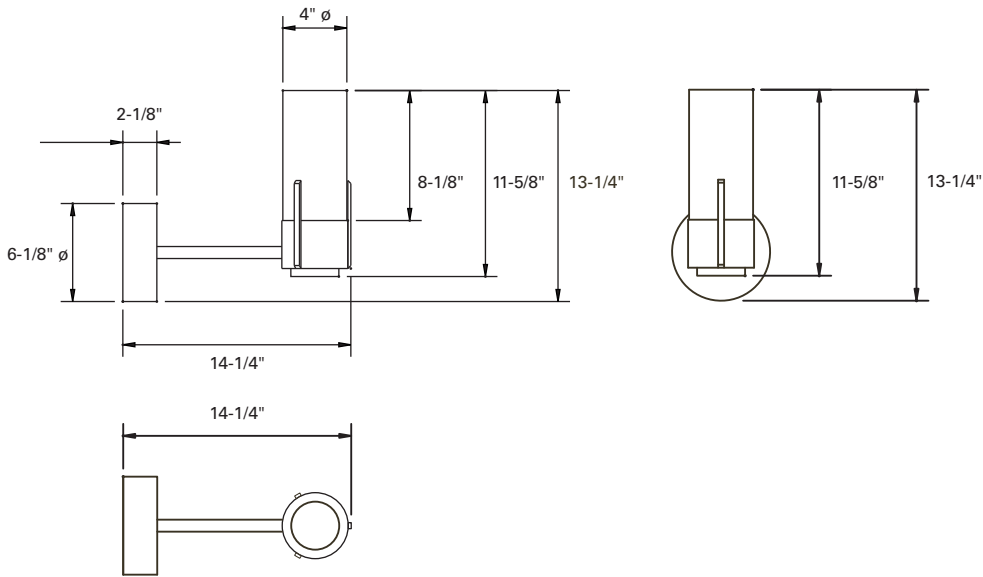
**MRI** MAGNETIC RESONANCE IMAGING (MRI)

Lighting fixtures for MRI facilities are specialized and unique, requiring non-ferrous construction. Fluorescent fixtures cannot be used due to the ferrous parts in ballasts and lampholders. Modified incandescent fixtures meet the requirements.

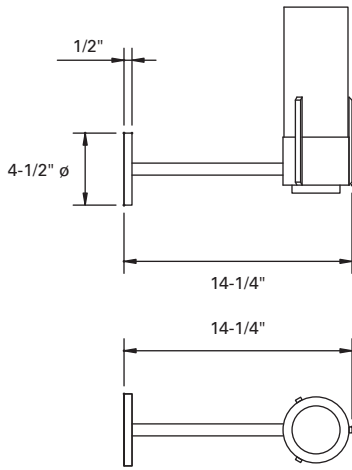
**ENERGY STAR**

Shaper now offers a wide variety of fixtures that can be provided with an Energy Star Rating.

Refer to the Icon Legend Link on [shaperlighting.com](http://shaperlighting.com).



622 CFL



622 INC