

DESCRIPTION

Fail-Safe designed its HVH Series as an unbreakable, low wattage alternative to the destruction suffered by many of the commercial market's low mounted, easily accessed exterior lighting fixtures. Double gaskets and one-piece construction of both the UV stabilized polycarbonate refractor and corrosion resistant cast aluminum housing, enable the HVH Series to survive where other fixtures cannot.

The HVH Series is specifically designed for use in public access areas where vandalism may occur. Ideal for building perimeters, corridors, stairwells, schools and dormitories.

SPECIFICATION FEATURES

A ... Lens

Nominal .156 UV stabilized, injection molded, impact resistant, clear K12 prismatic polycarbonate refractor for high efficiency, low surface brightness and maximum strength.

B ... Fasteners

Captive, stainless steel tamperproof TORX® -head screws prevent unauthorized access.

C ... Housing

Heavy duty, corrosion resistant cast aluminum housing withstands impact and environmental abuse. Standard bronze polyester powder coat finish.

D ... Lamp

(By Others)

E ... Socket

Porcelain socket, copper screwshell, silicone braid, 150°C.

F ... Gasket

Non-shrinking, double baked neoprene gasketing seals out the environment.

G ... Ballast

NPF reactor ballast.

H ... Power Module

18 ga. CRS plug-in power tray for quick disconnection of electrical assembly eases maintenance.

Labels

U.L. listed, C.S.A. certified, standard wet label.

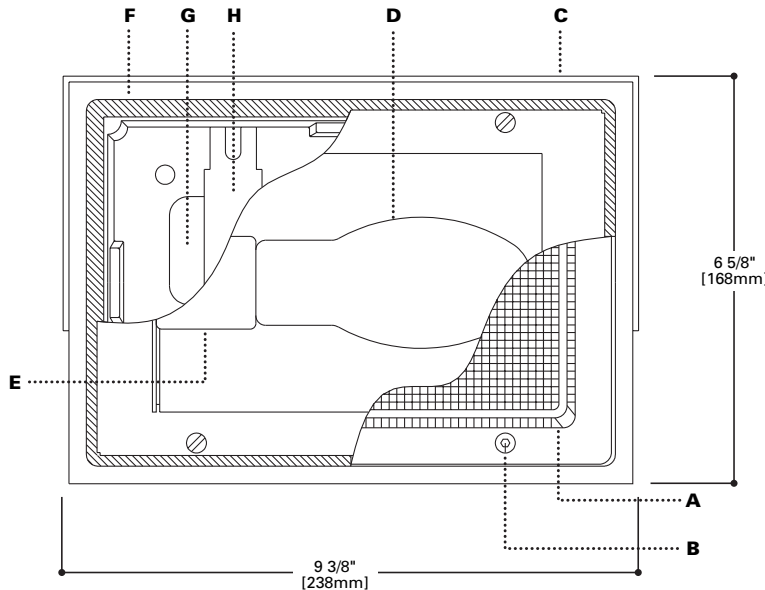


HVH

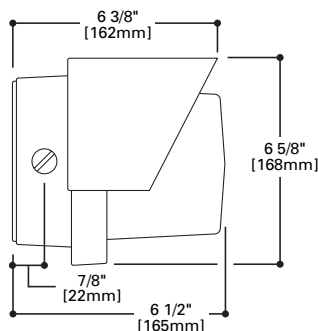
35W - 70W
High Pressure Sodium

50W
Metal Halide

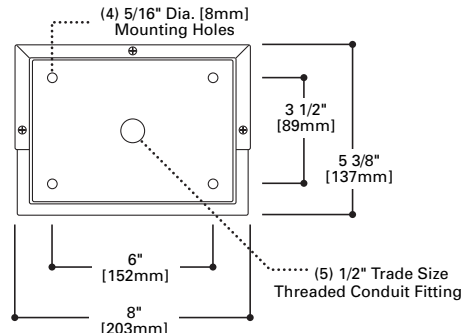
POLYCARBONATE
HIGH ABUSE LUMINAIRE
Clear Prismatic
Cast Aluminum
Surface Luminaire
w/Horizontal Mounting



SIDE DIMENSIONS



MOUNTING DIMENSIONS



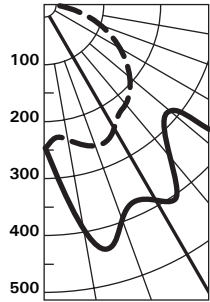
TORX® is a registered trademark of Camcar Division of Textron Inc.

ENERGY DATA

For Energy Management related technical data to support the performance of this fixture series, refer to the ordering information for input wattage.

PHOTOMETRICS

Candlepower Distribution



Test No. 2659.2
HVH
 Lamp=LU50/M
 No. Lamps=1
 Lumens=4000
 Efficiency=63.0%

--- I
 ——— II

Candlepower

Deg.	I	II
0	244	244
5	239	346
15	262	449
25	264	373
35	242	402
45	216	294
55	198	407
65	172	620
75	92	991
85	22	1287
90	13	1540

ORDERING INFORMATION

SAMPLE NUMBER: HVH-70S-277-OPL

Product Family	Series	Lamp Type	Voltage ¹	Options	Accessories (order separately)
HV	H				
HV =Cast Aluminum Surface Luminaire	H =Horizontal Mounting	35S =35W HPS Medium Base 50S =50W HPS Medium Base 70S =70W HPS Medium Base 50M =50W MH Medium Base	120 =120V 277 =277V	GLR =Single Fuse HPF =Capacitor for High Power Factor OPL =Opal Diffuser Housing Finishes Blank =Bronze (Standard) BLK =Black WHT =White	9205 =Photocell (for 120V) 9210 =Photocell (for 277V) VRSD =TORX®-Head Vandal Resistant Screwdriver

Notes:
 For additional options consult Cooper Lighting Representative.
 Specifications and Dimensions subject to change without notice.

¹ Products also available in non-US voltages and 50Hz for international markets. Consult your Cooper Lighting Representative for availability and ordering information.