

## DESCRIPTION

Fail-Safe designed the HUD Series with a vertical burn lamp and symmetrical distribution in wattages up to 175W MH as an unbreakable replacement answer to commercial fixtures which might succumb to vandalism. A corrosion resistant cast aluminum housing holds a polycarbonate diffuser which fastens with four tamper resistant screws to prevent unauthorized access. Double gasketing seals out the environment.

The HUD Series is specifically designed for use in public access areas where vandalism may occur. Ideal for building perimeters, parking structures, corridors, stairwells, schools and dormitories.

## SPECIFICATION FEATURES

### A ... Lens

Nominal .156 UV stabilized, injection molded, impact resistant, prismatic polycarbonate refractor for high efficiency, low surface brightness and maximum strength.

### B ... Fasteners

Captive, stainless steel tamperproof TORX® -head screws prevent unauthorized access.

### C ... Housing

Heavy duty, corrosion resistant cast aluminum housing withstands impact and environmental abuse. Standard bronze polyester powder coat finish.

### D ... Lamp

(By Others)

### E ... Socket

(For use with H.I.D. lamps)  
Porcelain socket, copper screwshell, silicone braid, 150°C.

### F ... Gasket

Non-shrinking, double baked neoprene gasketing seals out the environment.

### G ... Ballast

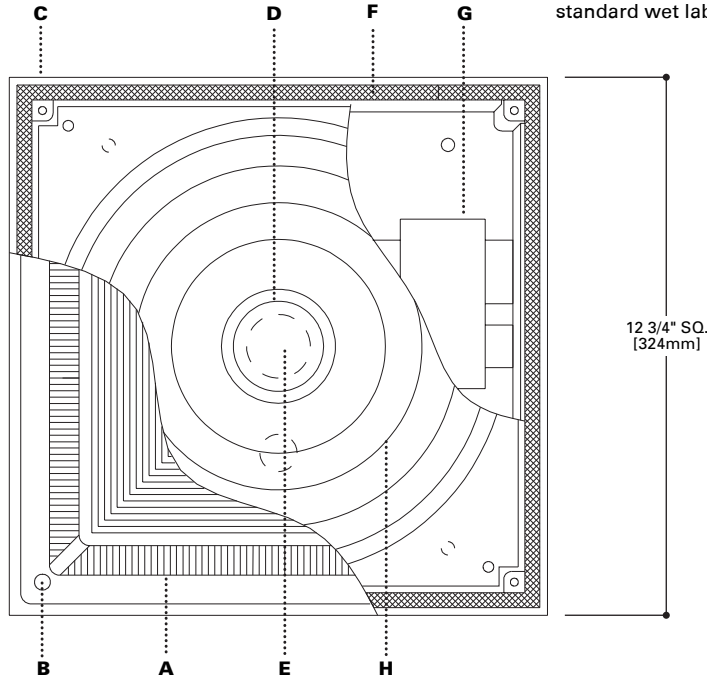
HPF core and coil.

### H ... Reflector

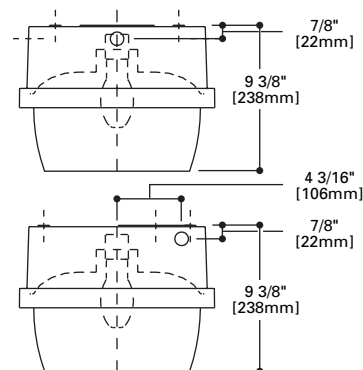
Spun .040 aluminum reflector provides symmetrical distribution. Baked white polyester powder coat finish; minimum reflectance: 93%.

### Labels

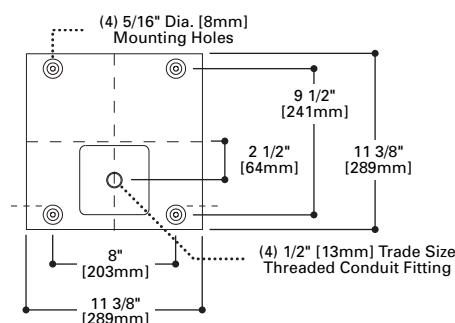
U.L. listed, C.S.A. certified, standard wet label.



## SIDE DIMENSIONS



## MOUNTING DIMENSIONS



TORX® is a registered trademark of Camcar Division of Textron Inc.



## HUD

**50W - 150W**  
High Pressure Sodium

**100W - 175W**  
Metal Halide

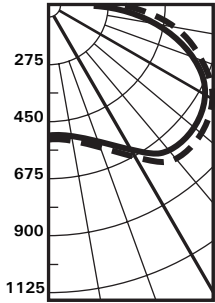
**POLYCARBONATE**  
**HIGH ABUSE LUMINAIRE**  
Clear Prismatic  
Cast Aluminum  
Surface Luminaire

## ENERGY DATA

For Energy Management related technical data to support the performance of this fixture series, refer to the ordering information for input wattage.

PHOTOMETRICS

Candlepower Distribution



Test No. 6585.1  
**HUD-100MH**  
 Lamp=MH100/U/MED  
 No. Lamps=1  
 Lumens=7600  
 Spacing Criteria  
 I = 2.1 II = 2.1  
 Efficiency=64.0%

--- I  
 ——— II

Candlepower

Deg.	I	II
0	513	513
5	512	510
15	543	546
25	595	584
35	708	687
45	769	800
55	770	770
65	690	692
75	582	588
85	344	363
90	122	138

Zonal Lumen Summary

Zone	Lumens	%Lamp	%Luminaire
0-30	484	6.4	10.0
0-40	935	12.3	19.3
0-60	2389	31.4	49.4
0-90	4440	58.4	91.8
90-180	395	5.2	8.2
0-180	4835	63.6	100.0

Coefficient of Utilization

rc	80%				70%			50%		30%		10%		0%
	70	50	30	10	50	30	10	50	10	50	10	50	10	0
<b>RCR</b>														
0	74	74	74	74	72	72	72	68	68	64	64	60	60	58
1	65	61	57	54	59	55	52	55	50	52	47	48	45	43
2	58	51	45	40	49	44	39	46	37	43	36	40	34	32
3	51	43	37	32	42	36	31	39	30	36	28	34	27	25
4	46	37	30	25	36	30	25	34	24	31	23	29	22	20
5	42	32	25	20	31	24	20	29	19	27	18	25	18	16
6	38	28	21	17	27	21	16	25	16	24	15	22	14	13
7	35	25	18	14	24	18	13	22	13	21	12	19	12	10
8	32	22	16	11	21	15	11	20	11	18	10	17	10	09
9	29	19	13	10	19	13	09	18	09	16	09	15	08	07
10	27	18	12	08	17	12	08	16	08	15	07	14	07	06

rc = Ceiling reflectance, rw = Wall reflectance, RCR = Room cavity ratio  
 CU Data Based on 20% Effective Floor Cavity Reflectance.

ORDERING INFORMATION

SAMPLE NUMBER: HUD-100S-277-QRS

<b>Product Family</b> HUD=Cast Aluminum Surface Luminaire	<b>Lamp Type</b> 50S=50W HPS Medium Base 70S=70W HPS Medium Base 100S=100W HPS Medium Base 150S=150W HPS Medium Base 50M=50W MH Medium Base 70M=70W MH Medium Base 100M=100W MH Medium Base 150M=150W MH Medium Base 175M=175W MH Medium Base  <b>Fluorescent Source</b> 213=(2) 13W Twin Tube <sup>3</sup> 313=(3) 13W Twin Tube <sup>3</sup> 226=(2) 26W Quad Tube 326=(3) 26W Quad Tube 132PLT=(1) 32W Triple Tube 232PLT=(2) 32W Triple Tube 142PLT=(1) 42W Triple Tube 242PLT=(2) 42W Triple Tube	<b>Voltage</b> <sup>1</sup> 120=120V 208=208V 240=240V 277=277V DT=Dual-Tap 120/277V MT=Multi-tap 120/208/240/277V	<b>Options</b> OPL=Opal Diffuser <sup>2</sup> QRS=Quartz Restrike System (DC bayonet base; lamp by others) QS=Quartz Socket Only (DC bayonet base) SF=Single Fuse DF=Double Fuse LL=Lamp Included  <b>Housing Finishes</b> Blank=Bronze (Standard) BLK=Black WHT=White	<b>Accessories</b> (Order Separately) VRSD=Torxhead Vandal Resistant Screwdriver 2802=Pendant Mounting Box 2811=Trunion Mounting Kit 2822=Quick Mounting Kit PB-120=Photocell 120V. PB-277=Photocell 277V
--	---	--	---	--

Notes: For additional options, consult your Cooper Lighting Representative. Specifications and Dimensions subject to change without notice.

<sup>1</sup> Products also available in non-US voltages and 50Hz for international markets. Consult your Cooper Lighting Representative for availability and ordering information.

<sup>2</sup> 150W Maximum.

<sup>3</sup> If 13W fixtures are ordered as electronic, lamps will be quad tube.