

## DESCRIPTION

The real workhorse in emergency lighting systems...these durable, reliable units are unparalleled in performance and provide freedom from maintenance.

The HR Series units provide a low cost, solid-state lighting system for applications in industrial, commercial, or multi-housing environments. High and Ultra High capacity makes them ideal for installations where a large number of heads/exits will be remotely operated.

## DIMENSIONS

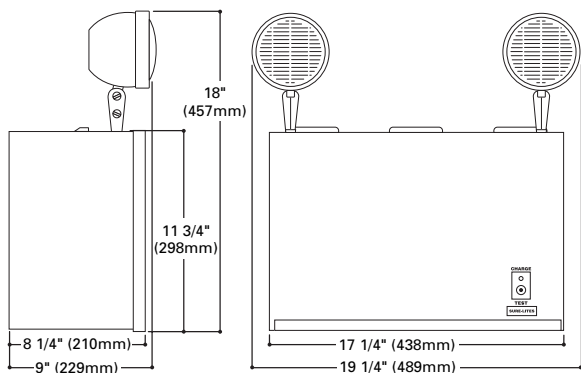


Figure 1. Ultra High Capacity

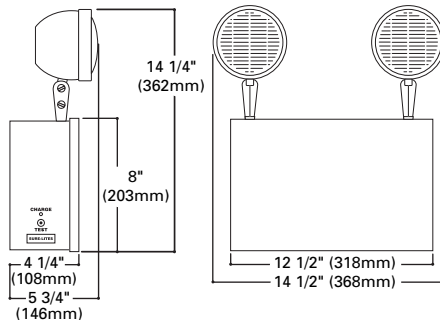


Figure 2. High Capacity



**HR87C**  
**HR117C**  
**HR12117C**

**Steel**  
**High Capacity**



**HR180C**  
**HR12170C**  
**HR12210C**  
**HR12360C**

**Steel**  
**Ultra-High Capacity**  
**CHICAGO CODE**  
**EMERGENCY LIGHTING**

## ELECTRICAL RATINGS

Model	Rated Wattage to 87 1/2% of Rated D.C. Voltage					Lamp Information			
	Type	DC Voltage	1 1/2 Hours	Lamp Watts	Remote Watts	Figure	Type	Wattage	Number
HR87C	SLC	6	87	24	63	1	Halogen	12	29-66
HR117C	SLC	6	117	24	93	1	Halogen	12	29-66
HR12117C	SLC	12	117	24	93	1	Halogen	12	29-45
HR180C	SLC	6	180	24	156	2	Halogen	12	29-66
HR12170C	SLC	12	170	24	146	2	Halogen	12	29-45
HR12210C	SLC	12	210	24	186	2	Halogen	12	29-45
HR12360C	SLC	12	360	24	336	2	Halogen	12	29-45

\*Batteries may be shipped separately.  
SLC=Sealed Lead Calcium

## ORDERING INFORMATION

SAMPLE NUMBER: HR87CTDM

Model Number	Options (add as suffix) Alternate Lamps <sup>(1)</sup>	Accessories (order separately)
HR87C	A=Ammeter	VK-1 =Voltmeter
HR117C	V=Voltmeter	3BRWH =Mounting Brackets, White Finish
HR12117C	TDM=Time Delay Monitor	2MSWH =Mounting Shelf, White Finish (For High Capacity Fixtures)
HR180C	Other Option <sup>(1)</sup>	3MSWH=Mounting Shelf, White Finish (For Ultra High Capacity Fixtures)
HR12170C		CSK120=Cord Set 120VAC
HR12210C		CSK277=Cord Set 277VAC
HR12360C		VS2=Polycarbonate Vandal Shield
		WG7=Wire Guard, For High Capacity Fixtures
		WG3=Wire Guard, For Ultra High Capacity Fixtures

## Energy Data

Model No.	Input Current (Max.):	
	120V	277V
HR87C	.50A	.21A
HR117C	.53A	.22A
HR12117C	.26A	.13A
HR180C	.98A	.43A
HR12170C	1.08A	.45A
HR12210C	1.02A	.47A
HR12360C	1.17A	.54A

<sup>(1)</sup> Consult your Cooper Lighting Representative.

- Dual-voltage input 120/277VAC, 60Hz
- 18 gauge die formed steel housing and cover
- White finish
- Two top mounted, fully adjustable, white, metal heads with die-cast swivel standard
- Sealed lead-calcium battery
- Knockout, conduit or cord set
- Remote capability
- Line-latching, Solid-State voltage limited charger, Solid-State switching, low-voltage disconnect, brownout circuit, overload/short-circuit protection, test switch/power indicator light
- UL 924 Listed, Life Safety NFPA 101, NEC/OSHA, most state and local codes
- City of Chicago approval Number 3238