



INSTALLATION INSTRUCTIONS^{V90033B}

ONE-POINT GRIPLOCK SERIES

Model: HANGING SYSTEM

Pre-Installation Preparation

*Read Installation Instructions completely before installation.
*Failure to follow Installation Instructions may void warranties.

1. Slide #10-32 Screw through Ceiling Coupler and 1 inch Washer.
2. Screw Toggle Nut in place on Screw using several turns. See Fig. 1.
3. Make 5/8 inch diameter hole through Ceiling. See Fig. 2.

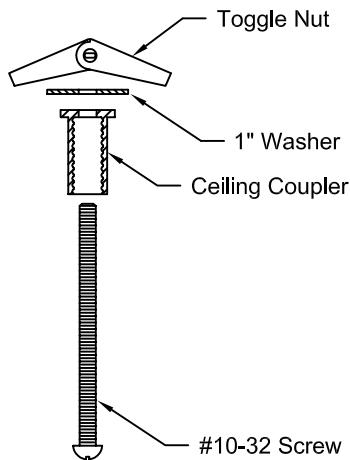


Figure 1

Hardware Mounting

1. Press Toggle Nut Closed and slide through 5/8 inch hole in Ceiling. See Fig. 2.
2. With Toggle Nut Expanded tighten Screw until Ceiling stays tight between Toggle Nut and Washer. See Fig. 3.
3. Screw Male Ceiling Coupler Cable Assembly into Ceiling Coupler. See Fig. 3.

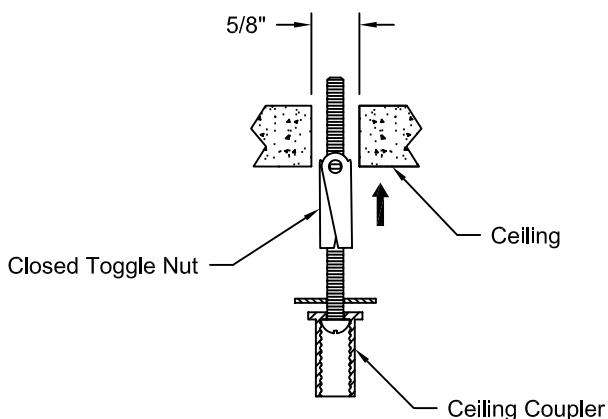


Figure 2

Hardware Mounting (Con't)

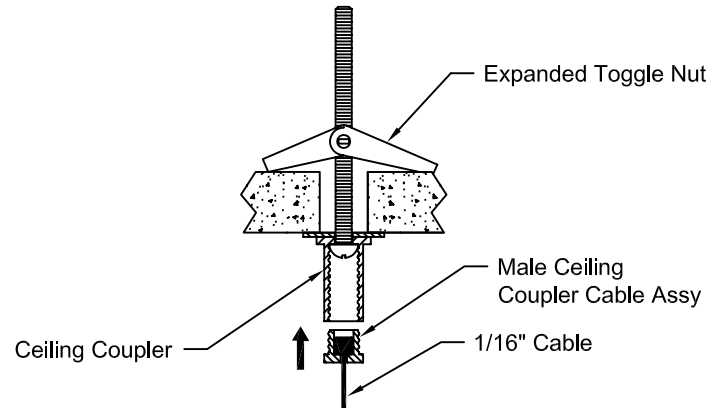


Figure 3

Fixture Mounting

1. Insert end of Cable into Griplock Glider Device installed on Fixture. See Fig. 4.
2. Pull Cable through to desired vertical height. See Fig. 5. Cut off any excess Cable length.

NOTE:

To adjust Cable in Griplock Glider Device depress Plunger and pull Cable through to desired length then release Plunger to lock Cable in place.

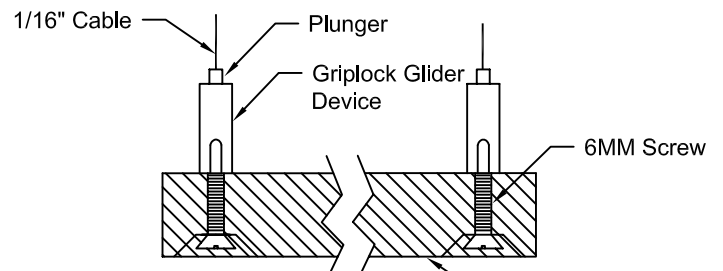


Figure 4

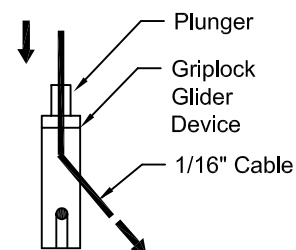


Figure 5