

DESCRIPTION

A lampholder designed for use with two energy efficient 32W triple twin tube compact fluorescent lamps. For use with Halo and Lazer-by-Halo track systems. Ideal for wallwashing in retail stores, public areas and other commercial spaces. For ceiling mounted track only. Not suitable for use with four circuit track.

SPECIFICATION FEATURES

A...Electrical Quick Lock Adapter

Trac plug attaches anywhere along Halo Power-Trac. Two position conductor allows use in single circuit and either circuit of two circuit track. Visual polarity line assures proper grounding. Large bearing surface provides extra stability.

B...Yoke

Pre-tensioned adjustment mechanism allows lampholder to pivot vertically from 0° to ±80° as well as rotate horizontally. Unobtrusive angle

indicators are provided to enable consistent aiming.

C...Housing

Solid aluminum extrusion with die-cast aluminum end caps. No exposed rivets or screw heads. Standard electronic ballast provides energy efficiency, light weight and silent operation.

D...Reflector

Specular reflector provides precise optical control and low iridescence.

E...Louver (Optional)

One piece injection molded

Catalog #		Type
Project		
Comments		Date
Prepared by		

louvers with unique curved profile available in Low Iridescent Specular Clear, White or Black. The parabolic louvers provide optimal brightness control and improve aesthetic appeal. Louver and reflector form a continuous light path with no gaps or obstructions.

Labels

UL listed and CSA certified for use with Halo and Lazer-by-Halo track and track systems.



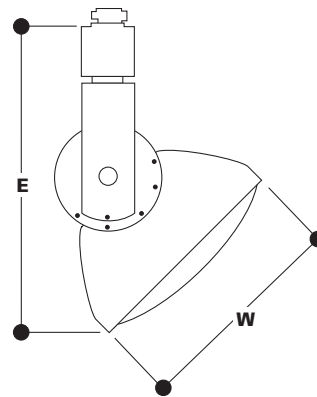
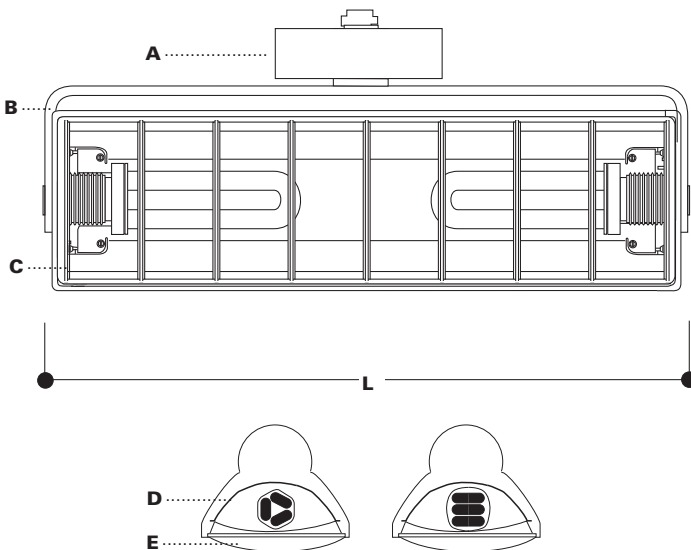
L3232E

**PARA TRAC
TRIPLE TWIN COMPACT
FLUORESCENT WALL
WASHER**
Power-Trac®

Energy Data

(2) 18W Triple Tube 4-pin
Ballast: Electronic, Two per fixture
120V Input Watts: 37W per ballast
Line Amps: 0.30A per ballast
Power Factor: >0.98%
THD: <10%
Min. Starting Temp: -0° F (-18° C)
Sound Rating: A

NOTES:
For additional options please consult factory.

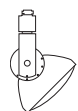


ORDERING INFORMATION

SAMPLE NUMBER: L3232EP-LVR3232SC

Complete unit consists of Lampholder and Finish (Louver is optional).

Lampholder	Finish	Louver (Optional)
L3232E		
L3232E=32W	P=White MB=Black	LVR3232P=White LVR3232MB=Black LVR3232SC=Specular



L3240E

For use with: Two 32W F32TTT Compact Fluorescent

L =16 15/16" [430mm]
W=6" [152mm]
E =8 1/16" [205mm]

NOTE: NOT FOR USE WITH 4-CIRCUIT TRACK.

COOPER LIGHTING

Test No. H20052

L3232E-LVR3232SC
Specular Louver
 Lamp=(2) 32W TTT
 Lumens=2,400
 45° Aiming Angle

Single Fixture 3' From Wall

DD	Distance From Fixture Along Wall					
	1'	2'	3'	4'	5'	6'
1	120	100	63	33	17	8
2	88	77	54	33	18	10
3	56	52	39	27	17	10
4	33	31	26	19	13	9
5	21	20	17	13	10	7
6	14	13	11	9	7	6
7	9	9	8	7	6	4
8	6	6	6	5	4	3
9	4	4	4	4	3	2
10	3	3	3	3	2	2

Multiple Fixtures 3' Distance From Wall

DD	Spacing Between Fixtures											
	3'			4'			5'			6'		
1	189	186	189	153	133	153	136	95	136	127	66	127
2	160	160	160	126	118	126	109	88	109	99	68	99
3	115	118	115	93	91	93	77	70	77	68	55	68
4	77	80	77	63	63	63	52	51	52	45	41	45
5	52	54	52	43	44	43	36	36	36	31	30	31
6	37	38	37	31	31	31	26	26	26	23	22	23
7	26	27	26	22	23	22	19	19	19	17	17	17
8	19	19	19	16	17	16	14	15	14	13	13	13
9	14	15	14	13	13	13	11	11	11	10	10	10
10	11	11	11	10	10	10	9	9	9	8	8	8

Single Fixture 4' From Wall

DD	Distance From Fixture Along Wall					
	1'	2'	3'	4'	5'	6'
1	69	62	46	30	18	10
2	61	55	43	29	19	12
3	45	42	34	25	18	12
4	31	30	26	20	15	11
5	21	21	18	15	12	9
6	15	14	13	11	9	7
7	10	10	9	8	7	6
8	8	7	7	6	5	4
9	6	5	5	4	4	3
10	4	4	4	4	3	2

Multiple Fixtures 4' Distance From Wall

DD	Spacing Between Fixtures											
	4'			5'			6'			7'		
1	106	105	106	91	81	91	82	62	82	76	47	76
2	102	100	102	85	78	85	76	62	76	70	49	70
3	84	84	84	70	68	70	60	54	60	55	44	55
4	65	66	65	55	54	55	47	45	47	42	37	42
5	48	50	48	41	41	41	35	35	35	31	29	31
6	36	37	36	31	31	31	27	27	27	24	23	24
7	27	28	27	23	24	23	20	21	20	18	18	18
8	21	21	21	18	19	18	16	16	16	14	14	14
9	16	16	16	14	14	14	13	13	13	11	11	11
10	12	13	12	11	11	11	10	10	10	9	9	9

Test No. H20054

L3232E-LVR3232P
White Louver
 Lamp=(2) 32W TTT
 Lumens=2,400
 45° Aiming Angle

Single Fixture 3' From Wall

DD	Distance From Fixture Along Wall					
	1'	2'	3'	4'	5'	6'
1	120	96	56	27	13	6
2	92	77	50	29	15	8
3	57	51	37	24	15	8
4	35	32	25	18	12	7
5	22	20	17	13	9	6
6	14	14	12	9	7	5
7	9	9	8	7	5	4
8	6	6	6	5	4	3
9	4	4	4	4	3	2
10	3	3	3	3	2	2

Multiple Fixtures 3' Distance From Wall

DD	Spacing Between Fixtures											
	3'			4'			5'			6'		
1	178	168	178	147	118	147	133	83	133	127	56	127
2	155	149	155	123	109	123	108	80	108	100	60	100
3	109	110	109	88	83	88	74	63	74	67	49	67
4	74	76	74	61	59	61	50	47	50	44	37	44
5	51	52	51	42	42	42	35	34	35	30	29	30
6	36	37	36	30	30	30	26	25	26	22	21	22
7	26	26	26	22	22	22	18	18	18	16	16	16
8	19	19	19	16	16	16	14	14	14	12	12	12
9	14	14	14	12	12	12	10	11	10	9	9	9
10	10	11	10	9	9	9	8	8	8	7	7	7

Single Fixture 4' From Wall

DD	Distance From Fixture Along Wall					
	1'	2'	3'	4'	5'	6'
1	67	59	42	26	14	8
2	65	56	41	27	17	9
3	46	42	33	23	16	10
4	32	31	25	19	13	10
5	22	21	18	14	11	8
6	15	15	13	11	8	6
7	11	11	9	8	7	5
8	8	8	7	6	5	4
9	6	6	5	4	3	3
10	4	4	4	4	3	2

Multiple Fixtures 4' Distance From Wall

DD	Spacing Between Fixtures											
	4'			5'			6'			7'		
1	98	92	98	84	70	84	77	53	77	73	40	73
2	100	93	100	84	72	84	76	56	76	71	44	71
3	81	78	81	67	63	67	59	50	59	54	40	54
4	62	62	62	52	50	52	45	41	45	40	33	40
5	46	47	46	39	38	39	34	32	34	30	27	30
6	35	35	35	30	29	30	26	25	26	23	21	23
7	26	27	26	22	23	22	20	20	20	18	17	18
8	20	21	20	18	18	18	15	15	15	14	13	14
9	16	16	16	14	14	14	12	12	12	11	11	11
10	12	13	12	11	11	11	10	10	10	9	9	9

Test No. H20053

L3232E-LVR3232MB
Black Louver
 Lamp=(2) 32W TTT
 Lumens=2,400
 45° Aiming Angle

Single Fixture 3' From Wall

DD	Distance From Fixture Along Wall					
	1'	2'	3'	4'	5'	6'
1	103	78	42	19	8	3
2	81	65	40	22	10	5
3	51	43	30	19	11	5
4	31	27	21	14	9	5
5	19	17	14	10	7	5
6	12	11	9	7	5	4
7	8	8	7	5	4	3
8	5	5	5	4	3	2
9	4	4	3	3	2	2
10	3	3	2	2	2	1

Multiple Fixtures 3' Distance From Wall

DD	Spacing Between Fixtures											
	3'			4'			5'			6'		
1	141	127	141	118	86	118	109	58	109	105	37	105
2	128	119	128	102	85	102	91	61	91	86	44	86
3	91	89	91	73	66	73	61	49	61	56	38	56
4	62	62	62	50	47	50	42	37	42	37	29	37
5	42	43	42	34	34	34	29	27	29	25	22	25
6	30	30	30	24	24	24	21	20	21	18	16	18
7	21	21	21	17	18	17	15	15	15	13	12	13
8	15	15	15	13	13	13	11	11	11	9	9	9
9	11	11	11	10	10	10	8	8	8	7	7	7
10	8	9	8	7	7	7	6	6	6	6	6	6

Single Fixture 4' From Wall

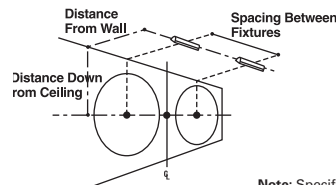
DD	Distance From Fixture Along Wall					
	1'	2'	3'	4'	5'	6'
1	57	48	32	18	9	5
2	56	47	33	21	12	6
3	41	36	28	19	12	7
4	29	26	21	15	11	8
5	19	18	15	12	8	6
6	14	13	11	9	7	5
7	10	9	8	7	5	4
8	7	7	6	5	4	3
9	5	5	4	4	3	2
10	4	4	3	3	2	2

Multiple Fixtures 4' Distance From Wall

DD	Spacing Between Fixtures											
	4'			5'			6'			7'		
1	76	68	76	67	51	67	62	37	62	59	26	59
2	80	73	80	68	55	68	62	42	62	59	32	59
3	67	63	67	56	49	56	49	38	49	46	31	46
4	51	50	51	43	40	43	37	32	37	34	26	34
5	38	38	38	32	31	32	28	26	28	25	21	25
6	29	29	29	24	24	24	21	20	21	19	17	19
7	22	22	22	18	19	18	16	16	16	14	13	14
8	17	17	17	14	14	14	13	12	13	11	11	11
9	13	13	13	11	11	11	10	10	10	9	8	9
10	10	10	10	9	9	9	8	8	8	7	7	7

Notes:

- Illuminance values for multiple fixtures are based upon the center two units of a four unit array. Footcandle values are centerline of fixtures and centered between fixtures. 1 footcandle = 10.76 lux. 1 foot(°) = 304.8mm.
- Footcandle Multipliers for 50W (4,000 lumens) = 1.27, for 55W (4,800 lumens) = 1.52
- Illuminance values are cosine corrected initial values with no contribution from inter reflections from other room surfaces. Total illumination may increase from contributions from other surfaces.
- Changing fixture spacing will affect illuminance level.
 $\frac{\text{Existing Spacing}}{\text{New Spacing}} \times \text{Average Table Fc Level}$



Note: Specifications and Dimensions subject to change without notice.

Visit our web site at www.cooperlighting.com