

DESCRIPTION

Round surface lighting in small circle and large circle shapes. Suitable for both wall and ceiling mount. Available in halogen and two lamp compact fluorescent.

Stunning simple lines mask the inner refinement of ETCHINGS Surface lighting. Use them in lobbies, reception areas, elevator pads, hallways and corridors. Other shapes include Portrait Rectangle, Landscape Rectangle, Square, and Ultra Landscape.

Catalog #	Type
Project	
Comments	
Prepared by	Date

SPECIFICATION FEATURES

A...Light Diffuser

Etched grid glass available in a variety of shapes.

B...Brackets

Heavy gauge die formed steel matte chrome finished brackets hold lamp shield securely, yet allow easy relamping.

C...Spring Loaded Top Bracket

Top bracket is spring loaded to allow easy relamping.

D...Lampholder Housing

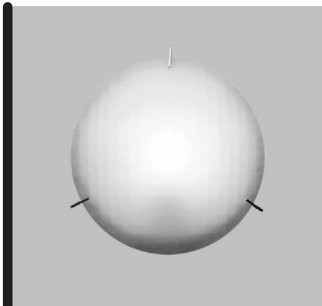
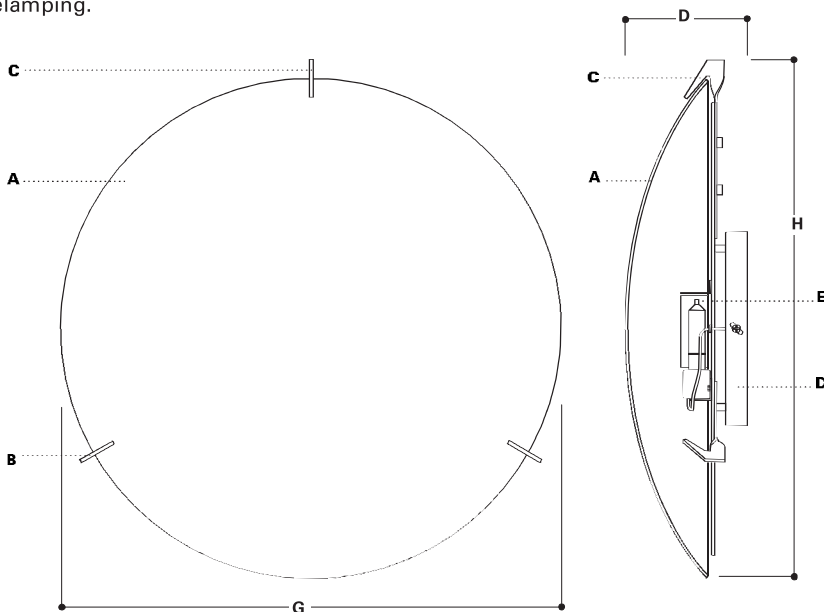
Solid steel mounting plate, with white painted finish. All necessary hardware included.

D...Glass Shield

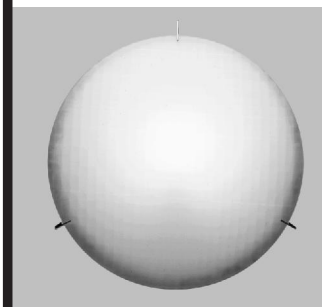
Glass shield supplied for use with T-4 quartz lamps.

Listings

UL listed and CSA certified. Meets ADA requirements with no more than 4" depth (H2526 only).



H2526 Small Circle



H2528 and H2529 Large Circle

**ETCHINGS
SMALL CIRCLE AND
LARGE CIRCLE
WALL SCONCES**

Surface Mount

ORDERING INFORMATION

SAMPLE NUMBER: H2526MC

Lampholders

Finish

H2526=Quartz
H2529=Incandescent
H2529=Compact Fluorescent

MC=Etched grid glass with matte chrome brackets



H2526

For use with:
100W T-4, (E-11) mini-can screw base
G = 11 1/2" [292mm]
H = 12 1/8" [308mm]
D = 4" [102mm]
Replacement Glass= G-2526

H2528

For use with:
100W T-4, (E-11) mini-can screw base
G = 17 3/8" [441mm]
H = 18" [203mm]
D = 4 1/2" [114mm]
Replacement Glass= G-2528

H2529

For use with:
(2)18W PL-C 4-pin compact fluorescent.
Electronic ballast—universal input voltage
120-277VAC 50/60 Hz
G = 17 3/8" [441mm]
H = 18" [457mm]
D = 4 1/2" [114mm]
Replacement Glass= G-2528

Scence Energy Data H2529

Lamp(s) (2) 18W quad 4-pin
Ballast Type: Electronic
120V Input Watts: 37
Line Amps: 0.32
Power Factor: >.99
THD: <10% (15°F)
Sound Rating: A

ADV023386

Note: Specifications and Dimensions subject to change without notice.

Visit our web site at www.cooperlighting.com