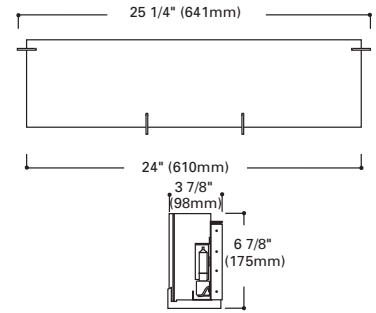




H2524 Ultra Landscape Rectangle Sconce

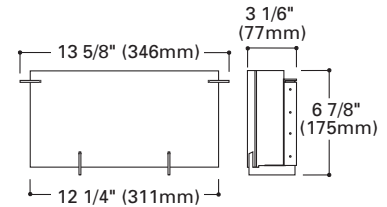
Finish: Matte Chrome (MC)
Lamp: Two 100W T-4 (E11) mini-candelabra base

Replacement Glass: G2524



H2520 Landscape Rectangle Sconce

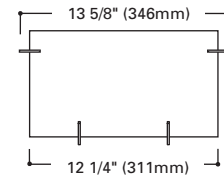
Finish: Matte Chrome (MC)
Lamp: 100W T-4 E-11 Mini candelabra screw base lamp
Replacement Glass: G2520



H2521 Portrait Rectangle Sconce

Finish: Matte Chrome (MC)
Lamp: 100W A19 Incandescent med. base, 100W BT15 Halogen

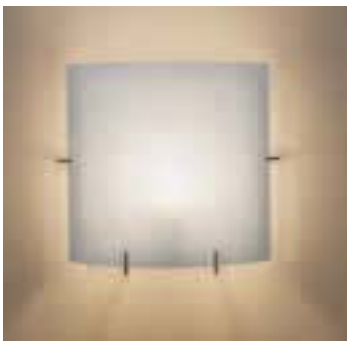
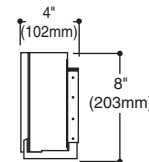
Replacement Glass: G2521



H2525 Portrait Rectangle Sconce with 120/277V Electronic Ballast

Finish: Matte Chrome (MC)
Lamp: Two 13W 4-pin DTT G24q-1 Compact Fluorescent Lamps

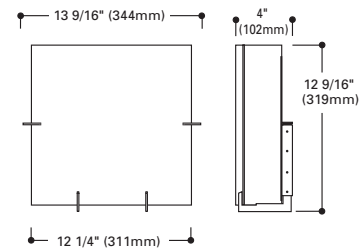
Replacement Glass: G2521



H2522 Square Sconce

Finish: Matte Chrome (MC)
Lamp: 100W A19 Incandescent, 100W BT15 Halogen

Replacement Glass: G2522



H2523 Square Sconce with 120/277V Electronic Ballast

Finish: Matte Chrome (MC)
Lamp: Two 18W DTT G24q-2 4-pin Compact Fluorescent

Replacement Glass: G2523

