

DESCRIPTION

Art glass pendants offer the opportunity to add a truly unique touch to lighting needs in both commercial and residential spaces. They can add a pleasant free flowing accent in reception or hospitality areas or they can be used for general lighting with their inviting pools of muted illumination. Large Blossom 120V pendants use 60W A19, A15 or G16.5 lamps. Four styles are available in small and large sizes.

Catalog #		Type
Project		
Comments		Date
Prepared by		

SPECIFICATION FEATURES

A ... Electrical Quick Lock Adapter - Power Trac

Polycarbonate housing. Attaches electrically and mechanically anywhere along Halo Power trac.

B ... Electrical Quick Lock Adapter - Flexible Track

Die Cast housing. Attaches electrically and mechanically anywhere along Flexible Track.

C ... Canopy - Surface Mount

Aluminum canopy. Attaches to standard junction box.

D ... Shade

Hand crafted art glass. Art Glass Shades may vary in color, pattern and shape due to their handmade nature. Slight imperfections add to their charm. Art Glass Shades are made in the United States of America.

E ... Finial

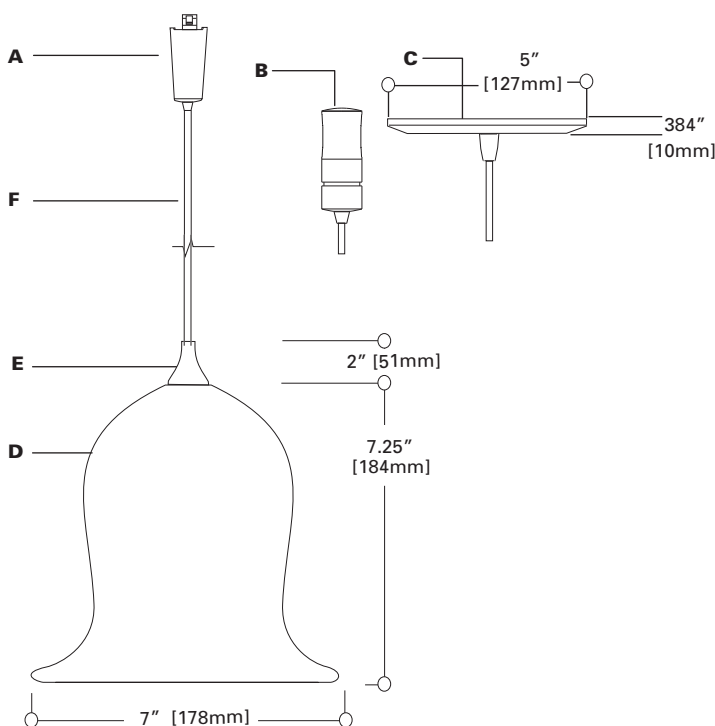
Machined brass finial.

F ... Cord

Field adjustable 6' long 18AWG clear-jacketed cord.

Labels

UL/c-UL Listed for use with Architectural Flexible Track, Halo Power-Trac, and Lazer.



LF1BSMLRG
L1BSMLRG
H1BSMLRG

Art Glass Line Voltage Pendant
Large Blossom
60W A19/A15/G16.5

Architectural Flexible Track
Power-Trac
Surface

Track L1= Halo Power-Trac LF1= Flexible Track H1=Surface Mount	BSM Style BSM=Blossom	Finial Finish AH=Aluminum Haze BRZ=Bronze (except LF1)	Lamp Type (not included) 19=A19, A15, G16.5	Adapter/Canopy Finish Blank=Same as Finial (LF1 only available in AH finish) Blank =Same as Finial BRZ=Bronze P=White MB=Black	LRG Shade Size LRG=Large	Shade Colors Blueberry= Blueberry Swirl Butterscotch=Butterscotch Twist Cherries=Cherries Jubilee Coconut-Tahitian Coconut Rocky=Rocky Road Spumoni=Spumoni
--	---	---	--	---	--	--