



# INSTALLATION INSTRUCTIONS V90122

## GRID MOUNTED ADJUSTABLE DOWNLIGHT

Model: FP-A, FP-B, FP-C



### Avoid Fire or Electric Shock



- \*Installation Instructions for qualified electricians only.
- \*Install per National Electrical Code and local regulations.
- \*Read Installation Instructions completely before installation.
- \*Failure to follow Installation Instructions may void warranties.

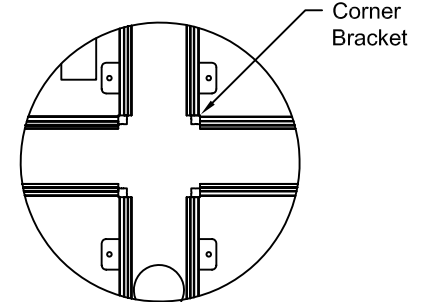
### Housing Connection

1. Unpack all Modules and locate identifying nomenclature tags.
2. Cut hole in rear cover of sprinkler modules as needed for plumbing.
3. Align Modules as shown, lining up ends with Corner Blocks with ends without Corner Blocks. See Fig. 1.

NOTE: DO NOT remove Corner Blocks. Corner Blocks removed by manufacturer for shipping were removed in a pattern that allows only one way of re-assembly.

4. Align Screw Holes in Corner Blocks with Screw Holes in Housing Extrusion. See Fig. 2.
5. Secure Modules together using 8-32 x 3/4 100° Special Flathead Screws provided in attached Hardware Package.

NOTE: Inside Corner Blocks require a Right Angle/Offset Screwdriver to install Screws.



Detail A  
(After Connection)

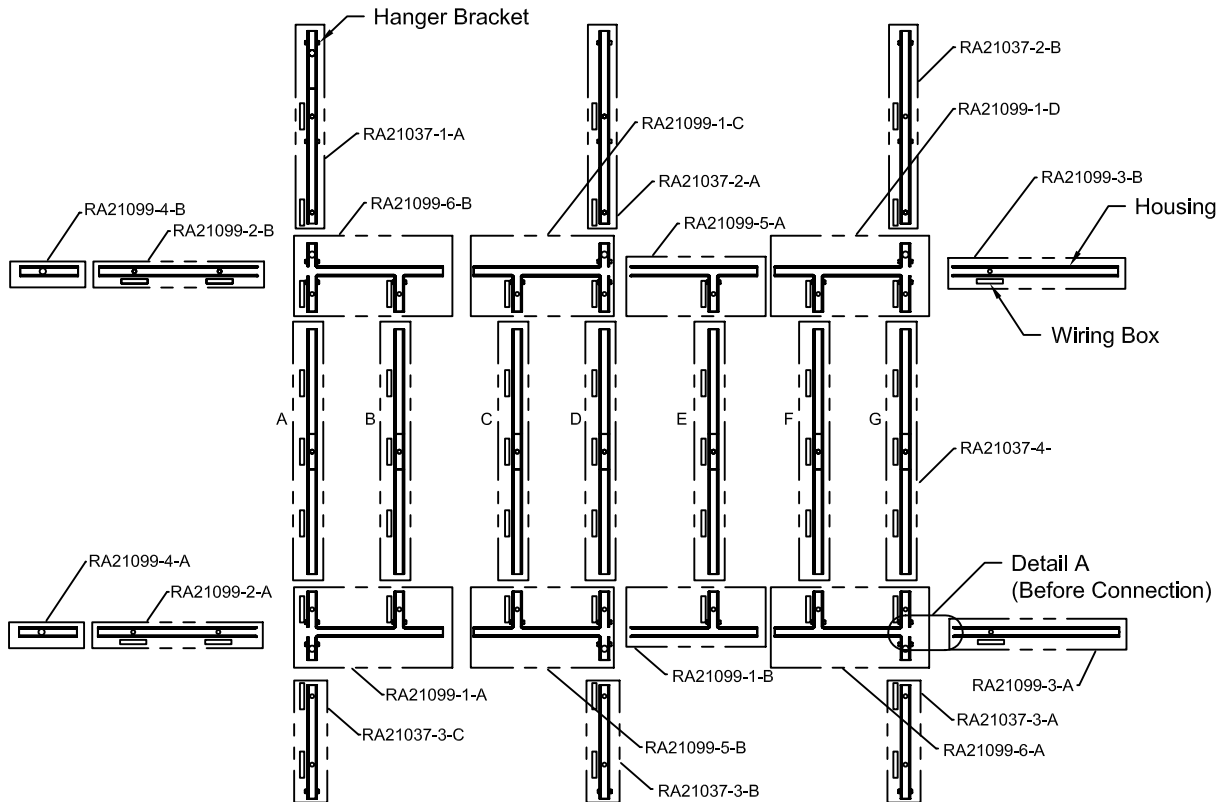


Figure 1

Visit our web site at: [www.rsalighting.com](http://www.rsalighting.com)



# INSTALLATION INSTRUCTIONS V90122

## GRID MOUNTED ADJUSTABLE DOWNLIGHT

Model: FP-A, FP-B, FP-C



### Housing Connection (Con't)

6. Align Connector Bars with Mating Holes in Straight Modules. See Fig. 3.
  7. Secure Modules together using #10 Flathead Screws at Connector Bars on both sides of Modules.
- NOTE: Connector Bars may be staggered to insure alignment with correct Mating Module.
8. Install Faceplates shipped separately by sliding in until seated against those already installed.

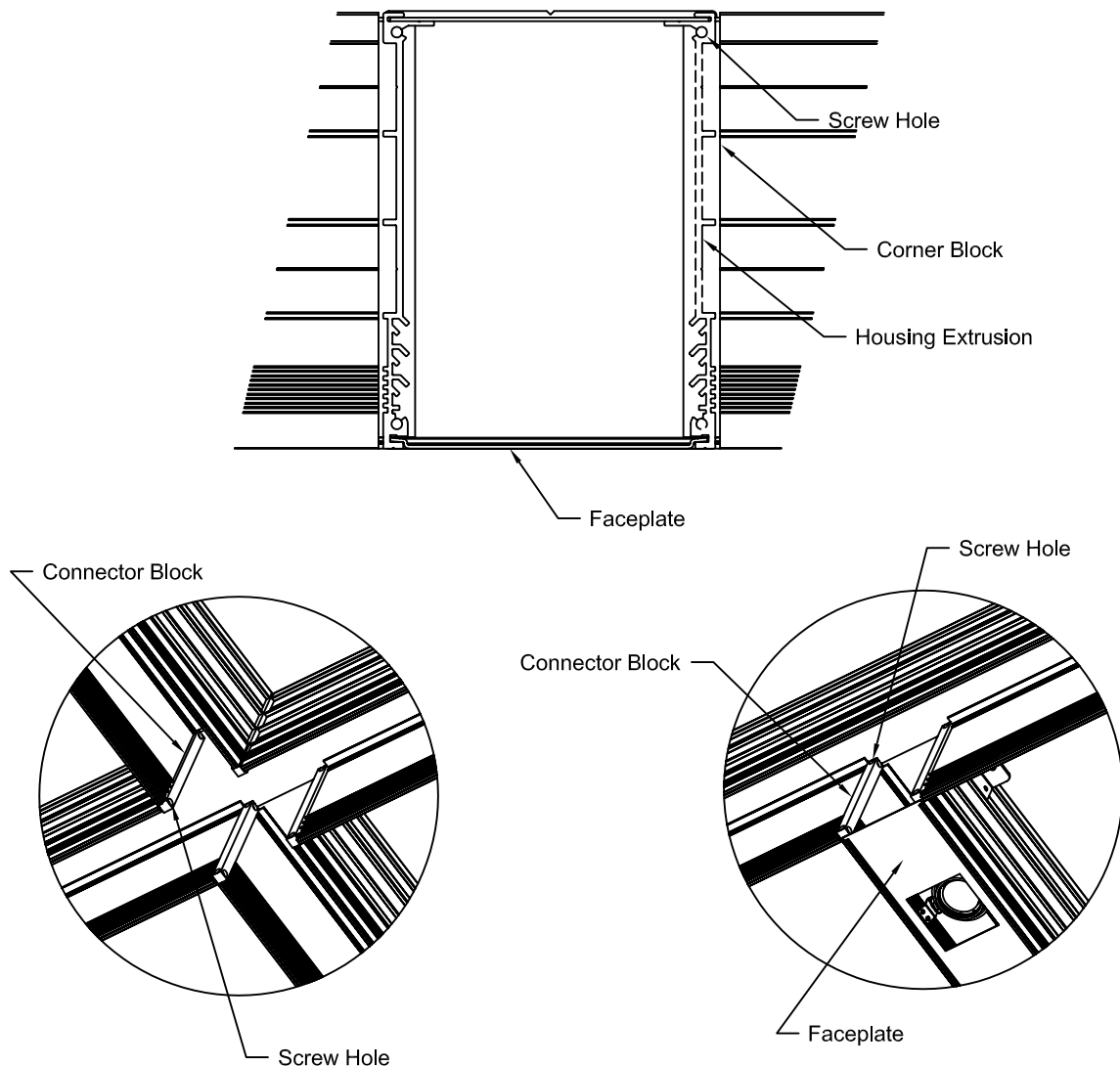


Figure 2  
(Corner Modules)  
Some Faceplates Removed for Clarity



# INSTALLATION INSTRUCTIONS V90122

## GRID MOUNTED ADJUSTABLE DOWNLIGHT

Model: FP-A, FP-B, FP-C



### Housing Connection (Con't)

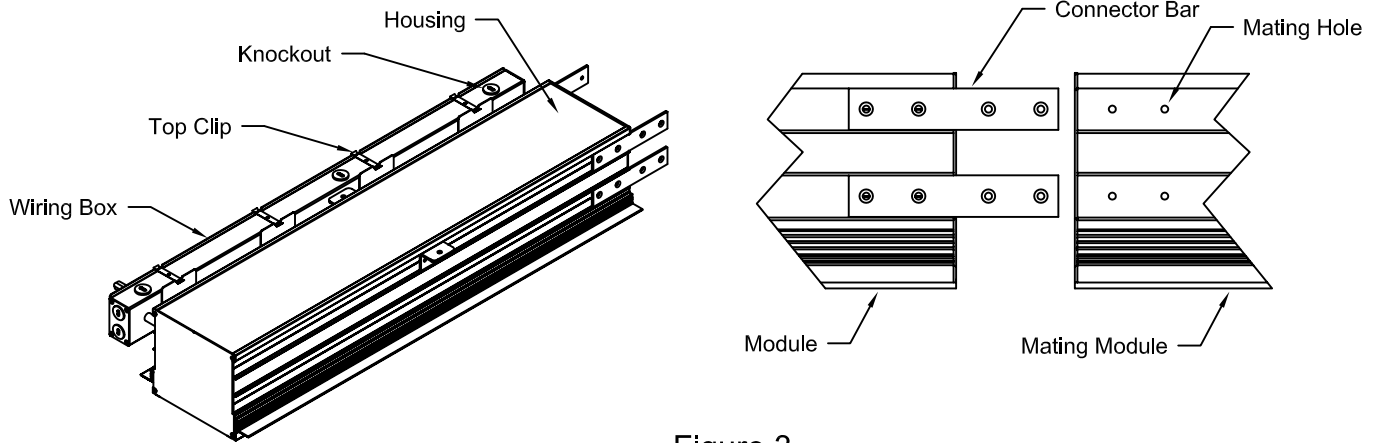


Figure 3  
(Straight Modules)

### Fixture Mounting

1. Install Mounting Brackets (By Others). See Fig. 4.
2. Hang Housing(s) from Hanger Brackets located on sides of Fixture(s) using 1/4-20 Screw. See Fig. 2 and Fig. 4.
3. Adjust elevation of Housing so that Adjustable Extrusion (set to 5/8" thickness at factory) will sit on top of installed Tile Ceiling and bottom of Housing walls match bottom of Tile Ceiling surface. See Fig. 4.
4. Install Tile Ceiling to edge of Housing. See Fig. 4.
5. Attach Mounting Brackets to Tee Bar as needed.

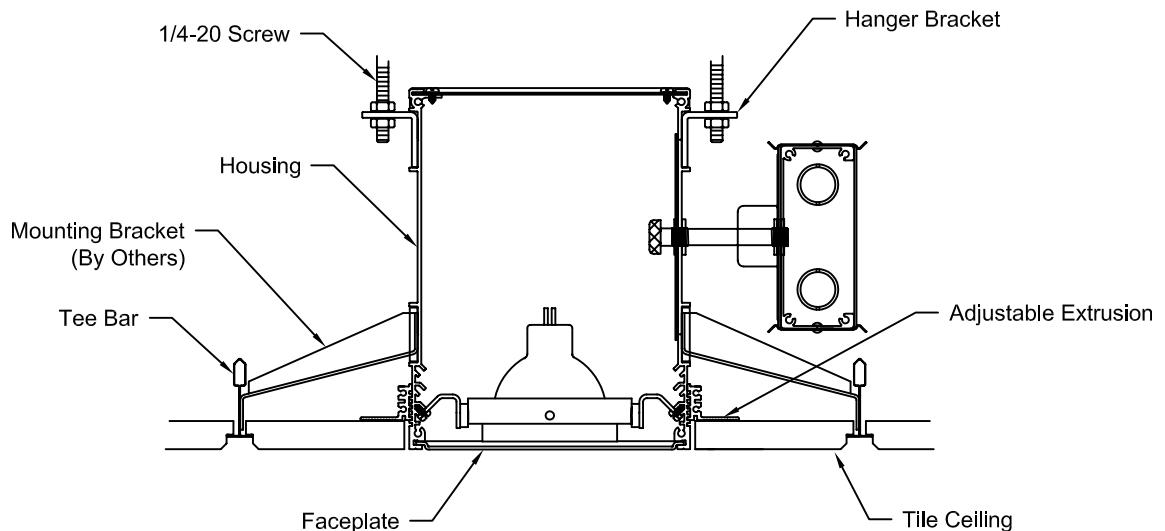


Figure 4



# INSTALLATION INSTRUCTIONS V90122

## GRID MOUNTED ADJUSTABLE DOWNLIGHT

Model: FP-A, FP-B, FP-C



### Transformer Access

1. Locate Transformer Access Door behind each Lamp Assembly. See Fig. 5.
2. Remove Lamp Assembly as necessary to reach Transformer Access Door.
3. Remove Two (2) Knurled Knobs at each side of Access Door. See Fig. 5.
4. Remove Transformer Access Door to access Transformer mounted to outside of Wiring Box.

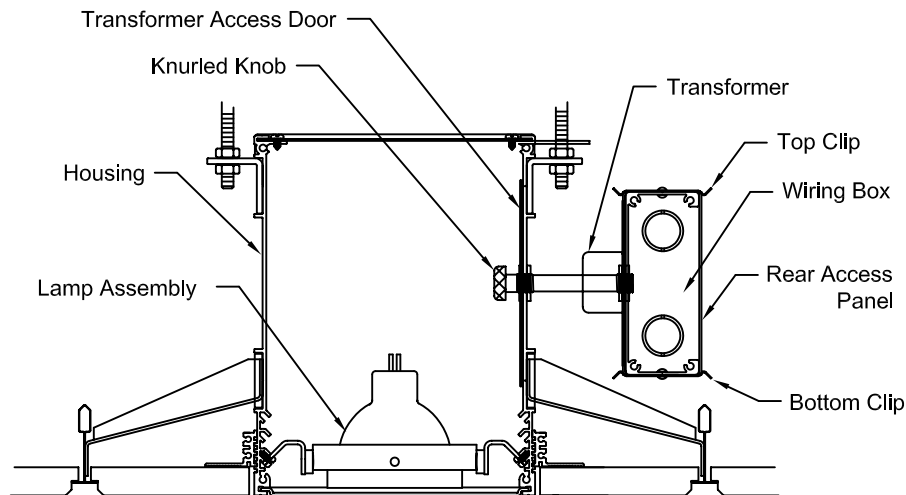


Figure 5

### Electrical Wiring

1. Turn OFF Electrical Service.
2. Connect Wiring Box to Electrical Service using Knockouts located at each end of Wiring Box and Knockout along top of Wiring Box as needed. See Fig. 3.
3. To remove Rear Access Panel(s) for inspection, lift Clips at Top and Bottom of Wiring Box. See Fig. 3 & Fig. 5.