

COMBOLIGHT® GALLERIA Series • CGWC

THREE (3) Light Wall Mount Swivel Column Fixture
 Grid Configuration "B" • Lamp Groups 1, 2, & 3
 Low Voltage, Line Voltage or Metal Halide for Remote Transformer/Ballast

Catalog #

Type

Project

DESCRIPTION:

A wall mounted fixture with a swiveling grid column.

CONSTRUCTION:

All aluminum construction. Grid is made of .75" square aluminum tubing with .062" wall thickness. Weight base adds stability to fixture.

LAMP ASSEMBLY:

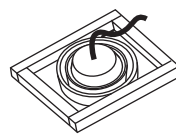
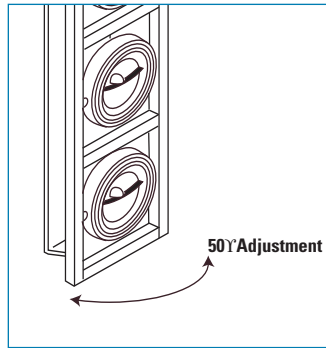
Three lamps mounted in adjustable double gimbal lamp holders. Dual axis 90° x 90° locking adjustability. Lamp column swivels 50°.

ELECTRICAL:

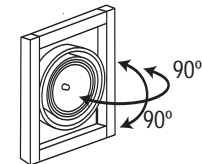
Low voltage and metal halide models are wired for use with remote transformers or ballasts. Custom configurations are available for integral transformers or ballasts - consult RSA factory for details. Low voltage and Line Voltage models are dimmable.

ALL RSA COMBOLIGHT PRODUCTS ARE MADE IN THE U.S.A.

Label: UL, CSA and New York Calendar

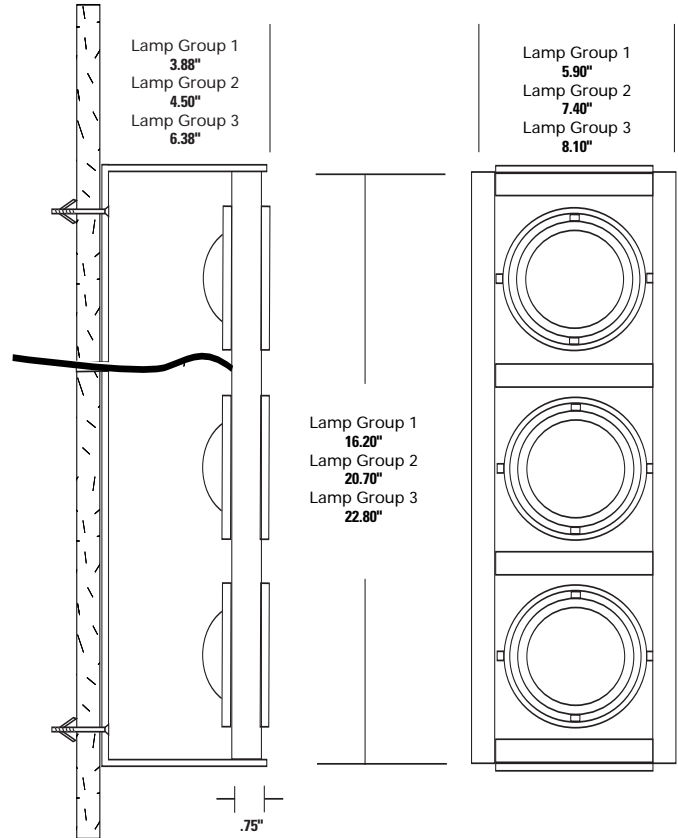


Standard lamp back cover for AR111 models hides lamp terminals and connections.

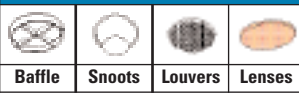


Adjustable double gimbal lamp holder accepts up to two optical accessories

GRID CONFIGURATION "B"
 This sheet is for Grid Configuration "B". To see other grid configurations, consult other ComboLight Galleria Series spec sheets.
IMPORTANT: USING THIS SPEC SHEET
 This fixture is dimensioned according to lamp type. Please select lamp from either Lamp Group 1, 2 or 3 - and then refer to the appropriate dimensions of fixture as shown above.



Optional Accessories - Details on Other Side



Cat. # / Description	Lamp Type	Grid Configuration	Finish	
CGWC - Wall Mount Swivel Column Fixture	Lamp Group 1	11 - MR16 12V 50W	B - Three Light	BK - Black
		12 - MR16 12V 75W		
		13 - AR70 12V 20W		WH - White
		14 - AR70 12V 50W		S - Silver
		15 - PAR16 120V		PC - Polished Chrome
		16 - PAR20 120V		PT - Custom
	Lamp Group 2	21 - PAR30 120V	B	B
		22 - PAR30MH 39W		
		23 - PAR30MH 70W		
		24 - PAR36 12V 50W		
		25 - AR111 12V 35W		
		26 - AR111 12V 50W		
	Lamp Group 3	27 - AR111 12V 75W	B	B
		28 - AR111 12V 100W		
		31 - PAR38 120V		
32 - PAR38MH 70W				
33 - PAR38MH 100W				
CGWC		B		

SPECIFY -