

## DESCRIPTION

The TF28 fixture is designed for the most demanding and complex environments your application has to offer. One-piece seam-welded construction and energy efficient lamp technology make this fixture an ideal candidate for applications ranging from the most hostile to the most fragile environments. The TF28 provides a durable and long life installation. Long lamp life means less re-lamping and less maintenance costs resulting in a big payback. A durable and anti-corrosive construction ensures that your investment is protected as expected through the end. UL listed and IP 65 rated.

Catalog #		Type
Project		
Comments		Date
Prepared by		

## SPECIFICATION FEATURES

### A ... Lens

(To be specified.) Choice of glass or polycarbonate; prismatic for glare control or clear. Consult ordering information.

### B ... Housing

Available in die-formed 14 gauge cold rolled steel, 14 gauge 304 brushed stainless steel or 1/8" thick aluminum. Housing is continuously welded with ground ends to form a one-piece seamless construction for maximum resistance to the environment. Specify aluminum construction for high ambient applications.

### C ... Door Frame

Material to match housing. Seam welded with ground corners. Aircraft grade safety cable lanyards attaches doorframe to housing.

### D ... Gasket

One-piece die-cut EPDM closed cell sponge with pressure sensitive adhesive.

### E ... Fasteners

Stainless steel captive Philips Head screws are used to fasten door-frame to housing.

### F ... Finish

Polyester powder coat finish is standard on housing and doorframe. Available colors are utility gray, architectural bronze, white or specify color. Paint application is conveyorized, has a multi-stage cleaning cycle, electro statically applied, control baked and cured.

### G ... Reflector

Interior reflector is segmented, 95% specular aluminum and scientifically designed for maximum efficiency.

### H ... Lamps

150W Induction Icetron(TM) Lamp installed and fully secured in unit. All fixtures are 100% factory tested before shipping for quality assurance.

### I ... Ballast

High power factor, Universal 120V through 277V.

### J ... Wiring/Connections

Aluminum cast and fully sealed wiring box fastened with through bolts on exterior of unit. Supplied with (4) 3/4" pipe threaded conduit ports.

### K ... Mounting

Surface mounted with bolts through (4) exterior welded flanges.

### Labels

CUL Listed for Wet Locations. Optional high-pressure hose down available. High ambient rating is available up to 45° C.

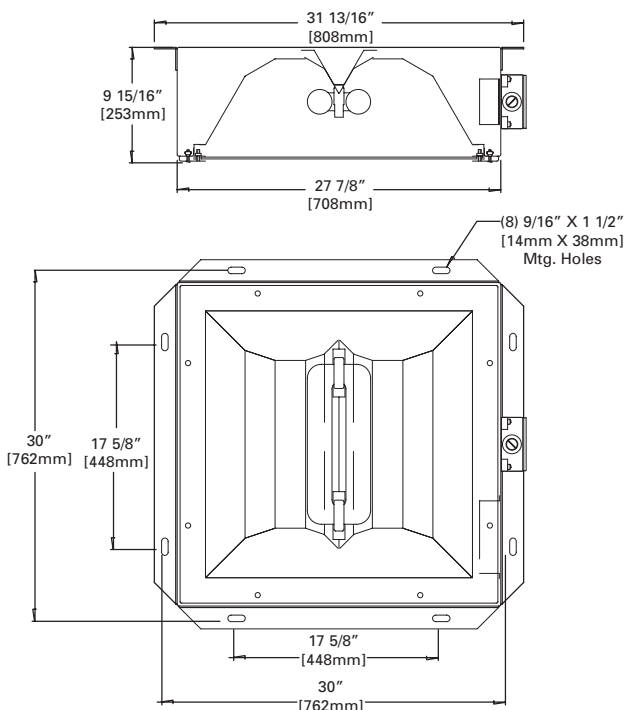


## TF28

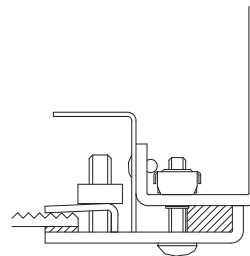
**150W**  
Induction

**SURFACE MOUNT**  
**TRANSIT AND COMPLEX**  
**ENVIRONMENT**  
**LUMINAIRE**

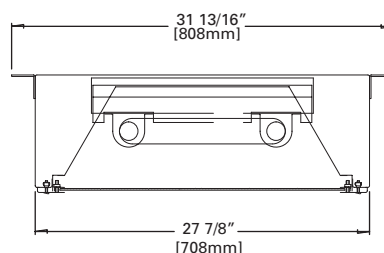
## MOUNTING DIMENSIONS



## DOOR FRAME



## DIMENSIONS



## ENERGY DATA

Input Watts:

(1) 150W Icetron™: 157W

\*Average rated per lamp manufacturer's specification. Icetron™ is a registered trademark of Osram Sylvania, Inc.

**PERFORMANCE**

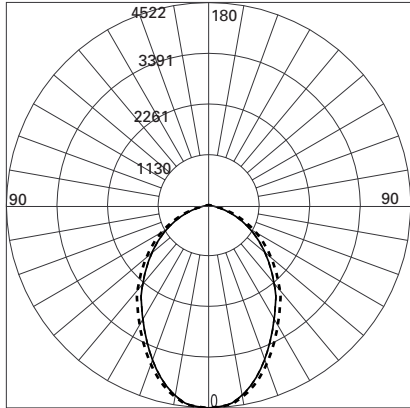
The TF 28 utilizes Induction Lamp Technology offering an outstanding solution for savings in energy and maintenance over the more traditional lamp sources available in the industry. Induction lighting offers the energy efficiency and color quality comparable to fluorescent technology while extending lamp life 5 times beyond today's fluorescent and HID technology. System efficacy is 76 lumens per watt. The electrical system operates over the wide temperature range of -40°C (-40°F) to 45°C (113°F) ambient temperature, making the TF28 suitable for virtually all climates. Specify aluminum housing (ALP) for high ambient applications.

**MAINTENANCE**

All fixtures are 100% factory tested before shipping with lamps installed and fully secured. Fixture is ready to install upon arrival from factory. The TF 28 features induction lighting technology that offers approximately 100,000 hours of life\* making the installation maintenance free for many years to come.

**PHOTOMETRICS**

**Candlepower Distribution**



Test No. **TF28150ICE24093** **||**  
 Lamp= 150W Icetron™  
 Lumens= 12,000 **- - - ⊥**  
 Efficiency= 75.8%

**Candlepower**

Deg.	⊥	
0	4522	4522
5	4510	4464
15	4002	4106
25	3294	3421
35	2648	2779
45	1992	2129
55	1401	1475
65	840	904
75	365	385
85	50	44
90	0	0

**Zonal Lumen Summary**

Zone	Lumens	%Lamp	%Luminaire
0-30	3117	26.0	34.3
0-40	4818	40.2	53.0
0-60	7716	64.3	84.9
0-90	9091	75.8	100.0
90-180	0	0.0	0.0
0-180	9091	75.8	100.0

**Coefficient of Utilization**

rc	80%				70%			50%		30%		10%		0%	
	rw	70	50	30	10	50	30	10	50	10	50	10	50	10	0
RCR															
0	90	90	90	90	88	88	88	84	84	81	81	77	77	77	
1	83	80	77	75	78	76	73	75	71	72	69	70	67	65	
2	76	71	66	62	69	65	61	67	60	64	59	62	57	56	
3	70	63	57	53	62	57	52	60	51	58	50	56	50	48	
4	65	56	50	45	55	50	45	54	45	52	44	50	43	42	
5	60	51	44	40	50	44	40	48	39	47	39	46	38	37	
6	56	46	40	35	45	39	35	44	35	43	34	42	34	33	
7	52	42	36	31	41	36	31	40	31	39	31	38	31	29	
8	48	39	33	28	38	32	28	37	28	36	28	35	28	26	
9	45	36	30	26	35	30	26	34	26	34	25	33	25	24	
10	43	33	27	24	33	27	23	32	23	31	23	31	23	22	

rc = Ceiling reflectance, rw = Wall reflectance, RCR = Room cavity ratio  
 CU Data Based on 20% Effective Floor Cavity Reflectance.

**ORDERING INFORMATION**

SAMPLE NUMBER: TF28-150ICE-UNV-93-ALP-GRY

Product Family	Lamp Type	Voltage	Lens Type	Door Frame / Housing Options	Options	Finish
<b>TF28</b>						
Surface Mount TF28	150ICE=150W Icetron™ Lamp	UNV=120V through 277V	Fixture Side 85=.187 Clear Polycarbonate (Available Soon) 82=.187 Prismatic Polycarbonate (Available Soon) 93=.156 Prismatic Tempered Glass	(14 Gauge Cold Rolled Steel Standard) SSN=Brushed Stainless Steel (14 Gauge) SSP=Stainless Steel, Polyester Powder Coat (14 Gauge) ALP <sup>1</sup> =Aluminum Housing Polyester Powder Coat (1/8" Thick)	F1=Single Fuse (Specify Single Voltage) FS <sup>2</sup> =Factory Sealed PSI=High Pressure Wash Down Rated (Available Soon)	GRY=Utility Gray BRZ=Architectural Bronze WHT=High Gloss White BLK=Black  (For Custom Color, Consult Customer Service, Requires Flat Fee)

Notes:  
 For additional options, consult your Cooper Lighting Representative.  
 Specifications and Dimensions subject to change without notice.

<sup>1</sup>Aluminum Housing (option ALP) required for high ambient applications above 25°C.

<sup>2</sup>FS Option is sealed and ready for immediate installation; unit cannot be opened without corrupting seal.