



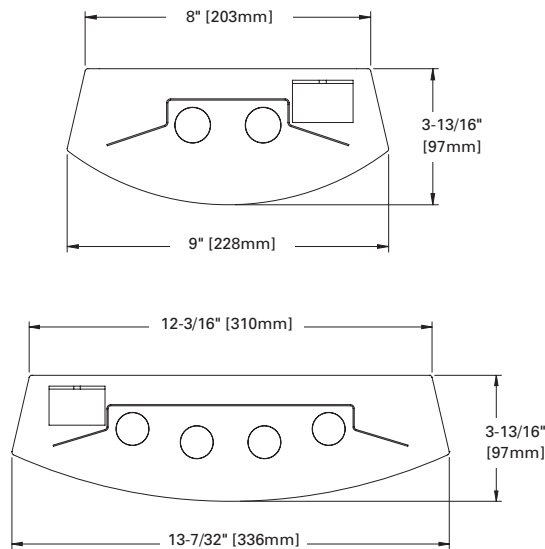
HVL LINEAR FLUORESCENT

14W - 108W (HVL8)
Fluorescent
28W - 216W (HVL12)
Fluorescent

POLYCARBONATE LINEAR
FLUORESCENT LUMINAIRE
CLEAR PRISMATIC
OR OPAL

- Heavy duty extruded aluminum rails and die-cast end caps provide rigid construction
- White finish standard. Optional architectural colors available.
- One piece extruded UV stabilized polycarbonate with unique prismatic design that provides even light distribution while obscuring lamp image and direct glare.
- Stainless steel TORX® with center reject pin and allen head set screws provided
- 20 ga. CRS reflector with white high polyester powder coat finish
- Lamps by others
- Ballasts are standard CBM/ETL Class P and positively secured to housing
- Pressure lock lampholders
- UL Listed and CSA Certified Wet Location for covered ceiling surface mount. Damp location standard for all other mountings

DIMENSIONS



DESCRIPTION

The Fail-Safe Harmony VR Linear Series provides exceptional aesthetics with remarkable strength. A wide variety of lamp options and connection configurations offer unmatched versatility for a wide range of applications. Die-Cast end caps, heavy extruded aluminum body provides strength and rigidity for complex environments while an extruded prismatic polycarbonate lens obscures the lamp image and spreads light evenly. The Harmony VR Linear Series is ideal for areas where the need for aesthetics and protection from vandalism are critical. Perfect for schools, hospitals, corridors, dormitories, public restrooms, common areas, and transit stations.

ORDERING INFORMATION

SAMPLE NUMBER: HVL8BR-332-120V-O-EB82-SRW

<p>Product Family HVL8=Harmony VR Linear 8" Width HVL12=Harmony VR Linear 12" Width</p>	<p>Voltage 120=120V 277=277V 347=347V UNV=120-277V UNC=347-480V</p>	<p>End Caps BLANK=No End Caps (Middle Units) ³ D=Decorative End Caps S=Smooth End Caps</p>	<p>Finish BLANK=Architectural White BK=Architectural Black DP=Dark Platinum</p>	<p>Accessories (Order Separately) VRSD=TORX® Screwdriver VRSB=TORX® Screwdriver Bit</p>
<p>Row/Node Configuration² BR=Beginning MR=Middle ER=End</p>	<p>Lens Type C=Clear Prismatic O=Opal</p>	<p>Options EBP=Emergency Battery Pack ¹ FNL=Fluorescent Night Light PM=Pendant Mount ² GLR=Fuse and Holder PI/CPI=Plug-In (1, 2, or 3) ³ TILW=Tandem Inline Wiring ³ SRW=Single Raceway ³ DRW=Dual Raceway (2 Lamp Max) ³ UPL=Uplight</p>		
<p>Lamp Type 2' Length</p> <p>114=(1) 14W T5 Lamp ⁴ 214=(2) 14W T5 Lamps 314=(3) 14W T5 Lamps ⁵ 414=(4) 14W T5 Lamps ⁵ 124=(1) 24W T5HO Lamp ⁴ 224=(2) 24W T5HO Lamps 324=(3) 24W T5HO Lamps ⁵ 424=(4) 24W T5HO Lamps ⁵ 117=(1) 17W T8 Lamp ⁴ 217=(2) 17W T8 Lamps 317=(3) 17W T8 Lamps ⁵ 417=(4) 17W T8 Lamps ⁵</p> <p>4' Length</p> <p>128=(1) 28W T5 Lamp ⁴ 228=(2) 28W T5 Lamps 328=(3) 28W T5 Lamps ⁵ 428=(4) 28W T5 Lamps ⁵ 154=(1) 54W T5HO Lamp ⁴ 254=(2) 54W T5HO Lamps 354=(3) 54W T5HO Lamps ⁵ 454=(4) 54W T5HO Lamps ⁵ 132=(1) 32W T8 Lamp ⁴ 232=(2) 32W T8 Lamps 332=(3) 32W T8 Lamps ⁵ 432=(4) 32W T8 Lamps ⁵</p>	<p>Electronic Ballast EB81=(1) Ballast for use with T8 lamp EB82=(2) Ballasts for use with T8 lamps EB51=(1) Ballast for use with T5 lamp EB52=(2) Ballasts for use with T5 lamp</p>			

HARMONY™
Vandal Resistant



Notes: For additional options, consult your Cooper Lighting Representative. Specifications and dimensions subject to change without notice. Products also available in non-US voltages and 50Hz for international markets.

1. Must specify voltage. 2. Stems must be ordered separately. 3. For Continuous Row Mount fixtures only. 4. For HVL8 fixtures only. 5. For HVL12 fixtures only.