

DESCRIPTION

Optical performance and long lamp life combine with a low architectural profile to form Fail Safe's HCS Series. Its cast aluminum housing and shallow, high impact, injection molded prismatic polycarbonate refractor with seven lamp choices.

The HCS Series is specifically designed for use in public access areas where vandalism may occur. Ideal for tunnels, loading docks, park shelters and other unsupervised outdoor areas where safety and security remain critical.

Catalog #		Type
Project		
Comments		Date
Prepared by		

SPECIFICATION FEATURES

A ... Lens

Nominal .156 UV stabilized, injection molded, impact resistant, clear prismatic polycarbonate refractor for high efficiency, low surface brightness and maximum strength.

B ... Fasteners

Captive, stainless steel tamper-resistant TORX®-head screws prevent unauthorized access.

C ... Housing

Heavy duty, corrosion resistant cast aluminum housing withstands impact and environmental abuse. Standard bronze polyester powder coat finish.

D ... Socket

(For use with H.I.D. lamps)
Porcelain socket, copper screwshell, silicone braid, 150°C.

E ... Gasket

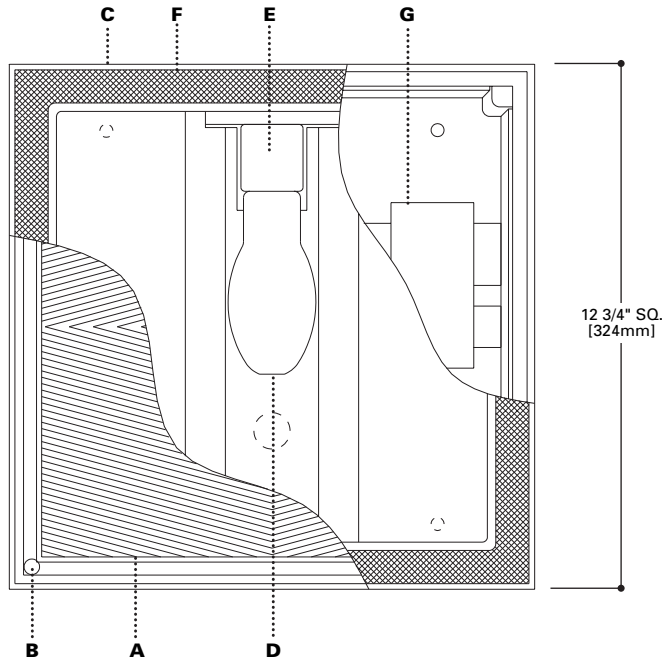
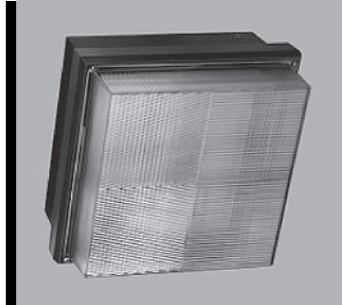
Non-shrinking, double baked neoprene gasketing seals out the environment.

F ... Ballast

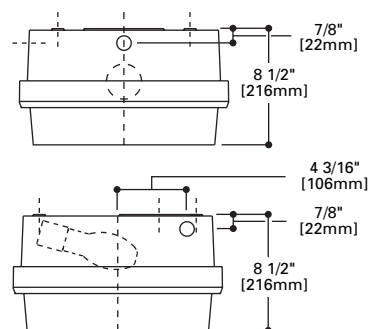
HPF core and coil.

Labels

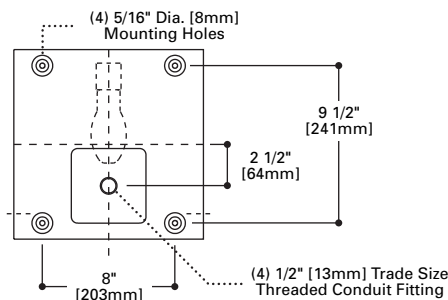
U.L. listed, C.S.A. certified, standard wet label.



SIDE DIMENSIONS



MOUNTING DIMENSIONS



HCS

35W - 150W
High Pressure Sodium

100W
Metal Halide
Mercury Vapor

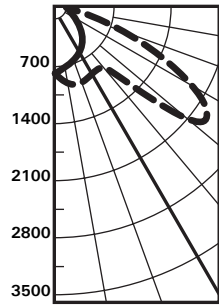
POLYCARBONATE
HIGH ABUSE LUMINAIRE
Clear Prismatic
Cast Aluminum
Surface Luminaire

ENERGY DATA

For Energy Management related technical data to support the performance of this fixture series, refer to the ordering information for input wattage.

PHOTOMETRICS

Candlepower Distribution



Test No. 6580.0
HCS-100S-DUAL
 Lamp=S54 (LU100/MED)
 No. Lamps=1
 Lumens=9500
 Spacing Criteria
 $\perp = 2.4$ $\parallel = 1.1$
 Efficiency=42.0%



Candlepower

Deg.	\perp	\parallel
0	719	719
5	739	715
15	805	649
25	729	581
35	763	435
45	1178	433
55	2354	389
65	1231	232
75	345	91
85	84	37
90	73	36

Zonal Lumen Summary

Zone	Lumens	%Lamp	%Luminaire
0-30	605	6.4	15.1
0-40	1003	10.6	25.1
0-60	2636	27.8	65.8
0-90	3737	39.3	93.3
90-180	268	2.8	6.7
0-180	4005	42.2	100.0

Coefficient of Utilization

rc	80%				70%			50%		30%		10%		0%
	70	50	30	10	50	30	10	50	10	50	10	50	10	0
0	50	50	50	50	48	48	48	45	45	43	43	40	40	39
1	45	43	41	39	42	40	38	39	37	37	35	35	34	33
2	41	37	34	31	36	33	31	34	30	32	29	30	28	36
3	37	32	28	25	31	28	25	29	24	28	23	26	23	22
4	33	28	24	21	27	23	20	25	20	24	19	23	19	18
5	30	24	20	16	23	19	16	22	16	21	15	19	15	14
6	27	21	16	13	20	16	13	19	13	18	13	17	12	11
7	24	18	14	11	18	14	11	17	11	16	10	15	10	09
8	22	16	12	09	16	12	09	15	09	14	09	13	08	08
9	20	14	10	08	14	10	08	13	07	12	07	12	07	06
10	19	13	09	07	12	09	07	12	06	11	06	11	06	05

rc = Ceiling reflectance, rw = Wall reflectance, RCR = Room cavity ratio
 CU Data Based on 20% Effective Floor Cavity Reflectance.

ORDERING INFORMATION

SAMPLE NUMBER: HCS-100S-277-QRS

Product Family	Lamp Type ⁽³⁾	Voltage ⁽¹⁾	Options	Accessories (order separately)
HCS				
HCS=Cast Aluminum Surface Luminaire	35S =35W HPS Medium Base ⁽²⁾ 50S =50W HPS Medium Base 70S =70W HPS Medium Base 100S =100W HPS Medium Base 150S =150W HPS ⁽⁴⁾ Medium Base 50M =50W MH Medium Base 70M =70W MH Medium Base 100M =100W MH Medium Base	120 =120V 208 =208V 240 =240V 277 =277V DT =Dual-Tap 120/277V ⁽⁵⁾ MT =Multi-Tap 120/208/240/277V ⁽⁶⁾	SF =Single Fuse DF =Double Fuse HCA =Pole Mount Adapter: 4" Square Pole HCB =Wall Mount Adapter Bracket QRS =Quartz Restrike System (DC bayonet base; lamp by others) QS =Quartz Socket Only (DC bayonet base) WAL =Internal Visor for Wall Mounting LL =Lamp Included Housing Finishes Blank =Bronze (Standard) BLK =Black WHT =White	VRSD =TORX®-Head Vandal Resistant Screwdriver 2802 =Pendant Mounting Box 2811 =Trunion Mounting Kit 2822 =Quick Mounting Kit PB-120 =Photocell 120V PB-277 =Photocell 277V

Notes:
 For additional options consult Cooper Lighting Representative. Specifications and Dimensions subject to change without notice.
¹ Products also available in non-US voltages and 50Hz for international markets. Consult your Cooper Lighting Representative for availability and ordering information.
² 35S only available with 120V.
³ All Medium Base.
⁴ Not for use on combustible ceilings.
⁵ Not available in 35S.
⁶ Not available in 35S or 50S.