

FAIL-SAFE®



FSR

13W - 160W
Fluorescent

MAXIMUM SECURITY RECESSED LUMINAIRE GRID TYPE CEILING

- Lens available in prismatic acrylic, prismatic polycarbonate or prismatic tempered glass on fixture side, clear polycarbonate or clear tempered glass on environmental side

- Stainless steel tamper-resistant TORX® screws with center pin reject are standard. Allen-head screws with center pin reject are optional

- Housing is die-formed 12 ga.-18 ga. CRS body with welded corners to form a one-piece housing. Standard white high reflectance polyester powder coat finish. (Flanges on the length of fixture.)

- Lamps by others

- Lens secured by thru-studs and vertically adjustable internal CRS hold-downs

- One-piece, CRS door frame with die-formed edges and tightly closed corners increases rigidity (gauge to match housing)

- Standard Class P, CBM/ETL ballast

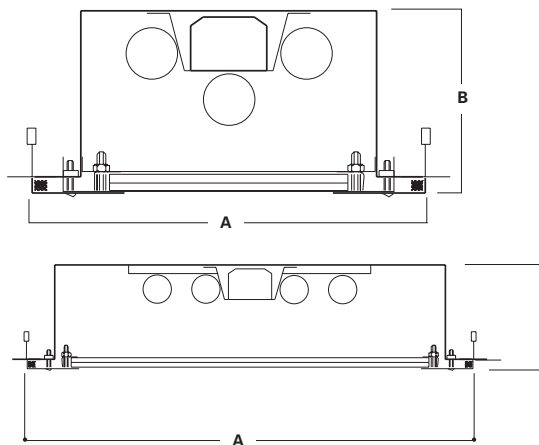
- Polyurethane gasketing surrounds door frame

- U.L. listed, C.S.A. certified, standard wet label

DESCRIPTION

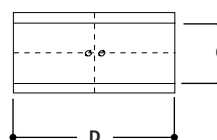
The Fail-Safe FSR Series combines maximum security construction features with energy saving technology. This recessed luminaire utilizes a one-piece overlapping door frame, security lensing and tamper resistant fasteners to maximize impact resistance and prevent contraband concealment and unauthorized fixture penetration. U.L. listed and C.S.A. certified for wet locations.

DIMENSIONS



	A	B	C	D
FSR12	12" (305mm)	5 1/16" (129mm)	11 3/16" (284mm)	12 1/8" (308mm)
FSR12	12" (305mm)	5 1/16" (129mm)	11 3/16" (284mm)	24 1/8" (613mm)
FSR12	12" (305mm)	5 1/16" (129mm)	11 3/16" (284mm)	48 1/8" (1222mm)
FSR24	24" (610mm)	5 1/16" (129mm)	23 13/16" (604mm)	24 1/8" (610mm)
FSR24	24" (610mm)	5 1/16" (129mm)	23 13/16" (604mm)	48 1/8" (1222mm)

MOUNTING



ORDERING INFORMATION

SAMPLE NUMBER: FSR-TG-D12-340-120-80/86-LE3-GLR

Product Family FSR=Maximum Security Recessed Luminaire	Voltage 120=120V 277=277V UNV=120V through 277V	Lens Type Inner Layer (optional) 90=.005 UV Absorbing Overlay Fixture Side 80=.125 Prismatic Acrylic 81=.156 Prismatic Polycarbonate 82=.187 Prismatic Polycarbonate 93=.156 Prismatic Tempered Glass	Environmental Side 84=.125 Clear Polycarbonate 85=.187 Clear Polycarbonate 86=.250 Clear Polycarbonate 87=.375 Clear Polycarbonate 88=.500 Clear Polycarbonate 94=.187 Clear Tempered Glass 96=.250 Clear Tempered Glass 97=.375 Clear Tempered Glass 98=.500 Clear Tempered Glass	Options CP=Concrete Pour EBP=Emergency Battery Pack FNL=Fluorescent Night Light (Lamp by others.) GLR=Fuse and Holder CPH=Concealed Piano Hinge RIF=Radio Interference Filter SPK=Speaker Housing Compartment (extends housing) Auto Control Modules ACM/FNL=for FNL On/Off Switches SPS=Security Push Button TCS=Touch Control System 4 Stainless Steel Door SSN=Natural Brushed Finish SSP=Polyester Powder Coat Finish Fasteners SF3=Allen-Head (center pin reject)
Ceiling Type TG=T-Grid MP=Metal Pan 6 CZ=Concealed Z-Spline	Housing S=12 ga. (Ultimax) X=14 ga. (Maximum) D=16 ga. (Medium) N=18 ga. (Minimum)	Fixture Width 12=12" Wide 24=24" Wide	Ballast Blank=Magnetic Ballast (Standard) 3 LEOC8=T8 Energy Saving Ballast LE3=40W T12 Energy Saving Ballast Electronic Ballast 1 EBT1=(1) Ballast for use with Compact Lamp EBT2=(2) Ballasts for use with Compact Lamp EB51=(1) Ballast for use with T5 Lamp	Accessories (Order Separately) 9306=Allen-Head Wrench VRSD=TORX®-Head Vandal Resistant Screwdriver
Lamp Type 1' Nom. Length Compact Fluorescent 113=(1) 13W Lamp 126=(1) 26W Lamp 213=(2) 13W Lamps 313=(3) 13W Lamps 226=(2) 26W Lamps 2' Nom. Length T5 Fluorescents 114=(1) 14W Lamp 214=(2) 14W Lamps 314=(3) 14W Lamps 414=(4) 14W Lamps 5 T8 Fluorescents 117=(1) 17W Lamp 217=(2) 17W Lamps 317=(3) 17W Lamps 417=(4) 17W Lamps T12 Fluorescents 2 220=(1) 20W Lamp 220=(2) 20W Lamps 320=(3) 20W Lamps 420=(4) 20W Lamps	Biaxial Fluorescents 140BX=(1) 40W Lamp 240BX=(2) 40W Lamps 340BX=(3) 40W Lamps 440BX=(4) 40W Lamps T8 U-Lamp 2U6T8=(2) 32W Lamp 2U15/8=(2) 31W Lamp 3U15/8=(3)31W Lamp 4' Nom. Length T5 Fluorescents 128=(1) 28W Lamp 228=(2) 28W Lamps 328=(3) 28W Lamps 428=(4) 28W Lamps 5 T8 Fluorescents 132=(1) 32W Lamp 232=(2) 32W Lamps 332=(3) 32W Lamps 432=(4) 32W Lamps T12 Fluorescents 140=(1) 40W Lamp 240=(2) 40W Lamps 340=(3) 40W Lamps 440=(4) 40W Lamps	Ballast EB52=(2) Ballasts for use with T5 Lamp EB81=(1) Ballast for use with T8 Lamp EB82=(2) Ballasts for use with T8 Lamp EB21=(1) Ballast for use with T12 Lamp 2 EB22=(2) Ballasts for use with T12 Lamp 2 EBX1=(1) Ballast for use with Biaxial Lamp EBX2=(2) Ballasts for use with Biaxial Lamp		

Notes: For additional options, consult your Cooper Lighting Representative. Specifications and Dimensions subject to change without notice. Electronic ballast may cause interference with other electronic devices. If interference occurs, move the device away from the product or plug/connect into a different circuit/outlet.

¹ For specific electronic ballast, specify brand and catalog number. ² Electronic ballast not available for F20T12 lamps. ³ For use with Compact Fluorescent, Biaxial, and 20W T12 lamps. ⁴ For additional information about the TCS option see pages 1106 and 1107. ⁵ Requires two ballasts. ⁶ When specifying MP ceiling consult Cooper Lighting for compatibility.