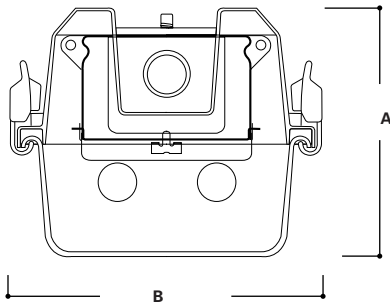
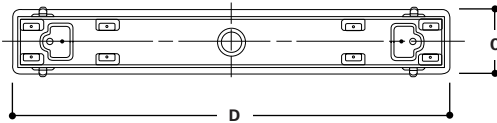


DIMENSIONS



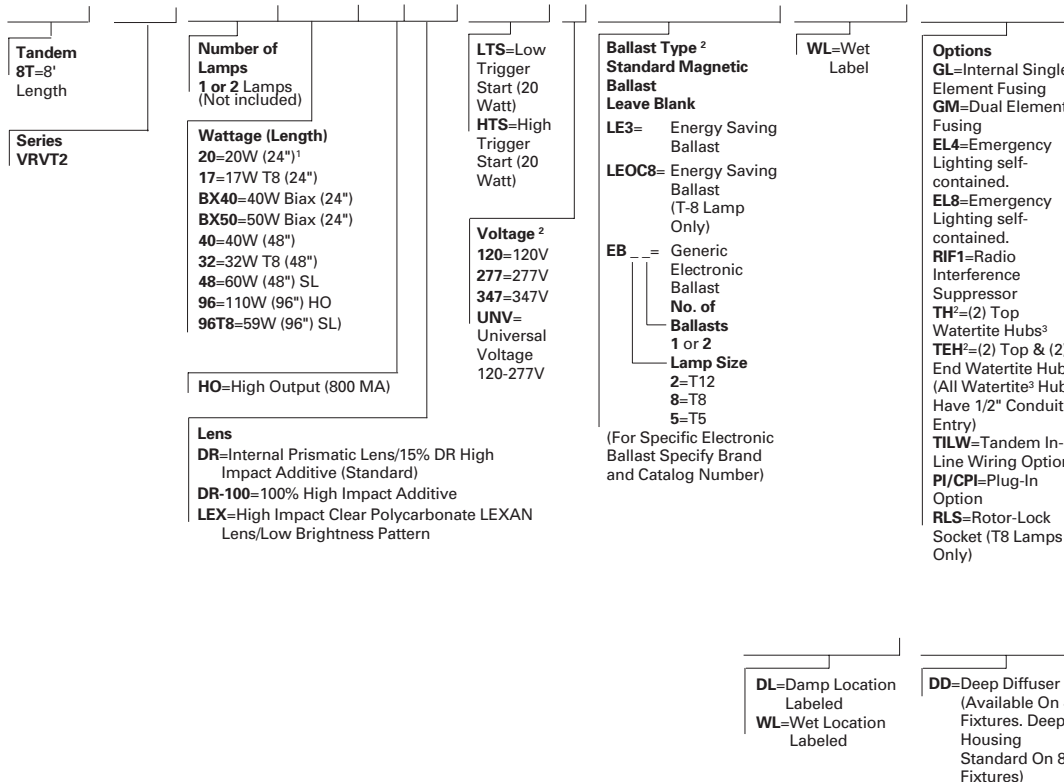
MOUNTING



	A	B	C	D
VRVT2 2'	5 7/8" (149mm)	7" (178mm)	6 5/8" (168mm)	25 13/16" (656mm)
VRVT2 4'	5 7/8" (149mm)	7" (178mm)	6 5/8" (168mm)	49 13/16" (1265mm)
8VRVT2 8'	5 7/8" (149mm)	7" (178mm)	6 5/8" (168mm)	97 13/16" (2484mm)

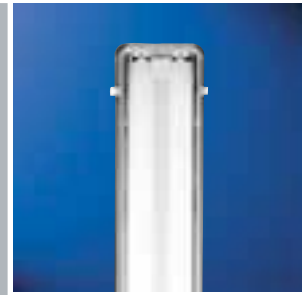
ORDERING INFORMATION

SAMPLE NUMBER: VRVT2-232DR-120V-EB81-WL-U



DESCRIPTION

The Fail-Safe VRVT2 Series fluorescent luminaires combine harsh environment protection with the latest in energy efficient technology. Their Vaportite design is U.L. listed and C.S.A. certified for wet locations. Other features include continuous seal gasketing, reinforced fiberglass housing, steel mounting brackets, and end hub entry (standard) or top hub entry (optional.)



VRVT2

2', 4', 8' LONG
1 OR 2 LAMP

VANDAL RESISTANT
LUMINAIRE

- Fiberglass housing is reinforced polyester and self extinguishing (ASTM-D635-74) plastic; top has five embossments (2' unit); watertite hubs for 1/2" conduit entry. Polyurethane gasketing
- Ballasts are CBM/ETL Class "P" suitable to minus 20°F.
- Three shielding choices:
DR—clear, low brightness pattern acrylic with 15% high impact additive;
DR-100—clear, low brightness pattern acrylic with 100% high impact additive; LEX, low brightness pattern, high impact LEXAN polycarbonate
- Four sturdy cam latches (2' unit), six (4' unit), and twelve (8' unit) with integral stainless steel TORX® screws. Clamp diffuser tightly for a positive seal between housing, gasketing and diffuser.

NOTE: For additional options, consult your Cooper Lighting Representative. Specifications and Dimensions subject to change without notice.

¹ Standard Ballast (Non-LE3). ² Contact Pre Sales Technical Support. ³ Optional VT2 1/2" stem bushing available. ⁴ Ambient Thermal Conditions: Operating Ambient Temperature Limitations Are Applicable. Contact Sales Engineering for "Full" Operating Temperature Range" of Specific Fixture.