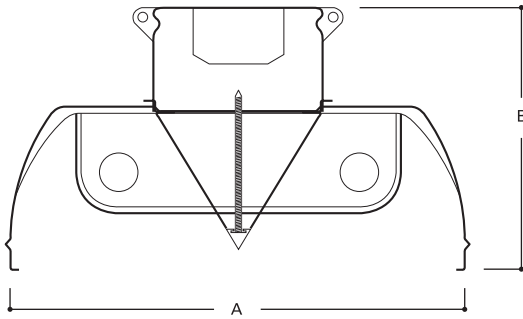


DIMENSIONS



NOMINAL LENGTH	A	B
4', 8'	13" (330mm)	6 7/8" (175mm)

DESCRIPTION

The EIVM Series is an energy efficient family of industrials that features premium performance and durability. The industrial series incorporates heavy duty, embossed, reflectors that precisely direct and effectively control light. The EIVM reflector has an inward flange developed to prevent debris accumulation in special applications. The special deep center "V" provides 30° crosswise lamp shielding to minimize glare. The versatile EIVM can be installed using various mounting methods and numerous options and accessories are available. The EIVM can be utilized in simple task and area lighting to the most demanding specialized industrial applications with environmental requirements.



EIVM SERIES

4' or 8' Industrial
2 Lamp

ENVIRONMENTAL CENTER
"V" INDUSTRIAL

ORDERING INFORMATION

SAMPLE NUMBER: EIVM-232-120V-EB81-U

Tandem Blank=4' Length 8T=8' Length	Number of Lamps 2 Lamps (Not included)	Options GL=Single Element Fuse GM=Double Element Fuse Emergency - for EM installed, see EM options table	Ballast Type⁽¹⁾ Blank=Standard Magnetic Ballast LE3=T12 Magnetic Energy Saving EB8 = T8 Electronic Instant Start. Total Harmonic Distortion < 10% No. of Ballast 1, 2 or 3 EB8 /PLUS= T8 Electronic Instant Start. High Ballast Factor > 1.13. Total Harmonic Distortion < 20% No. of Ballast 1, 2 or 3 ER8 = T8 Electronic Program Rapid Start. Total Harmonic Distortion < 10% No. of Ballast 1, 2 or 3 TEB8 =T8 Electronic Instant Start. Total Harmonic Distortion < 10% No. of Ballast 1, 2 or 3 EB2 =T12 Electronic Rapid Start. No. of Ballast 1 or 2 (For complete details on generic or to specify manufacturer's ballast see pg. 469)	Options (See Options Section)	Packaging U=Unit Pack 4B=4 Bulk
Series EIVM=Apertured Reflector ECIVM=Closed Top Reflector	Wattage (Length) 40=34/40W T12 (48") 32=32W T8 (48") 48=40W T12 (48") SL 48HO=60W T12 (48") HO 48HO=44W T8 (48") HO 48VHO=110W (48") VHO 96=60/75W T12 (72") SL 96=59W T8 (96") SL 96HO=95/110W T12 (96") HO 96HO=86W T8 (96") HO 96VHO=185/215W (96") VHO 96PG=185/215W (96") PG				
	Voltage⁽¹⁾ 120V=120 Volt 277V=277 Volt 347V=347 Volt UNV=Universal Voltage 120-277 ⁽²⁾				

- Equipped with energy saving ballasts/complies with federal energy efficiency standards
- Die formed channels
- Unique reflector design prevents debris accumulation
- Heavy duty apertured, (EIVM) or closed top, (ECIVM) reflector with Center "V"
- Deep draw full width reflector ribs add rigidity
- Center "V" provides 30° crosswise shielding/ reduces glare
- Metal clad lampholders with spring loaded sockets
- Baked white enamel finish
- Apertured reflector (EIVM) standard with 20% uplight
- Porlux and Silverlining finishes available⁽³⁾
- Wire guards available for special applications
- Also available in tandem 8' lengths
- UL/CUL Listed. Suitable for damp locations.

NOTES: ⁽¹⁾Products also available in non-US voltages and frequencies for international markets. ⁽²⁾Not available when specifying emergencies, voltage must be specific. ⁽³⁾Silver lining not available on fixtures with HO, VHO or PG.

For complete product data, reference the Fluorescent Specification binder. Specifications & dimensions subject to change without notice. Consult your Cooper Lighting Representative for availability and ordering information.