

DESCRIPTION

Fail-Safe's DRR-F Series is part of the Dark Room Safelights product line. These energy efficient, durable luminaires feature a die formed 20 gauge housing and door with integral lens/filter retainers, prismatic tempered glass lamp diffuser. Choice of up to two (2) Kodak® dark room safelight filters, and a smooth black polyester powder coat finish. Gasketing surrounds the door frame and filter reflector(s) to prevent light leaks. Adjustable swing hangers are used for mounting.

The DRR-F Series is ideal for areas which require a filtered light source such as photo processing labs, medical x-ray processing centers and graphics printing pre-press applications.

SPECIFICATION FEATURES

A ... Shielding/Filter(s)

Crystal 73 pattern prismatic tempered glass or glass fresnel task lamp diffuser. Choice of up to two (2) Kodak® dark room safelight filters. See Filter Applications chart and Ordering Information.

B ... Fasteners

Two captive Phillips-head screws standard. Tamperproof TORX® screws are optional.

C ... Hinge

Concealed continuous piano hinge.

D ... Housing/Finish

Die-formed 20 ga. CRS housing. All spot welded construction. Satin black

D ... Housing/Finish Cont.

polyester powder coat finish over a seven stage pre-treatment. Hardness: 2H; Salt Spray: 500 Hours.

E ... Door Frame

One-piece die formed 20 ga. CRS door with integral lens/filter retainer brackets. Finish to match housing. Stainless steel door optional.

F ... Lamps

(By Others)

G ... Electrical

Porcelain socket(s), copper screwshell, silicone braid, 150°C wiring.

H ... Reflector(s)

Die formed 20 ga. CRS. All spot welded construction. (Filter reflector features one-piece seam welding.) White polyester powder coat finish over seven-stage pre-treatment. Gloss: 85%; Reflectance: 93%; Hardness: 2H; Salt Spray: 500 Hours.

I ... Light Mask

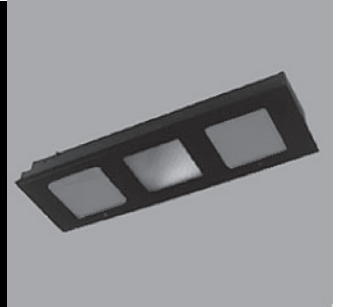
Door frame and filter reflector(s) are surrounded by gasketing to prevent light leaks.

J ... Mounting

Four (4) adjustable swing hangers secure fixture to ceiling.

Labels

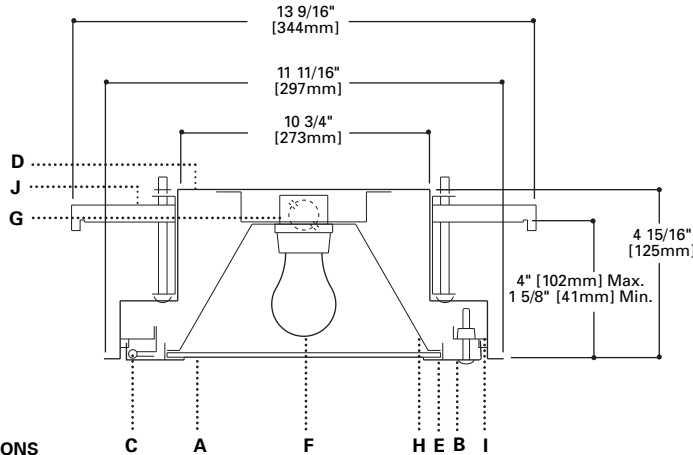
U.L. listed, C.S.A. certified, standard damp label.



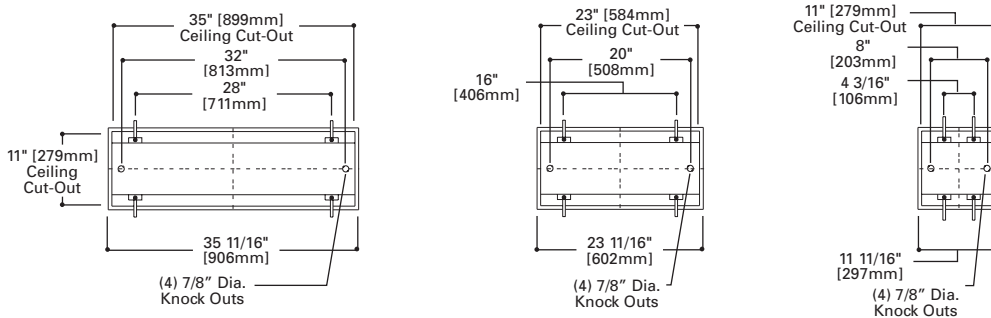
DRR-F

15W & 200W
Incandescent

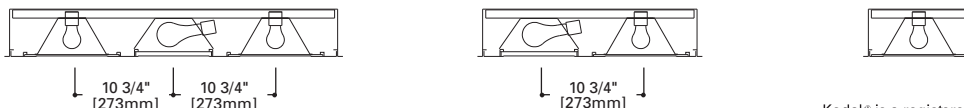
DARK ROOM
SAFELIGHT
RECESSED FLANGE



MOUNTING DIMENSIONS



LAMP CONFIGURATIONS



Kodak® is a registered trademark of Eastman Kodak Company
TORX® is a registered trademark of Camcar Division of Textron Inc.

ENERGY DATA

Input Watts:

- (1) 15W incandescent: 15W
- (1) 15W & (1) 200W Incand.: 215W
- (2) 15W & (1) 200W Incand.: 230W

FILTER APPLICATIONS (3)

Ordering Code	Color	Application/Usage
2	Dark Red	Fast orthochromatic materials, green-sensitive X-ray films
7B	Green	Infrared films
1	Red	Blue-sensitive materials and most phototypesetting materials
6B	Brown	Blue-sensitive X-ray films
GBX-2	Red	Most blue-sensitive X-ray films, most green-sensitive medical X-ray films
1A	Light Red	Slow orthochromatic materials
3	Dark Green	Some panchromatic materials
10	Dark Amber	Color negative papers, materials, panchromatic black-and-white papers
13	Deep Amber	Color negative papers, panchromatic black-and-white papers
OA	Greenish Yellow	Black-and-white contact and duplicating materials, projection films
OC	Light Amber	Contact and enlarging papers

ORDERING INFORMATION

SAMPLE NUMBER: DRR-F-2/15I-200I-120-2/10-93-SSN

Series	Product Family	Ceiling	Lamp Type ²	Voltage	Filter ^{1, 3}	Task Lens
DR	R	F				
DR=Dark Room	R=Recessed Safelight	F=Flange	1/15I =(1) 15WA15 Filter Lamp 1/15I-200I =(1) 15WA15 Filter Lamp & (1) 200W A21 Task Lamp 2/15I-200I =(2)15WA15 Filter Lamps & (1) 200W A21 Task Lamp	120 =120V 277 =277V (comes with stepdown transformer)	2 =Dark Red 7B =Green 1 =Red 6B =Brown GBX-2 =Red 1A =Light Red 3 =Dark Green 10 =Dark Amber 13 =Deep Amber OA =Greenish Yellow OC =Light Amber	93 =Prismatic Tempered Glass GF =Glass Fresnel Lens

Notes:
 For additional options, consult your Cooper Lighting Representative.
 Specifications and Dimensions subject to change without notice.

¹ Kodak recommends frequent filter replacement.
² Kodak recommends no more than 15W for maximum filter effectiveness.
³ For DRR-F-2/15I-200I order (2) Filters.

Options
SSN =Stainless Steel Door/Natural Brushed Finish SF1 =Tamperproof Fasteners

SHIPPING INFORMATION

Catalog Number	Weight
DRR-F-1/15I	13 lbs.
DRR-F-1/15I-200I	22 lbs.
DRR-F-2/15I-200I	30 lbs.