

DESCRIPTION

Fail-Safe's HUA Series offers an unbreakable replacement answer to general purpose H.I.D. luminaires which succumb to vandalism and environmental deterioration. Designed to maintain commercial aesthetics and maximize fixture spacing, the HUA Series combines the corrosion resistance of cast aluminum with an optically precise, UV stabilized, injection molded polycarbonate refractor, and double gaskets the unit to seal it from the environment. The HUA Series provides optimum performance and durability. The HUA Series is specifically designed for use in public access areas where vandalism may occur. Ideal for building perimeters, corridors, stairwells, schools and dormitories.

SPECIFICATION FEATURES

A ... Lens

Nominal .156 UV stabilized, injection molded, impact resistant, clear K12 prismatic polycarbonate refractor for high efficiency, low surface brightness and maximum strength.

B ... Fasteners

Captive, stainless steel tamperproof TORX® -head screws prevent unauthorized access.

C ... Housing

Heavy duty, corrosion resistant cast aluminum housing withstands impact and environmental abuse. Standard bronze polyester powder coat finish.

D ... Socket

Porcelain socket, copper screwshell, silicone braid, 150°C.

E ... Gasket

Non-shrinking, double baked neoprene gasketing seals out the environment.

F ... Ballast

HPF core and coil.

G ... Reflector

Die-formed CRS. White polyester powder coat finish.

Labels

U.L. listed, C.S.A. certified, standard wet label.

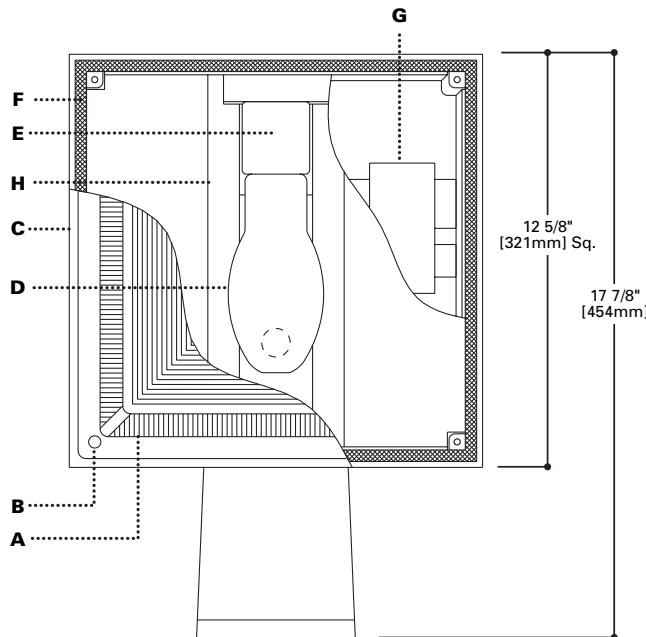


HUA

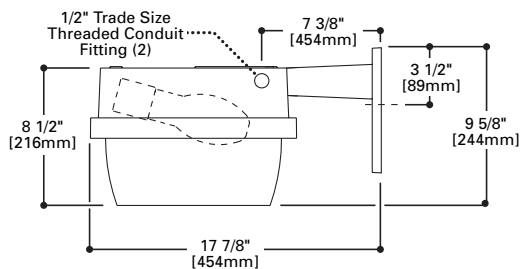
50W - 150W
High Pressure Sodium

70W - 100W
Metal Halide

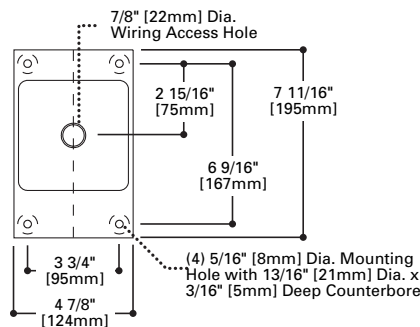
POLYCARBONATE
HIGH ABUSE
LUMINAIRE
Clear Prismatic
Cast Aluminum
Surface Square
w/Extension Arm



SIDE DIMENSIONS



MOUNTING DIMENSIONS



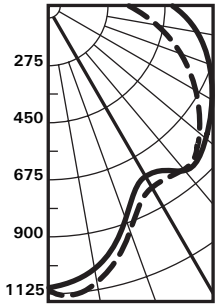
ENERGY DATA

(For Electronic Ballast Data, Consult Factory.)

TORX® is a registered trademark of Camcar Division of Textron Inc.

PHOTOMETRICS

Candlepower Distribution



Test No. 1313
HUA-100S
 Lamp=S54 SB-100
 No. Lamps=1
 Lumens=9500
 Spacing Criteria
 I=.99 II=.99
 Efficiency=53.0%



Candlepower

Deg.	I	II
0	1085	1085
5	1067	1097
15	1002	1015
25	746	842
35	739	817
45	856	838
55	826	758
65	754	593
75	660	427
85	552	314
90	477	278

Zonal Lumen Summary

Zone	Lumens	%Lamp	%Luminaire
0-30	771	8.1	15.3
0-40	1217	12.8	24.1
0-60	2505	26.4	49.6
0-90	4625	48.7	91.6
90-180	422	4.4	8.4
0-180	5047	53.1	100.0

Coefficient of Utilization

rc	80%				70%				50%				30%				10%				0%
	70	50	30	10	50	30	10	50	50	10	50	10	50	10	50	10	50	10	0		
RCR																					
1	54	50	47	44	48	45	43	45	40	42	38	40	36	40	36	35					
2	48	42	37	33	41	36	33	38	31	36	30	33	28	33	28	27					
3	43	36	31	27	35	30	26	33	25	31	24	29	23	29	23	21					
4	39	32	26	22	31	26	22	29	21	27	20	25	19	25	19	18					
5	36	28	23	19	27	22	18	25	18	24	17	22	16	22	16	15					
6	33	25	20	16	24	19	15	23	15	21	14	20	14	20	14	13					
7	30	22	17	13	21	17	13	20	13	19	12	18	12	18	12	11					
8	28	20	15	12	19	15	12	18	11	17	11	16	10	16	10	09					
9	26	18	13	10	18	13	10	17	10	16	10	15	09	15	09	08					
10	24	17	12	09	16	12	09	15	09	14	08	14	08	14	08	07					

rc = Ceiling reflectance, rw = Wall reflectance, RCR = Room cavity ratio
 CU Data Based on 20% Effective Floor Cavity Reflectance.

ORDERING INFORMATION

SAMPLE NUMBER: HUA-150S-277-QRS

Product Family	Series	Lamp Type	Voltage	Options	Accessories (order separately)
HU	A				
HU=Cast Aluminum Surface Square	A=Extension Arm	50S =50W HPS Mogul Base 70S =70W HPS Mogul Base 100S =100W HPS Mogul Base 150S =150W HPS Mogul Base 70M =70W MH Medium Base 100M =100W MH Medium Base	120 =120V 208 =208V 240 =240V 277 =277V DT =Dual-Tap 120/277V	SF =Single Fuse DF =Double Fuse OPL =Opal Diffuser QRS =Quartz Restrike System (DC bayonet base; lamp by others) QS =Quartz Socket Only (DC bayonet base) Housing/Arm Finishes BRZ =Bronze (Standard) BLK =Black WHT =White	2418 =External Cut-off Visor 9210 =Photocell (for 120V only) 9220 =Photocell (for 208V, 240V, 277V) VRSD =TORX®-Head Vandal Resistant Screwdriver

Notes:
 For additional options consult Cooper Lighting Representative.
 Specifications and Dimensions subject to change without notice.