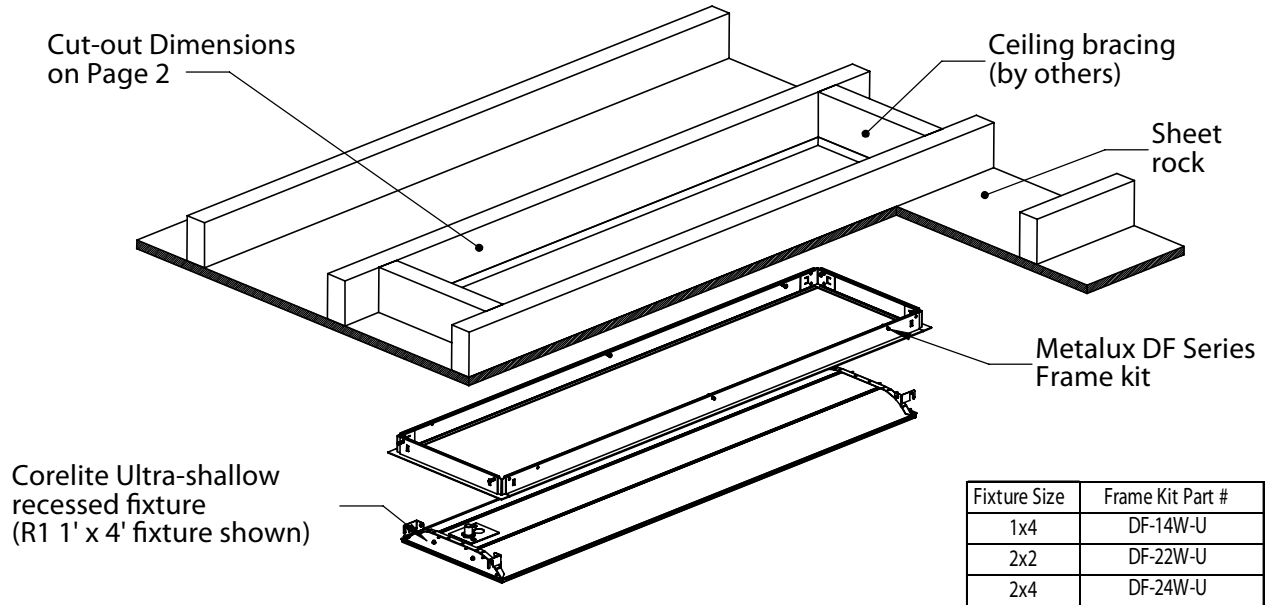


R1 Ultra Shallow Recessed Concealed Ceiling Installation Instructions

1' x 4', 2' x 2', 2' x 4'

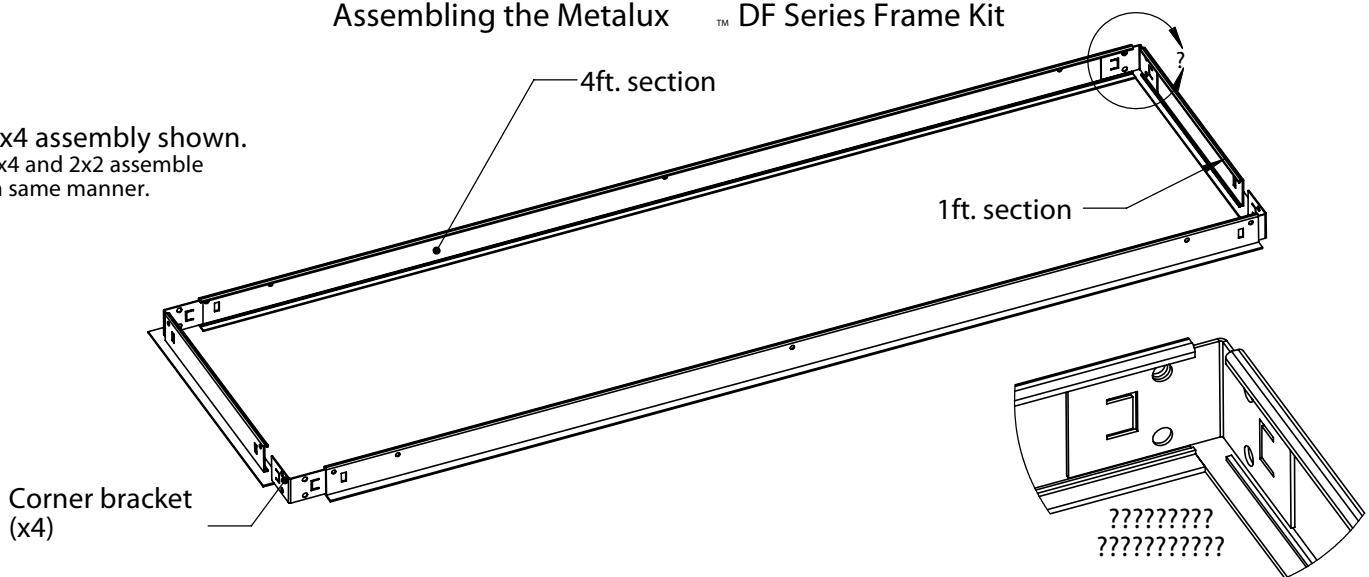
Warning : Before starting any work ensure that all sources of power are turned off. All work must meet local/national codes and be performed by a certified electrician. Do not mount fixtures vertically.

Exploded View and Part call-out



Assembling the Metalux™ DF Series Frame Kit

1x4 assembly shown.
2x4 and 2x2 assemble
in same manner.

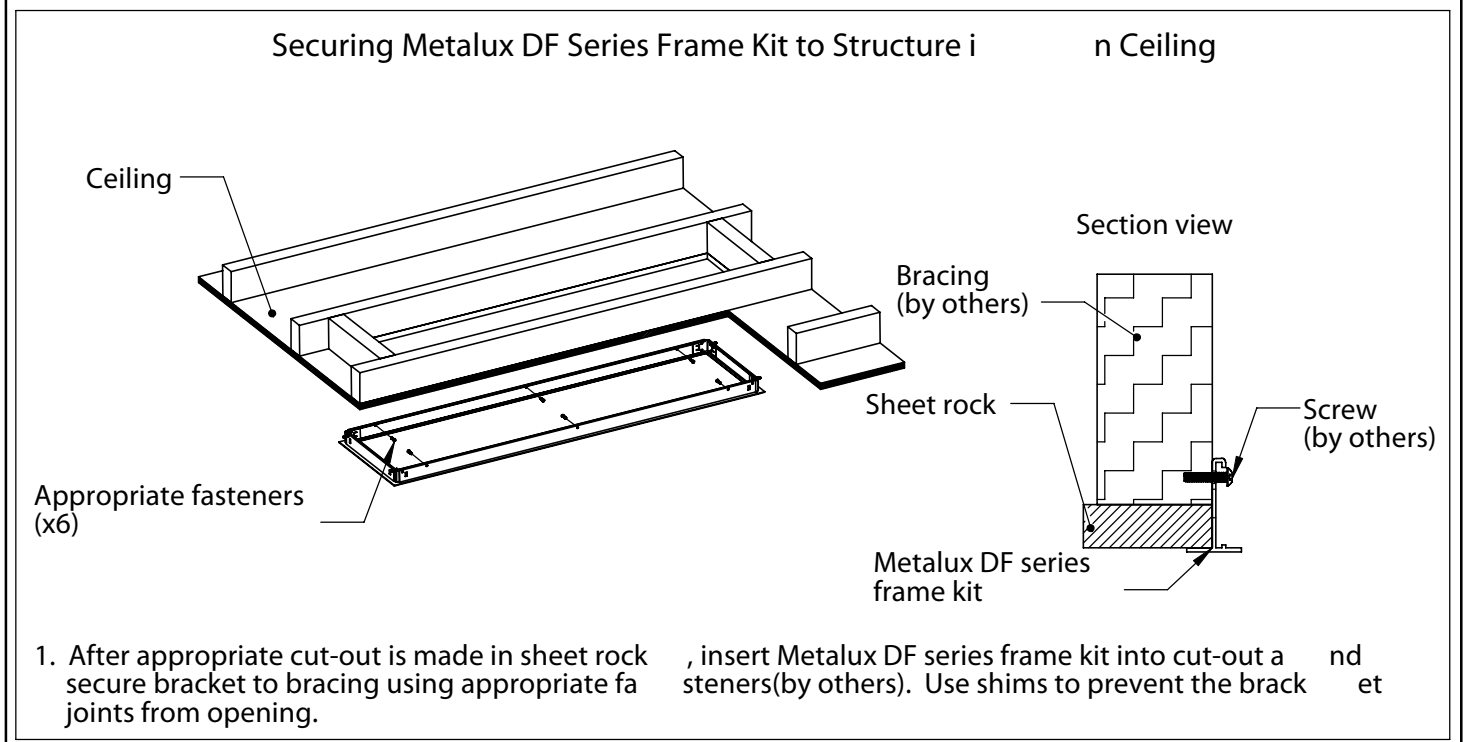
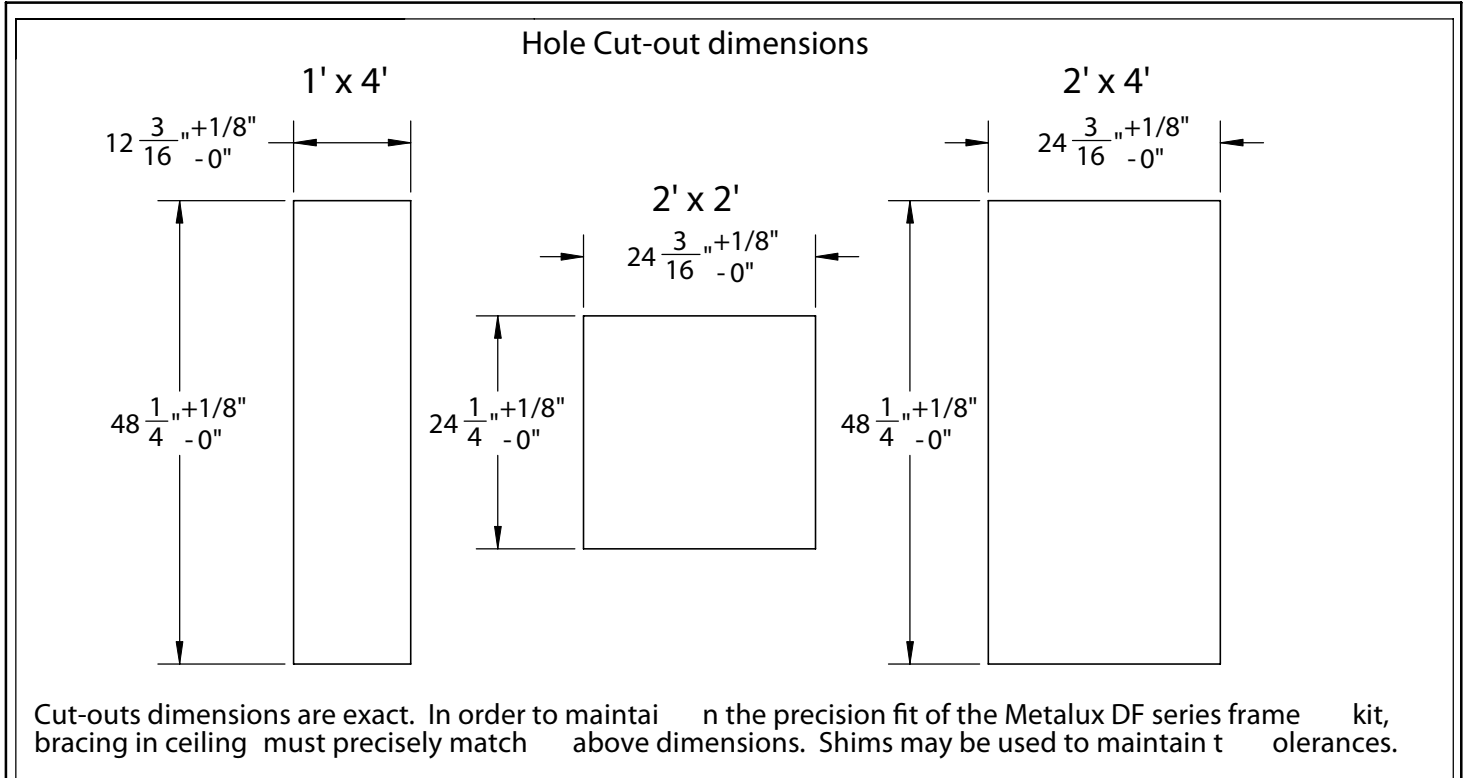


1. To assemble Metalux DF series frame kit, firmly insert corner bracket into one side of long section. Ensure corner bracket is facing the inside to will lock into place when fully positioned.
2. Firmly insert short section to other side of corner bracket. Repeat until ceiling bracket is fully assembled.

R1 Ultra Shallow Recessed
Concealed Ceiling Installation Instructions

1' x 4', 2' x 2', 2' x 4'

Warning : Before starting any work ensure that all sources of power are turned off. All work must meet local/national codes and be performed by a certified electrician. Do not mount fixtures vertically.



R1 Ultra Shallow Recessed Concealed Ceiling Installation Instructions

1' x 4', 2' x 2', 2' x 4'

Warning : Before starting any work ensure that all sources of power are turned off. All work must meet local/national codes and be performed by a certified electrician. Do not mount fixtures vertically.

Wiring the Fixture

1. Unless top access is available, fixture must be wired prior to installing fixture into Metalux DF series frame kit
2. Remove electrical cover plate from fixture and attach conduit(*supplied by others unless pre-ordered with 6' or 12' whip) to cover plate.
3. Loosen ground screw and secure ground wire to cover plate. Attach appropriate wires ensuring all connections are properly matched.
4. Secure cover plate to fixture.

Installing the Pre-wired Fixture

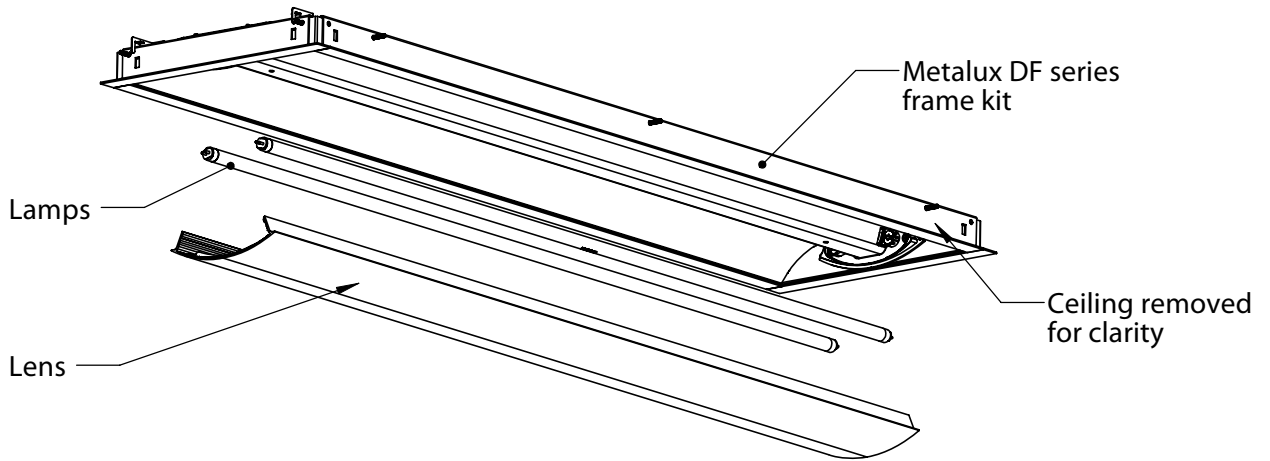
1. After wiring fixture and checking all connections, carefully rotate fixture and lift into Metalux DF series frame kit. Pre-installed acrylic inserts will rest on inside edge of Metalux DF series frame kit.

R1 Ultra Shallow Recessed
Concealed Ceiling Installation Instructions

1' x 4', 2' x 2', 2' x 4'

Warning : Before starting any work ensure that all sources of power are turned off. All work must meet local/national codes and be performed by a certified electrician. Do not mount fixtures vertically.

Installing Lamps into Fixture



1. Gently remove lens from fixture and store in a safe place.
2. Slide lamp contacts into sockets at both ends of fixture and rotate lamp to secure in socket.
3. Snap lens back into place around plastic end caps.

