

DESCRIPTION

An adjustable Single-lamp Recessed fixture for trimless installation suitable for downlighting and accent applications. Utilizes ONE (1) T6 G12 Metal Halide lamp.

For new construction applications. Insulation must be kept 3" from all sides and at least 1" above the housing.

SPECIFICATION FEATURES

A... Housing

Housing, junction box & trimless meshplate assembly are all steel construction. Perforated meshplate allows for trimless installation in drywall/plaster ceilings by allowing the ceiling's mudding compound to be applied right up to the edge of the fixture opening. Includes a beveled "knife-edge" lips to ensure a clean edge. Can accommodate 0.50" to 1.25" ceiling thickness. Optional Chicago Plenum configuration available.

B... System Protection:

Thermal protection provided to guard against overheating and misuse of insulation over and around fixture. Vent holes in housing provide cooler operation.

C... Junction Box

Junction Box is UL listed for through

branch wiring, 6 #12 90° C supply conductors or 60° C for end of run. The fixture is also UL listed as 'access above ceiling not required'.

D... Electrical

Electrical accessible through ceiling opening. J-Box located on the side wall of the housing behind removable access doors. Integral electronic metal halide ballasts on individually removable "trays" for easy maintenance. May also be configured for remote power.

E... Lamps

One (1) T6 G12 Metal Halide lamp with reflector mounted in adjustable double gimbal. Lamp holder is individually removable and may be regressed 1" for additional cut-off. Lamp can accept up to three optical accessories (i.e. lens + hex louver +

snoot). 45° x 45° locking lamp adjustment. Beveled-edge lamp ring is secured with threadless, bayonet action. Optional retractable arm is available for lamp pull-down and extreme aiming. Includes G12 socket.

F... Mounting

Butterfly Brackets accept 1/2" EMT, C Channel, Tbar fasteners, and bar hangers. Four tabs on housing for securing to structure. Perforated flaps along housing sides for securing trimless insert to fixture and drywall.

G... Labels

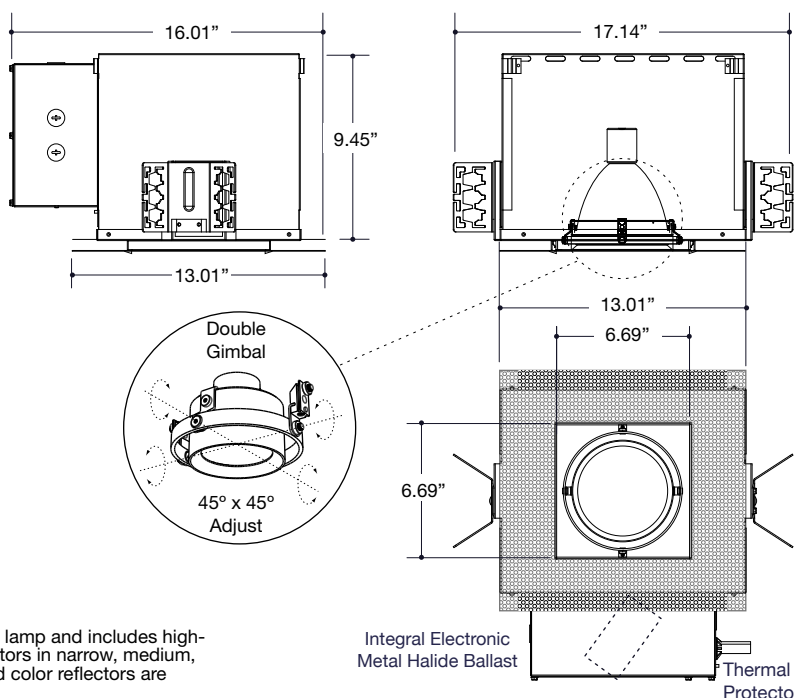
cULus listed for non-type IC applications, suitable for use in damp locations.

Ceiling Cut-Out: 7.49" x 7.49"

COMBOLIGHT® Next Generation Recessed Single-Lamp Fixture

One (1) Light
T6 G12 Metal Halide

New Construction
Housing
Trimless



T6 G12 Lamp with Reflectors

This fixture utilizes T6 Metal Halide lamp and includes high-performance clear aluminum reflectors in narrow, medium, or wide distributions. Non-standard color reflectors are available upon request.

ORDERING INFORMATION



C1			E		N		
Configuration C1 = COMBOLIGHT Recessed One (1) Light	Lamp Type / Wattage Label / Reflector Type 070T6N = 70 Watt T6 G12 Metal Halide / Narrow 070T6M = 70 Watt T6 G12 Metal Halide / Medium 070T6W = 70 Watt T6 G12 Metal Halide / Wide		Power Supply Voltage 1 = 120V 2 = 277V		Lamp Mechanism G = Double Gimbal R = Retractable Double Gimbal		Trim Finish W = White B = Black S = Industrial Silver
	Housing N = New Construction C = Chicago Plenum		Power Supply E = Electronic Metal Halide Ballast		Trim Insert N = Trimless		Housing Interior/Electrical Door /Sleeve Finish W = White B = Black S = Industrial Silver