

DESCRIPTION

An adjustable Single-lamp Recessed fixture for trimless installation suitable for downlighting and accent applications. Utilizes ONE (1) T4 G8.5 Metal Halide lamp.

For new construction applications. Insulation must be kept 3" from all sides and at least 1" above the housing.

Catalog #		Type
Project		
Comments		Date
Prepared by		

SPECIFICATION FEATURES

A... Housing

Housing, junction box & trimless meshplate assembly are all steel construction. Perforated meshplate allows for trimless installation in drywall/plaster ceilings by allowing the ceiling's mudding compound to be applied right up to the edge of the fixture opening. Includes a beveled "knife-edge" lips to ensure a clean edge. Can accommodate 0.50" to 1.25" ceiling thickness. Optional Chicago Plenum configuration available.

B... System Protection:

Thermal protection provided to guard against overheating and misuse of insulation over and around fixture. Vent holes in housing provide cooler operation.

C... Junction Box

Junction Box is UL listed for through

branch wiring, 6 #12 90° C supply conductors or 60° C for end of run. The fixture is also UL listed as 'access above ceiling not required'.

D... Electrical

Electrical accessible through ceiling opening. J-Box located on the side wall of the housing behind removable access doors. Integral electronic metal halide ballasts on individually removable "trays" for easy maintenance. May also be configured for remote power.

E... Lamps

One (1) T4 G8.5 Metal Halide lamp with reflector mounted in adjustable double gimbal. Lamp holder is individually removable and may be regressed 1" for additional cut-off. Lamp can accept up to three optical accessories (i.e. lens + hex louver +

snoot). 45° x 45° locking lamp adjustment. Beveled-edge lamp ring is secured with threadless, bayonet action. Optional retractable arm is available for lamp pull-down and extreme aiming. Includes G8.5 socket.

F... Mounting

Butterfly Brackets accept 1/2" EMT, C Channel, Tbar fasteners, and bar hangers. Four tabs on housing for securing to structure. Perforated flaps along housing sides for securing trimless insert to fixture and drywall.

G... Labels

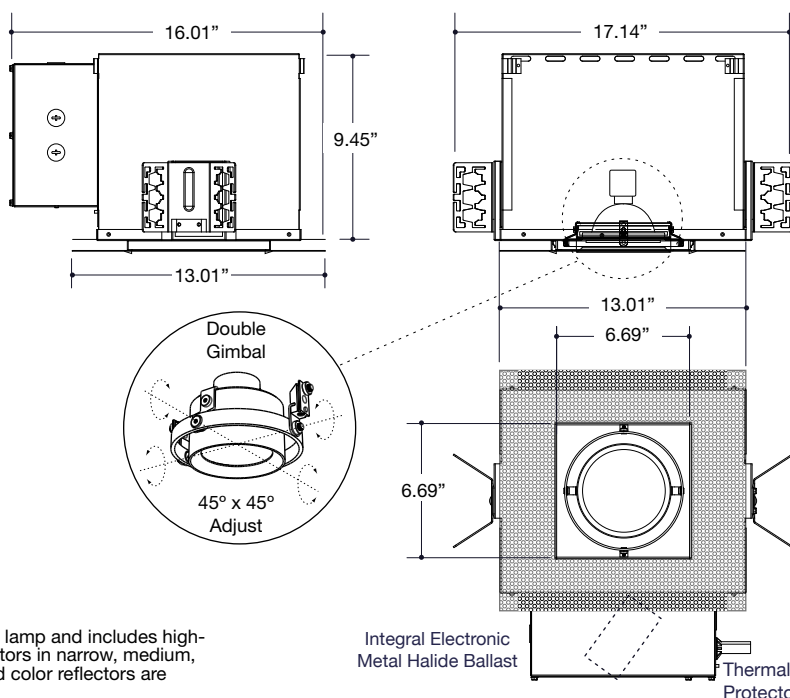
cULus listed for non-type IC applications, suitable for use in damp locations.

Ceiling Cut-Out: 7.49" x 7.49"

COMBOLIGHT® Next Generation Recessed Single-Lamp Fixture

One (1) Light
T4 G8.5 Metal Halide

New Construction
Housing
Trimless



T4 G8.5 Lamp with Reflectors

This fixture utilizes T4 Metal Halide lamp and includes high-performance clear aluminum reflectors in narrow, medium, or wide distributions. Non-standard color reflectors are available upon request.

ORDERING INFORMATION



C1		E	N	
Configuration C1 = COMBOLIGHT Recessed One (1) Light	Lamp Type / Wattage Label / Reflector Type 039T4N = 39 Watt T4 G8.5 Metal Halide / Narrow 039T4M = 39 Watt T4 G8.5 Metal Halide / Medium 039T4W = 39 Watt T4 G8.5 Metal Halide / Wide 070T4N = 70 Watt T4 G8.5 Metal Halide / Narrow 070T4M = 70 Watt T4 G8.5 Metal Halide / Medium 070T4W = 70 Watt T4 G8.5 Metal Halide / Wide	Power Supply Voltage 1 = 120V 2 = 277V	Lamp Mechanism G = Double Gimbal R = Retractable Double Gimbal	Trim Finish W = White B = Black S = Industrial Silver
Housing N = New Construction C = Chicago Plenum	Power Supply E = Electronic Metal Halide Ballast	Trim Insert N = Trimless	Housing Interior/Electrical Door / Sleeve Finish W = White B = Black S = Industrial Silver	