

## DESCRIPTION

An adjustable Multi-lamp Recessed fixture for trimless installation suitable for downlighting and accent applications. Utilizes FOUR (4) PAR30 120V lamps in a 2x2 square configuration.

For new construction applications. Insulation must be kept 3" from all sides and at least 1" above the housing.

<b>Catalog #</b>		<b>Type</b>
<b>Project</b>		
<b>Comments</b>		<b>Date</b>
<b>Prepared by</b>		

## SPECIFICATION FEATURES

### A... Housing

Housing, junction box & trimless meshplate assembly are all steel construction. Perforated meshplate allows for trimless installation in drywall/plaster ceilings by allowing the ceiling's mudding compound to be applied right up to the edge of the fixture opening. Includes a beveled "knife-edge" lips to ensure a clean edge. Can accommodate 0.50" to 1.25" ceiling thickness. Optional Chicago Plenum configuration available.

### B... System Protection:

Thermal protection provided to guard against overheating and misuse of insulation over and around fixture. Vent holes in housing provide cooler operation.

### C... Junction Box

Junction Box is UL listed for through

branch wiring, 6 #12 90° C supply conductors or 60° C for end of run. The fixture is also UL listed as 'access above ceiling not required'.

### D... Electrical

Electrical accessible through ceiling opening. J-Box located on the side wall of the housing behind removable access doors. Electrical components on individually removable "trays" for easy maintenance.

### E... Lamps

Four (4) PAR30 120V lamps mounted in adjustable double gimbals. Lamp holders are individually removable and may be regressed 1" for additional cut-off. Lamp can accept up to three optical accessories (i.e. lens + hex louver + snoot). 45° x 45° locking lamp adjustment. Beveled-edge lamp ring

is secured with threadless, bayonet action. Optional retractable arm is available for lamp pull-down and extreme aiming. Includes Med. base sockets.

### F... Mounting

Butterfly Brackets accept 1/2" EMT, C Channel, Tbar fasteners, and bar hangers. Four tabs on housing for securing to structure. Perforated flaps along housing sides for securing trimless insert to fixture and drywall.

### G... Labels

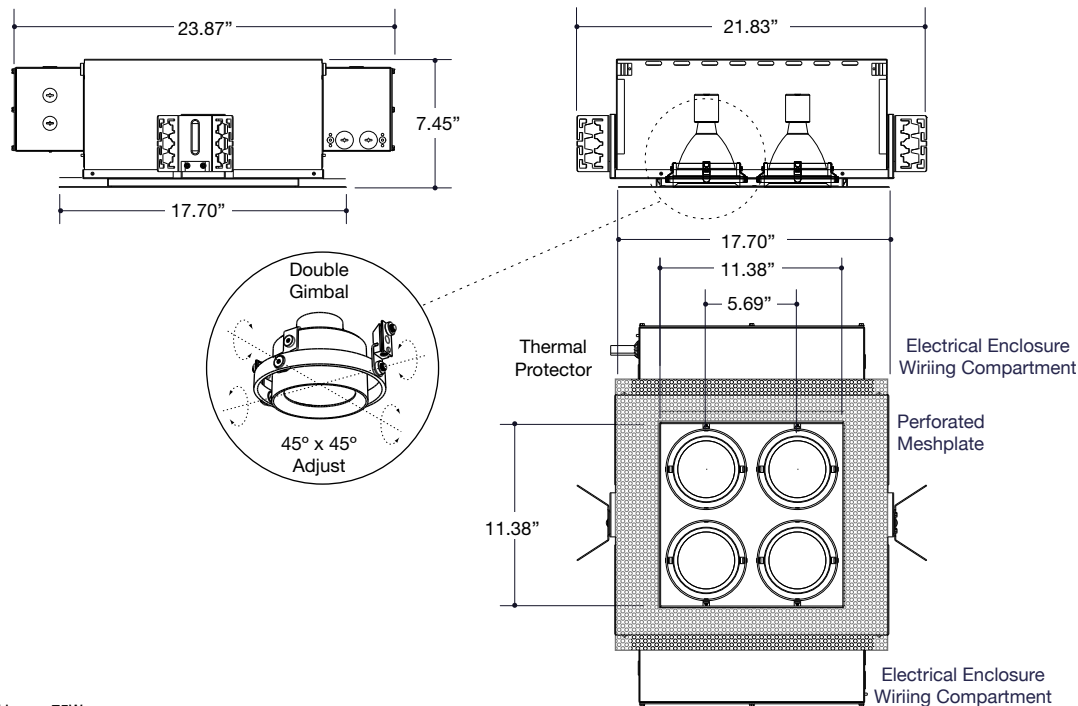
cULus listed for non-type IC applications, suitable for use in damp locations.

Ceiling Cut-Out: 12.18" x 12.18"

## COMBOLIGHT® Next Generation Recessed Multi-Lamp Fixture

Four (4) Light Square  
PAR30 120V

New Construction  
Housing  
Trimless



For use with PAR30 120V lamps 75W max.

## ORDERING INFORMATION



<b>CX</b>		<b>N</b>	<b>120</b>	<b>N</b>		<b>N</b>		
<b>Configuration</b> CX = COMBOLIGHT Recessed Four (4) Light Square	<b>Lamp Type / Wattage Label</b> 075P30 = 75 Watt max. PAR30 120V	<b>Primary Voltage</b> 1 = 120V	<b>Lamp Mechanism</b> G = Double Gimbal R = Retractable Double Gimbal	<b>Trim Insert Finish</b> N = Trimless	<b>Housing</b> N = New Construction C = Chicago Plenum	<b>Power Supply</b> N = None - Line Voltage Lamp	<b>Trim Insert</b> N = Trimless	<b>Housing Interior/Electrical Door/Sleeve Finish</b> W = White B = Black S = Industrial Silver