

DESCRIPTION

An adjustable Single-lamp Recessed fixture for trimless installation suitable for downlighting and accent applications. Utilizes ONE (1) 12V AR111 lamp.

For new construction applications. Insulation must be kept 3" from all sides and at least 1" above the housing.

Catalog #		Type
Project		
Comments		Date
Prepared by		

SPECIFICATION FEATURES

A... Housing

Housing, junction box & trimless meshplate assembly are all steel construction. Perforated meshplate allows for trimless installation in drywall/plaster ceilings by allowing the ceiling's mudding compound to be applied right up to the edge of the fixture opening. Includes a beveled "knife-edge" lips to ensure a clean edge. Can accommodate 0.50" to 1.25" ceiling thickness. Optional Chicago Plenum configuration available.

B... System Protection:

Thermal protection provided to guard against overheating and misuse of insulation over and around fixture. Vent holes in housing provide cooler operation.

C... Junction Box

Junction Box is UL listed for through

branch wiring, 6 #12 90° C supply conductors or 60° C for end of run. The fixture is also UL listed as 'access above ceiling not required'.

D... Electrical

Electrical accessible through ceiling opening. J-Box located on the side wall of the housing behind removable access doors. Integral electronic or magnetic low voltage transformers on individually removable "trays" for easy maintenance. May also be configured for remote power.

E... Lamps

One (1) 12V AR111 lamp mounted in adjustable double gimbal. Lamp holder is individually removable and may be regressed 1" for additional cut-off. Lamp can accept optical accessories. 45° x 45° locking lamp adjustment. Beveled-edge lamp ring is

secured with threadless, bayonet action. Optional retractable arm is available for lamp pulldown and extreme aiming.

F... Mounting

Butterfly Brackets accept 1/2" EMT, C Channel, Tbar fasteners, and bar hangers. Four tabs on housing for securing to structure. Perforated flaps along housing sides for securing trimless insert to fixture and drywall.

G... Labels

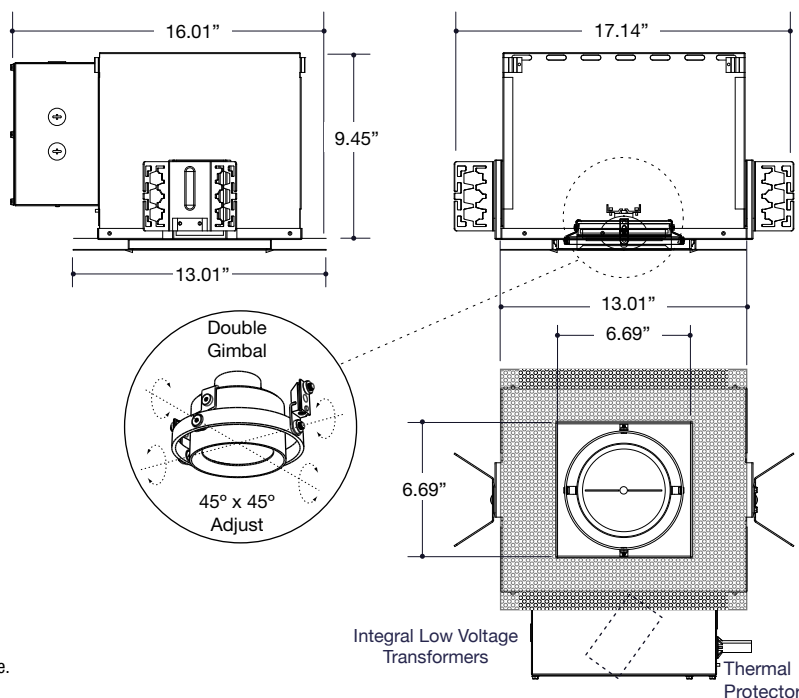
cULUS listed for non-type IC applications, suitable for use in damp locations.

Ceiling Cut-Out: 7.49" x 7.49"

COMBOLIGHT® Next Generation Recessed Single-Lamp Fixture

One (1) Light
12V AR111

New Construction
Housing
Trimless



NOTES:

- De-Rated wattage labels are available.
- 12V Primary voltage is available.
- 75W and 100W magnetic transformers are remote and sold separately.

ORDERING INFORMATION



C1				N			N
Configuration C1 = COMBOLIGHT Recessed One (1) Light	Lamp Type / Wattage Label 050A11 = 50 Watt max. AR111 12V 075A11 = 75 Watt max. AR111 12V 100A11 = 100 Watt max. AR111 12V		Power Supply Voltage 1 = 120V 2 = 277V	Lamp Mechanism G = Double Gimbal R = Retractable Double Gimbal	Trim Insert Finish N = Trimless		
Housing N = New Construction C = Chicago Plenum	Power Supply E = Electronic Low Voltage Transformer M = Magnetic Low Voltage Transformer		Trim Insert N = Trimless	Housing Interior/Electrical Door/Sleeve Finish W = White B = Black S = Industrial Silver			