

DESCRIPTION

An adjustable Multi-lamp Recessed fixture for trimless installation suitable for downlighting and accent applications. Utilizes FOUR (4) 12V MR16 lamps in a 2x2 square configuration.

For new construction applications. Insulation must be kept 3" from all sides and at least 1" above the housing.

Catalog #		Type
Project		
Comments		Date
Prepared by		

SPECIFICATION FEATURES

A... Housing

Housing, junction box & trimless meshplate assembly are all steel construction. Perforated meshplate allows for trimless installation in drywall/plaster ceilings by allowing the ceiling's mudding compound to be applied right up to the edge of the fixture opening. Includes a beveled "knife-edge" lips to ensure a clean edge. Can accommodate 0.50" to 1.25" ceiling thickness. Optional Chicago Plenum configuration available.

B... System Protection:

Thermal protection provided to guard against overheating and misuse of insulation over and around fixture. Vent holes in housing provide cooler operation.

C... Junction Box

Junction Box is UL listed for through

branch wiring, 6 #12 90° C supply conductors or 60° C for end of run. The fixture is also UL listed as 'access above ceiling not required'.

D... Electrical

Electrical accessible through ceiling opening. J-Box located on the side wall of the housing behind removable access doors. Integral electronic or magnetic low voltage transformers on individually removable "trays" for easy maintenance. May also be configured for remote power.

E... Lamps

Four (4) 12V MR16 lamps mounted in adjustable double gimbal. Lamp holders are individually removable and may be recessed 1" for additional cut-off. Lamp can accept up to three optical accessories (i.e. lens + hex louver + snoot). 45° x 45° locking

lamp adjustment. Beveled-edge lamp ring is secured with threadless, bayonet action. Optional retractable arm is available for lamp pull-down and extreme aiming.

F... Mounting

Butterfly Brackets accept 1/2" EMT, C Channel, Tbar fasteners, and bar hangers. Four tabs on housing for securing to structure. Perforated flaps along housing sides for securing trimless insert to fixture and drywall.

G... Labels

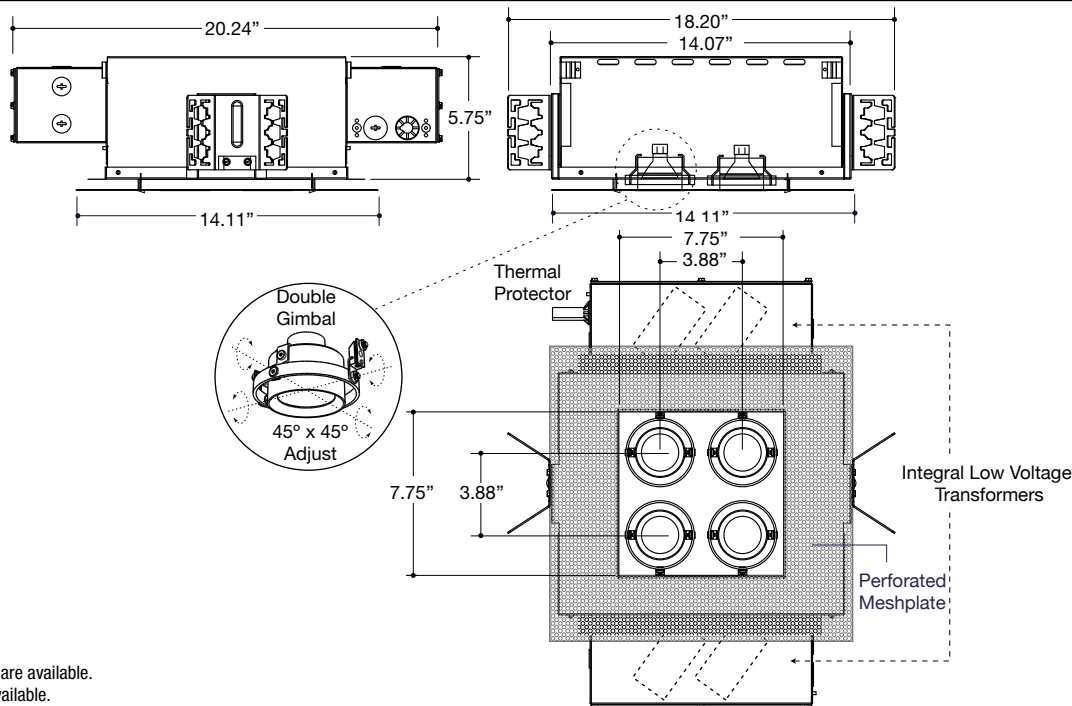
cULus listed for non-type IC applications, suitable for use in damp locations.

Ceiling Cut-Out: 8.55" x 8.55"

COMBOLIGHT® Next Generation Recessed Multi-Lamp Fixture

Four (4) Light Square
12V MR16

New Construction
Housing
Trimless



NOTES:

- De-Rated wattage labels are available.
- 12V Primary voltage is available.
- 71W magnetic transformers are remote and sold separately.

ORDERING INFORMATION



CX			N		N
Configuration CX = COMBOLIGHT Recessed Four (4) Light Square	Lamp Type / Wattage Label 037M16 = 37 Watt max. MR16 12V 042M16 = 42 Watt max. MR16 12V 050M16 = 50 Watt max. MR16 12V 071M16 = 71 Watt max. MR16 12V	Power Supply Voltage 1 = 120V 2 = 277V	Lamp Mechanism G = Double Gimbal R = Retractable Double Gimbal	Trim Insert Finish N = Trimless	
Housing N = New Construction C = Chicago Plenum	Power Supply E = Electronic Low Voltage Transformer M = Magnetic Low Voltage Transformer	Trim Insert N = Trimless	Housing Interior/Electrical Door/Sleeve Finish W = White B = Black S = Industrial Silver		