



INSTALLATION INSTRUCTIONS V90014B

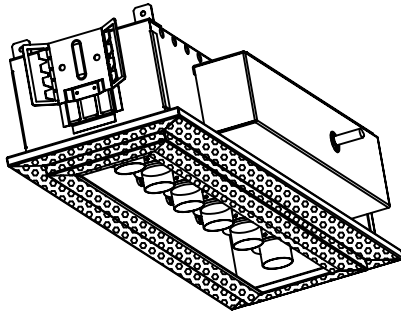
COMBO TRIMLESS SERIES

Model: LV-616-TR



Avoid Fire or Electric Shock

- *Installation Instructions for qualified electricians only.
- *Install per National Electrical Code and local regulations.
- *Read Installation Instructions completely before installation.
- *Failure to follow Installation Instructions may void warranties.



Fixture Mounting

1. Standard installation of this fixture requires a minimum Ceiling cutout of 7-1/8 inches x 28-3/8 inches.
2. Fixture comes equipped with Universal Butterfly Mounting Brackets and can take common 1 inch or 1-1/2 inch Black Iron or Galvanized Mounting Channels (Supplied By Others). See Fig. 1.
3. Position Fixture so the Mounting Channels lie on top of ceiling runners.
4. Fasten Mounting Channels securely to ceiling runners.
5. Secure Mounting Channels to Universal Butterfly Mounting Brackets with wire tie downs.
6. Hang Fixture Assembly from Mounting Brackets with heavy gauge support wire for additional security. See Fig. 2.

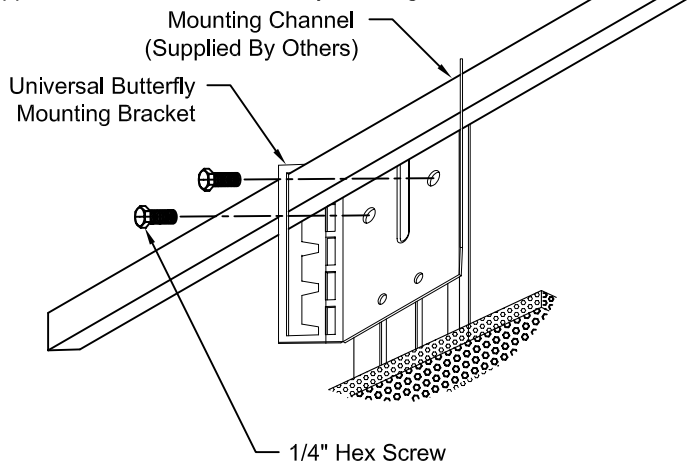


Figure 1

Fixture Mounting (Con't)

7. Adjust elevation of Fixture so Trimless Edge will be flush with surface of finished Ceiling by loosening two (2) 1/4 inch Hex Screws on both Universal Butterfly Mounting Brackets. See Fig. 1 & Fig. 2.
8. Tighten two (2) 1/4 inch Hex Screws on both Universal Butterfly Mounting Brackets to secure Fixture. See Fig. 1.
9. Apply Mudding compound to Ceiling concealing Mudding Frame. See Fig. 2.

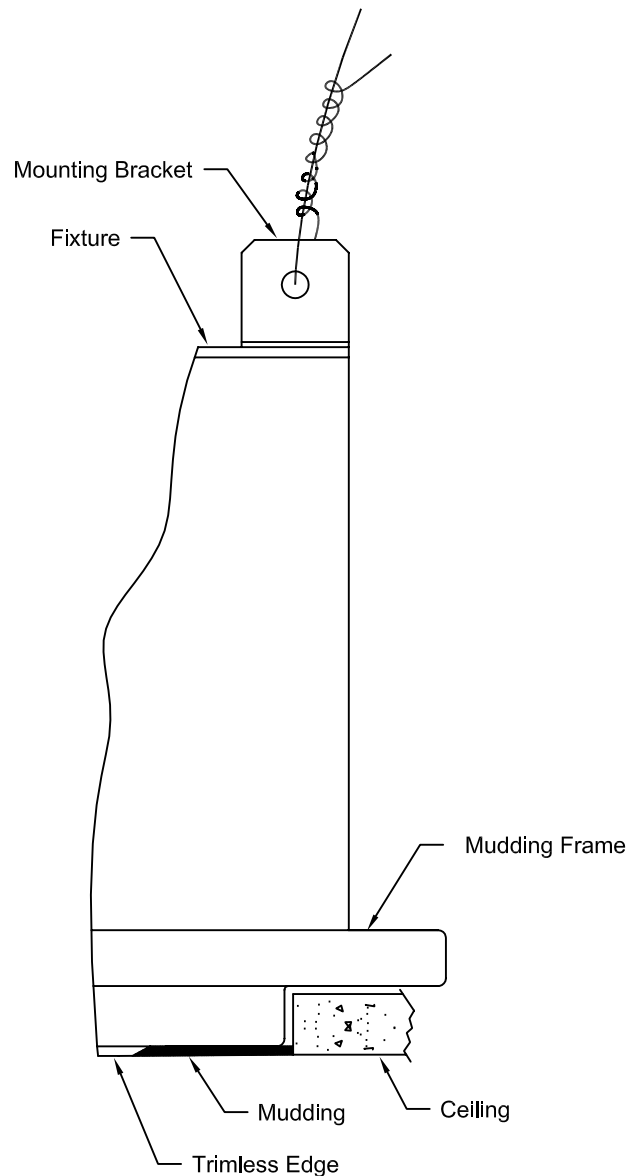


Figure 2



INSTALLATION INSTRUCTIONS (CON'T) V90014B

COMBO TRIMLESS SERIES

Model: LV-616-TR

Electrical Connection

*Fixture supplied with one point of electrical entry.



1. Turn OFF Electrical Service.
2. Remove Transformer Enclosure Cover by removing two (2) #6-32 Panhead Screws. See Fig. 3.
3. Pull electrical wires from Transformer Enclosure through 7/8 inch Knockout Hole in Enclosure Cover. See Fig. 3.
4. Connect electrical wires from Transformer Enclosure to existing electrical service.
5. Replace Transformer Enclosure Cover.
6. Test operation of Fixture.

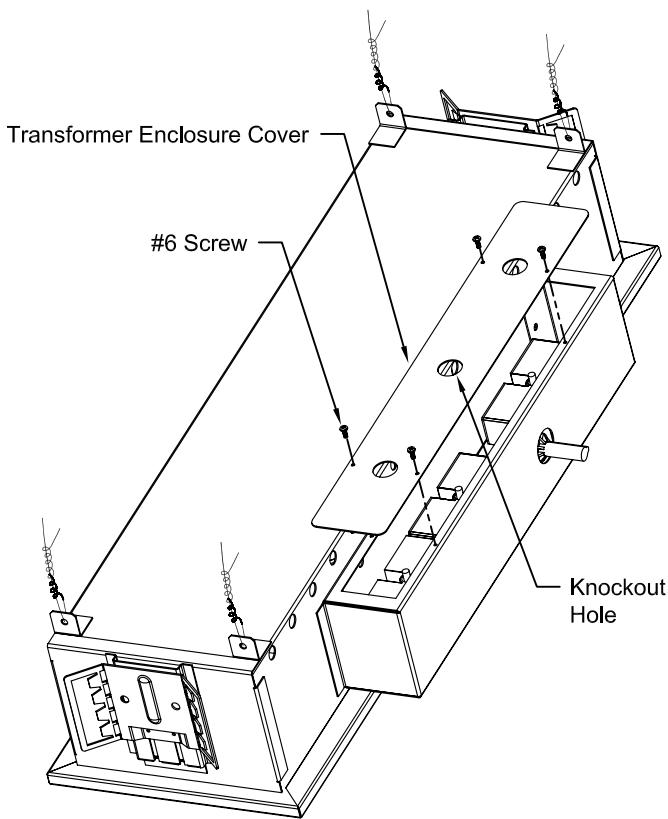


Figure 3

Lamping

*DO NOT use Snoot as lever to rotate or position lamp gimbals.

1. Remove Lamp Ring Cover, O-Ring, Snoot, Diffuser Filter and Filter Retaining Ring by rotating Lamp Ring Cover counter clockwise. See Fig. 4.
2. Draw Bi-pin Lamp Socket through Lamp Ring and seat.
3. Replace Lamp Ring Cover Assembly. See Fig. 5.

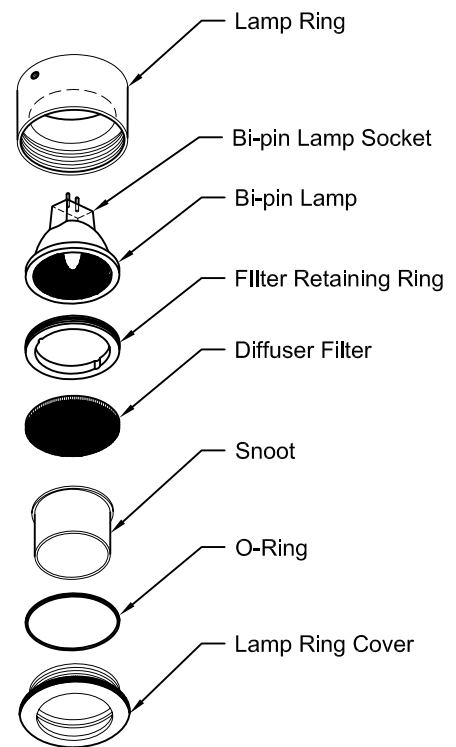


Figure 4

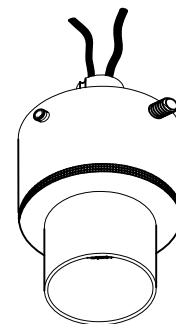


Figure 5