

DESCRIPTION

New construction housing for Versa Metal Halide Adjustable and Accent trims (CDMA-T4, CDMA-P2, CDMC-C1, CDMC-P3).

For new construction applications. Insulation must be kept 3" from all sides and at least 1" above the housing.

Catalog #		Type
Project		
Comments		Date
Prepared by		

SPECIFICATION FEATURES

A...Housing

Housing and plaster frame: 18 gauge CRS. Housing is powder coated white. Housing adjusts in plasterframe to accommodate 1/2" to 1-1/4" ceiling thickness. Housing includes slots for trim torsion spring retainers.

B...System Protection:

Thermal protection provided to guard against overheating and misuse of insulation over and around fixture.

C...Electrical

Integral j-box and electronic metal halide ballast. 120V or 277V input. Junction box is U.L. listed for through branch wiring. Includes five 1/2 trade size knockouts.

D...Lamp

Quick-connect wire connector attached to ballast for connection to Versa Metal Halide trims. Trims have quick-connector wired to lamp socket. For use with Metal Halide lamps only.

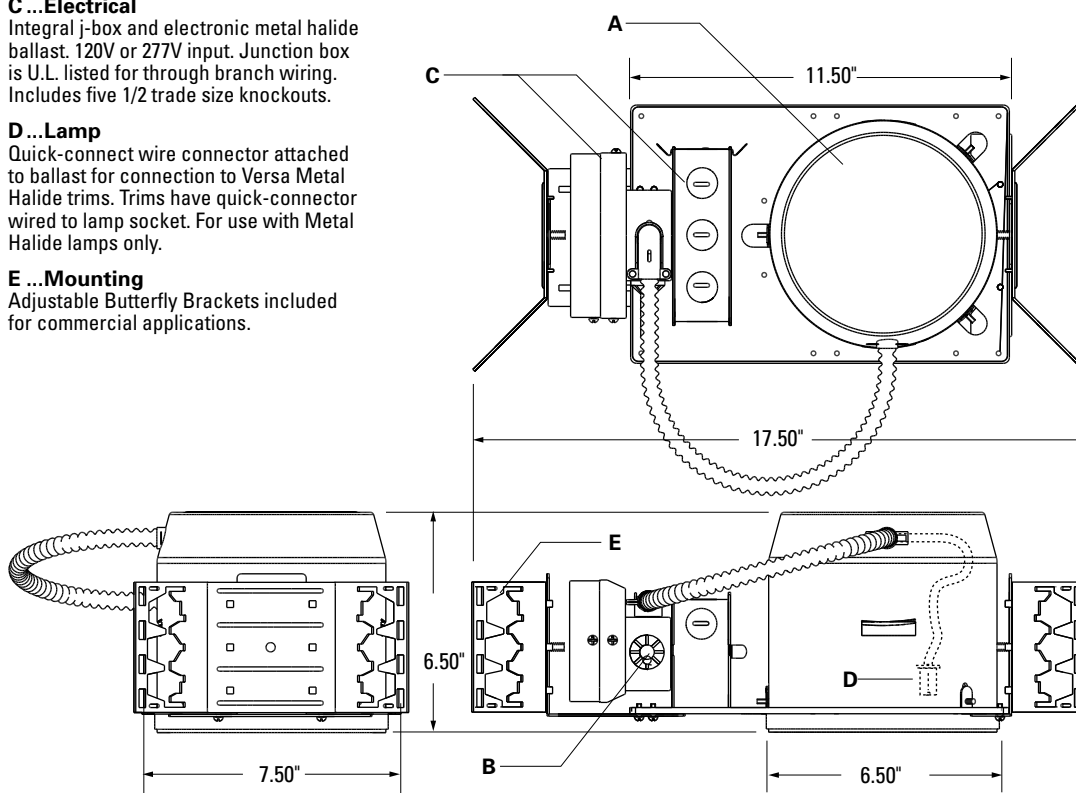
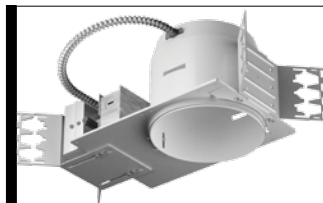
E...Mounting

Adjustable Butterfly Brackets included for commercial applications.

F...Labels

UL Listed, cUL Lited Damp Location

Ceiling Cut-Out: 6.75"



VERSA 6" RECESSED HOUSING

CDM6NCMH New Construction w/ Integral Metal Halide Ballast

For 20W, 39W or 70W
metal halide trims



ORDERING INFORMATION

CDM6NCMH		
Housing CDM6NCMH = Versa 6" New Construction Housing w/ Integral Metal Halide Ballast	Lamp Wattage 20 = 20 watt metal halide 39 = 39 watt metal halide 70 = 70 watt metal halide	Voltage 120 = 120 volts primary 277 = 277 volts primary