

DESCRIPTION

Shallow insulated ceiling AirTite (I.C.) Microgem recessed low voltage housing with integral magnetic transformer 50W max. 120V or 277V.

For use in insulated ceiling (I.C.) applications. Housing may be covered on all sides with insulation material.

Catalog #		Type
Project		
Comments		Date
Prepared by		

SPECIFICATION FEATURES

A...Housing

Shallow low voltage recessed fixture housing for insulated ceiling installations. Includes integral low voltage magnetic transformer. All aluminum construction. 14 ga. steel junction box.

B...Electrical

Socket is pre-wired to the j-box 18AWG SF-1 leads. Primary lead is 120V or 277V. Transformer is rated 180° Class H. State of Washington AirTite approved.

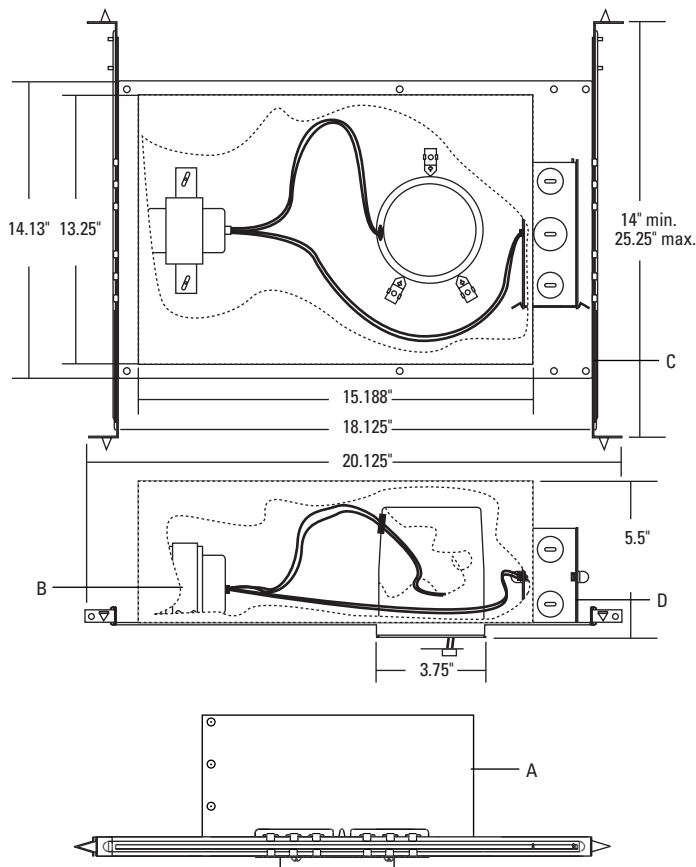
C...Mounting

Provided with two (2) adjustable 16 ga. steel hanger bars which can be extended to 25.25".

D...System Protection

Transformers have thermal protection and operate at 11.5 volts nominal.

Ceiling Cut-Out: 3.75" dia.



MICROGEM SHALLOW HOUSING

C900
Insulated Ceiling
AirTite Shallow
Housing w/ Integral
Low Voltage
Transformer
FOR 12V LAMP 50W max.



ORDERING INFORMATION

C900	
Housing C900 = Microgem shallow insulated ceiling low voltage recessed housing.	Voltage 120 = 120 volts primary 277 = 277 volts primary