

COMBOLIGHT® GALLERIA Series • CGSHM

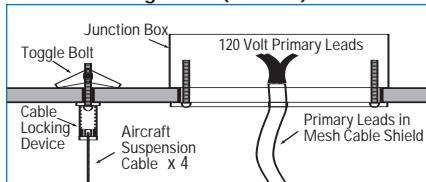
THREE (3) Light Horizontal Suspended
Grid Configuration "B" • Lamp Groups 1, 2 & 3
Metal Halide w/ Integral Aromat® Ballasts

Catalog #

Type

Project

Cable Mounting Detail (CGSHM)



DESCRIPTION:

A horizontally suspended, grid style multi-lamp fixture. Fixture is suspended from the ceiling with 1/16" steel cable.

CONSTRUCTION:

All aluminum construction. Grid is made of .75" square aluminum tubing with .062" wall thickness. Perforated metal ballast enclosure for cooler operation.

LAMP ASSEMBLY:

Three lamps mounted in adjustable double gimbal lamp holders. Dual axis 90° x 90° locking adjustability.

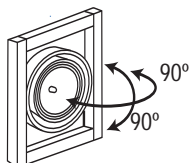
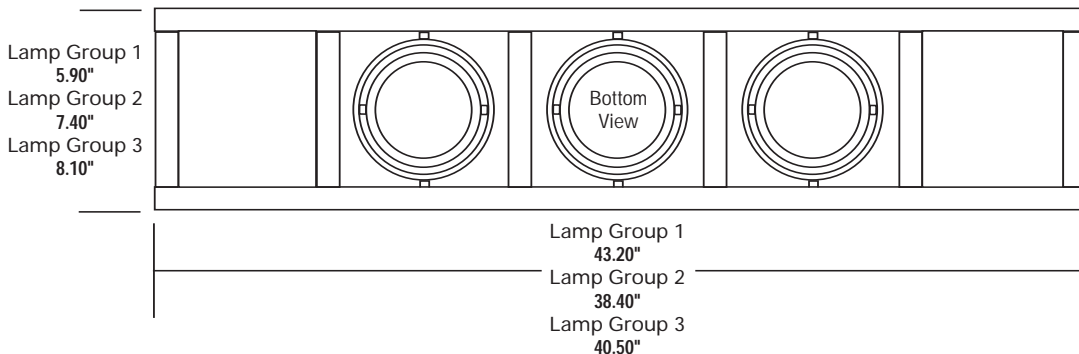
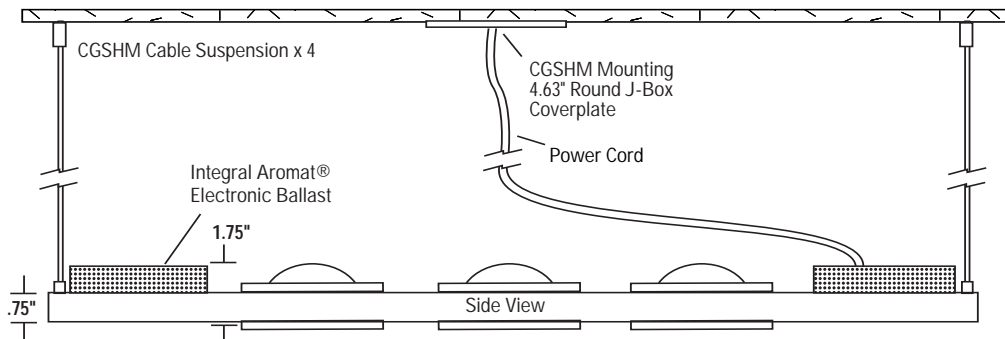
ELECTRICAL:

Configured with integral Aromat® electronic ballasts.

ALL RSA COMBOLIGHT PRODUCTS ARE MADE IN THE U.S.A.

Label: UL, CSA and New York Calendar

This sheet represents a standard configuration. Custom configurations are available with Galleria fixtures. Consult RSA for details.



Adjustable double gimbal lamp holder accepts up to two optical accessories

GRID CONFIGURATION "B"

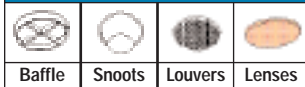
This sheet is for Grid Configuration "B". To see other grid configurations, consult other Combolight Galleria Series spec sheets.

IMPORTANT: USING THIS SPEC SHEET

This fixture is dimensioned according to lamp type. Please select lamp from either Lamp Group 1, 2 or 3 - and then refer to the appropriate dimensions of fixture as shown above.



Optional Accessories - Details on Other Side



Cat. # / Description	Lamp Type	Grid Configuration	Finish	
CGSHM - Horizontal Cable Suspension	Lamp Group 1	B - Three Light	BK - Black	
	Lamp Group 2		11 - PAR20MH 39W	WH - White
			21 - PAR30MH 39W 22 - PAR30MH 70W	
	Lamp Group 3		31 - PAR38MH 70W	S - Silver
			32 - PAR38MH 100W	
				PC - Polished Chrome
		PT - Custom		
SPECIFY -		B		