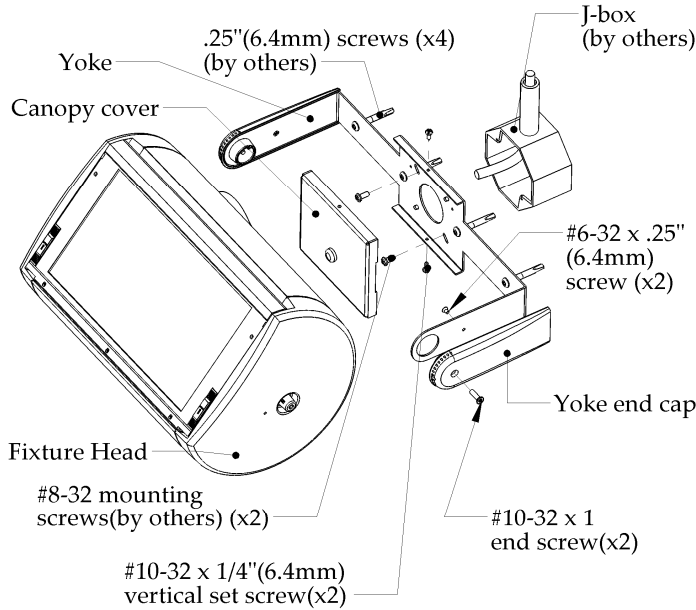


These installation instructions are valid with the above Ametrix styles.

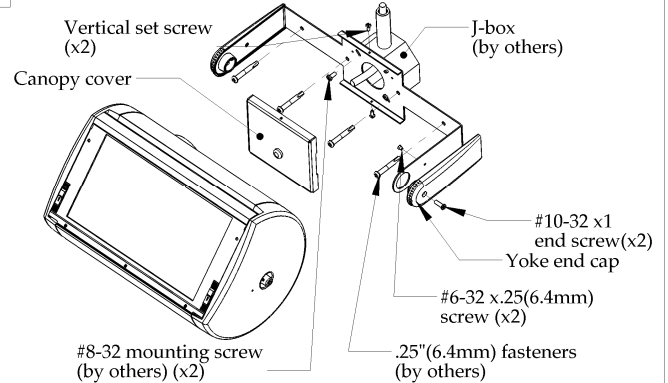
Large, INDOOR YR (16 1/2") Visor and Non-Visor

Warning: Before starting any work ensure that all sources of power are turned off. All work must meet local/national codes and be performed by a certified electrician. **Do not** mount fixtures vertically.

Exploded view and part call-out

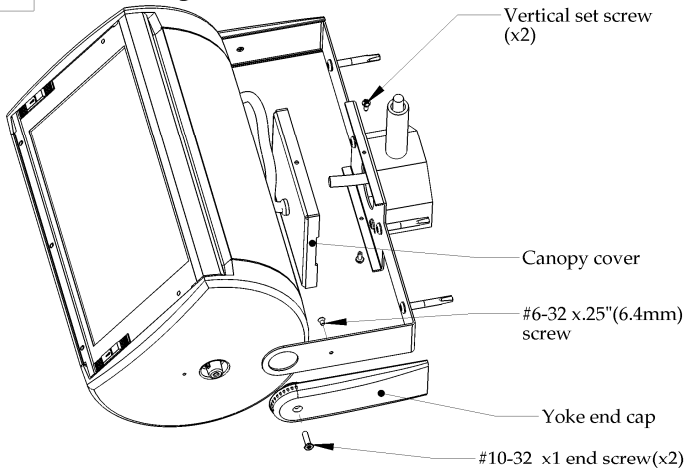


1 Fixing mounting plate to j-box and surface



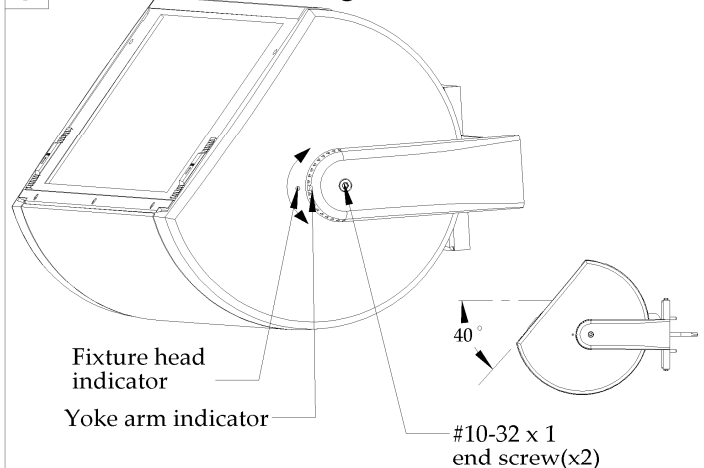
1. To secure yoke to wall or ceiling, the fixture head must be removed. First, remove both #10-32 x1 end screws.
2. Remove **one** #6-32 x.25(6.4mm) screw to remove yoke end cap and fixture head. Place both fixture head and yoke end cap in a safe place.
3. Remove both vertical set screws and remove canopy cover, store with fixture head and yoke end cap.
4. With fixture head and yoke end cap safely stored, secure yoke to j-box using #8-32 screws (by others).
5. With yoke secured to j-box, use additional .25"(6.4mm) fasteners (by others) to fully secure yoke.

2 Wiring and re-installation of fixture head

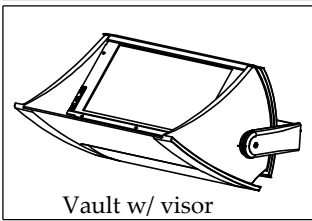


1. With yoke securely attached to surface, pull fixture wires through grommet in canopy cover and attach wires to power feed, ensuring all connections are properly matched.
2. Insert fixture head between yoke, replace yoke end cap and secure with #6-32 x.25"(6.4mm) screw.
3. Replace both #10-32 x1 end screws.
4. Secure canopy by replacing both vertical set screws

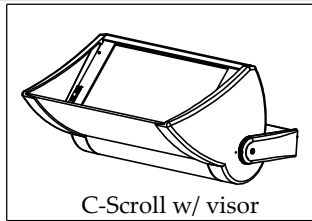
3 Aiming the fixture



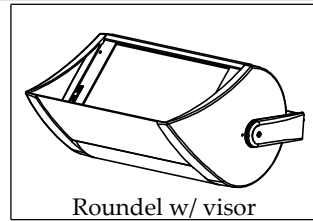
1. To aim fixture, loosen both #10-32 x1 end screws. When the PointGrab™ system indicators are lined up, the slope of the lens face is 40-degrees. Each subsequent notch is an additional 10-degrees.
2. When the fixture head is adjusted to the desired angle, re-tighten end screws to secure the position.



Vault w/ visor



C-Scroll w/ visor



Roundel w/ visor

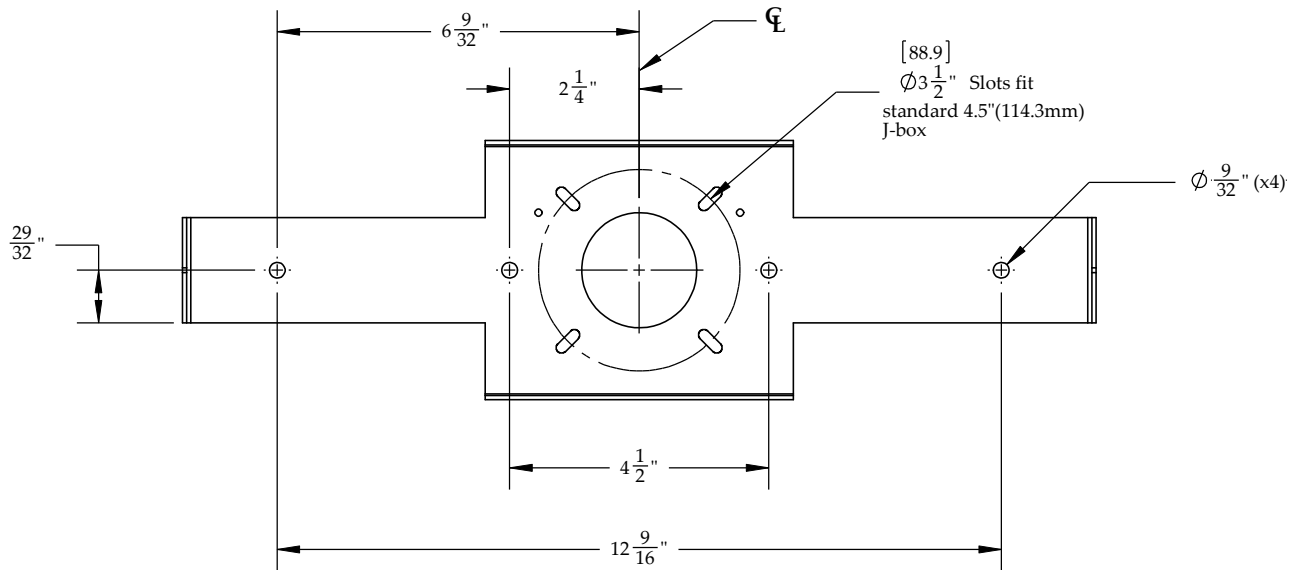
These installation instructions are valid with the above Ametrix styles

**Large, INDOOR
YR (16 1/2")
(Yoke mount, Remote ballast)
Visor and Non-Visor**

Warning: Before starting any work ensure that all sources of power are turned off. All work must meet local/national codes and be performed by a certified electrician. **Do not** mount fixtures vertically.

Mounting Plate Dimensions In [mm]

Mounting dimensions are for 16 1/2"(419.1mm) large YR indoor only



Lamping Size Chart
(lamps provided by others)

FIXTURE SIZE (inches/ mm)	WATTAGE	# OF LAMPS	LAMP TYPE	LAMP DESCRIPTION	Lamp (not to scale)
16 1/2 / 419.1	32 W	1	T4	Compact Fluorescent	
16 1/2 / 419.1	42 W	1	T4	Compact Fluorescent	
16 1/2 / 419.1	57 W	1	T4	Compact Fluorescent	
16 1/2 / 419.1	100 W	1	ED17	Ceramic Metal Halide	
16 1/2 / 419.1	150 W	1	T6	Ceramic Metal Halide	
16 1/2 / 419.1	175 W	1	ED17	Ceramic Metal Halide	