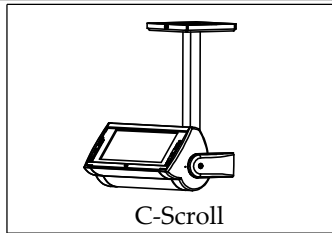
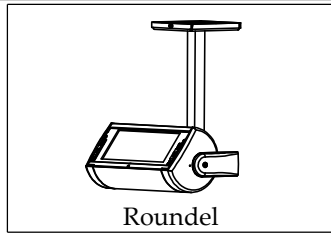


Vault



C-Scroll



Roundel

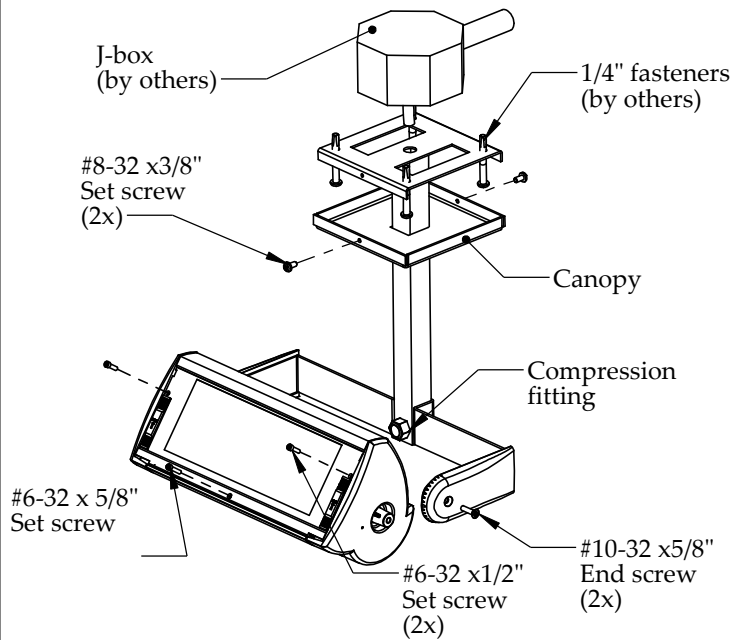
These installation instructions are valid with the above Ametrix styles.

Small, OUTDOOR P1R

(Pendant, 1-way, Remote ballast)
Visor and Non-Visor

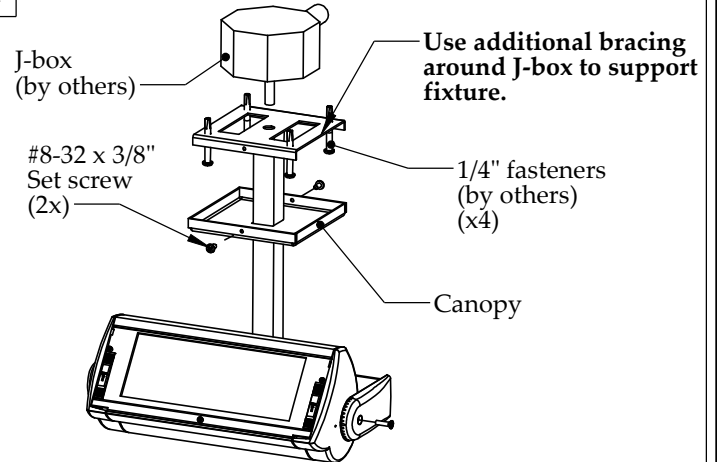
Warning: Before starting any work ensure that all sources of power are turned off. All work must meet local/national codes and be performed by a certified electrician. Do not mount fixtures vertically.

Exploded view and part call-out



1

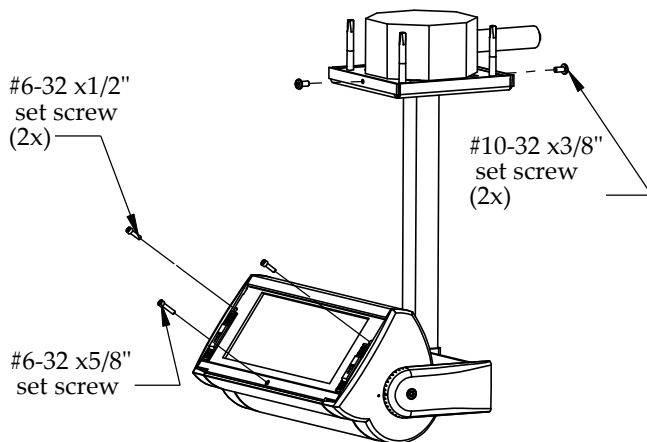
Securing fixture to ceiling



- Using both #10-32 x 5/8" end screws, secure fixture head to yoke on pendant and run wire through compression fitting and into pendant.
- Remove both #10-32 x 3/8" set screws and allow canopy to slide down pendant.
- Run wires from pendant and j-box through wiring holes in mounting plate.
- Using appropriate fasteners, secure fixture to ceiling. Use additional bracing around J-box to support fixture.

2

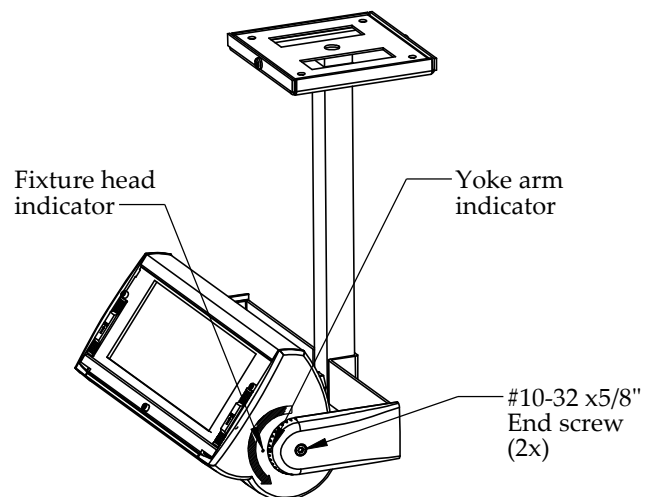
Wiring & sealing the fixture



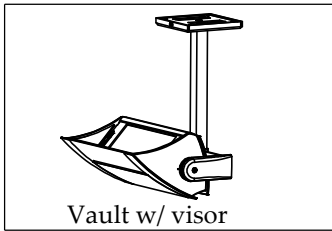
- After securing fixture to ceiling, attach appropriate wires and ensure all connections are properly matched.
- Push wire connections into j-box and cover mounting plate with canopy.
- Secure canopy using both #10-32 x 3/8" set screws.
- To seal door, refer to torque sequence supplementary page.

3

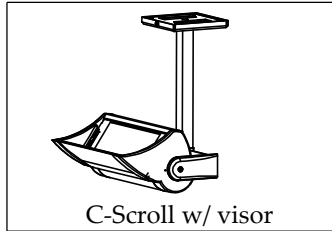
Aiming the fixture



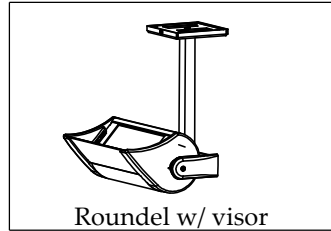
- To aim fixture, loosen both #10-32 x 5/8" end screws. When both indicators are lined up, the slope of the lens face is 40-degrees. Each subsequent notch is an additional +/- 10-degrees
- When fixture head is rotated to desired angle, retighten end screws to secure the position.



Vault w/ visor



C-Scroll w/ visor



Roundel w/ visor

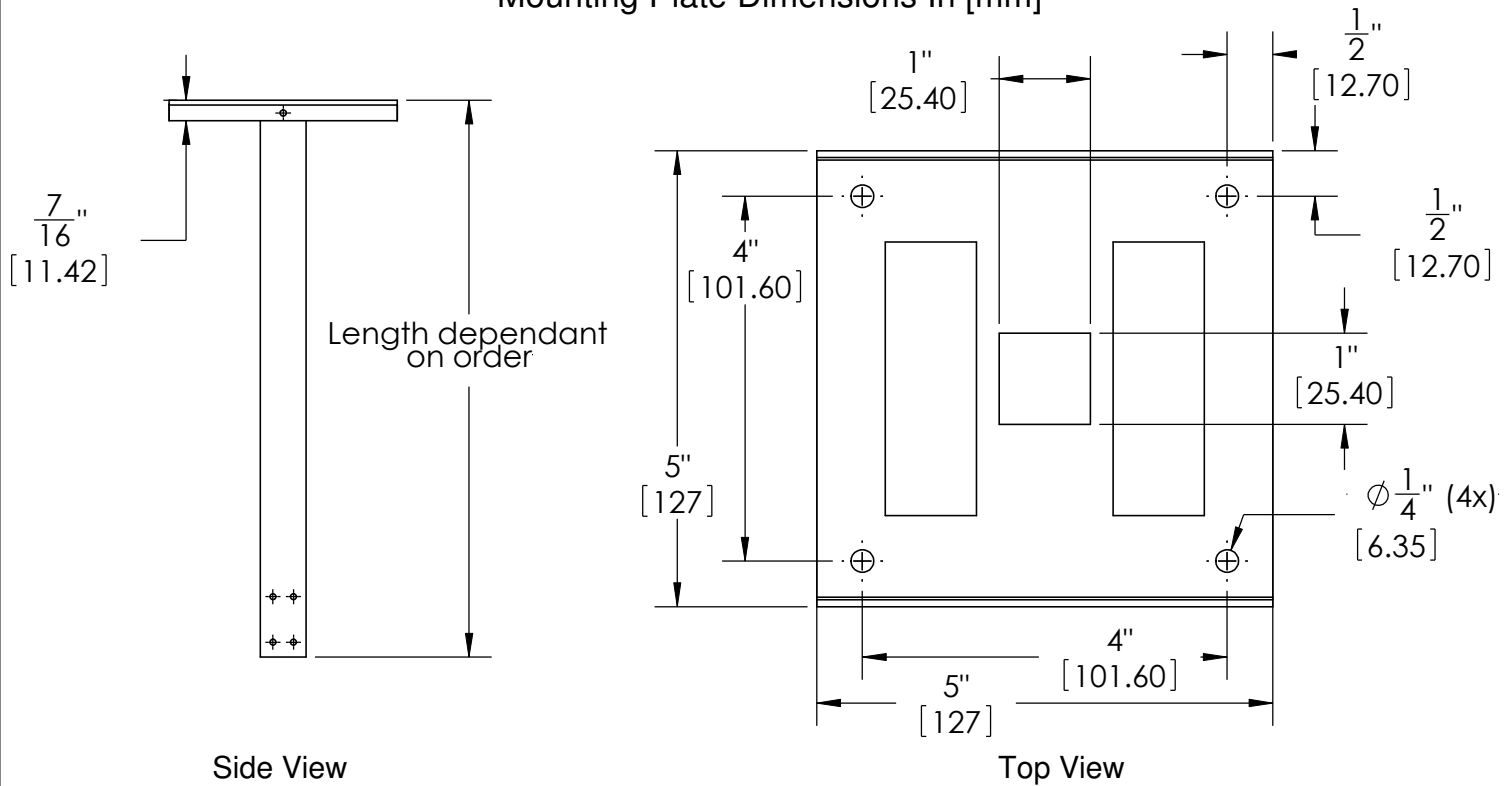
These installation instructions are valid with the above Ametrix styles

Small, OUTDOOR P1R

(Pendant, 1-way, Remote ballast)
Visor and Non-Visor

Warning: Before starting any work ensure that all sources of power are turned off. All work must meet local/national codes and be performed by a certified electrician. **Do not** mount fixtures vertically.

Mounting Plate Dimensions In [mm]



Lamping Size Chart (lamps provided by others)

FIXTURE SIZE (inches/ mm)	WATTAGE	# OF LAMPS	LAMP TYPE	LAMP DESCRIPTION	LAMP (not to scale)
10 3/4 / 273.05	39 W	1	T6	Ceramic Metal Halide	
12 3/4 / 323.85	70 W	1	T6	Ceramic Metal Halide	
12 3/4 / 323.85	150 W	1	T6	Ceramic Metal Halide	
12 3/4 / 323.85	26 W	1	4-Pin Triple Tube	Compact Fluorescent	 Use only GE or Sylvania CFL lamps
12 3/4 / 323.85	32 W	1	4-Pin Triple Tube	Compact Fluorescent	
12 3/4 / 323.85	42 W	1	4-Pin Triple Tube	Compact Fluorescent	
10 3/4 / 273.05	100 W	1	T4	Halogen (Single Ended)	
12 3/4 / 323.85	150 W	1	T4	Halogen (Single Ended)	
12 3/4 / 323.85	250 W	1	T4	Halogen (Single Ended)	