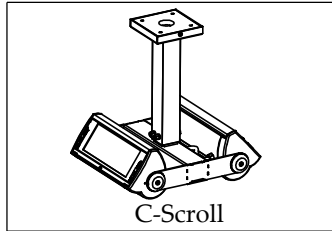
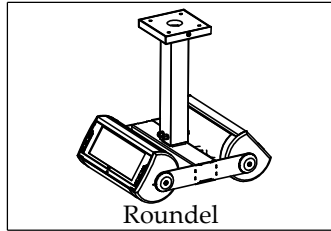


Vault



C-Scroll



Roundel

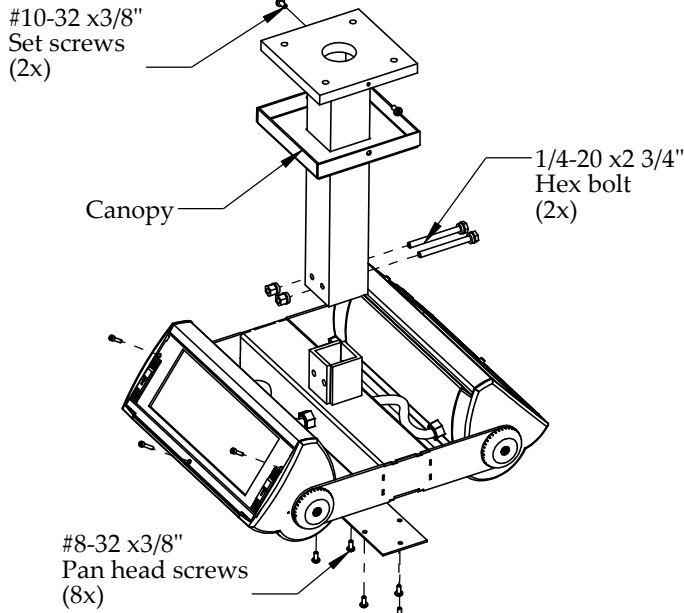
These installation instructions are valid with the above Ametrix styles.

Small, OUTDOOR P2R

(Pendant, 2-way, Remote ballast)
Visor and Non-Visor

Warning: Before starting any work ensure that all sources of power are turned off. All work must meet local/national codes and be performed by a certified electrician. Do not mount fixtures vertically.

Exploded view and part call-out



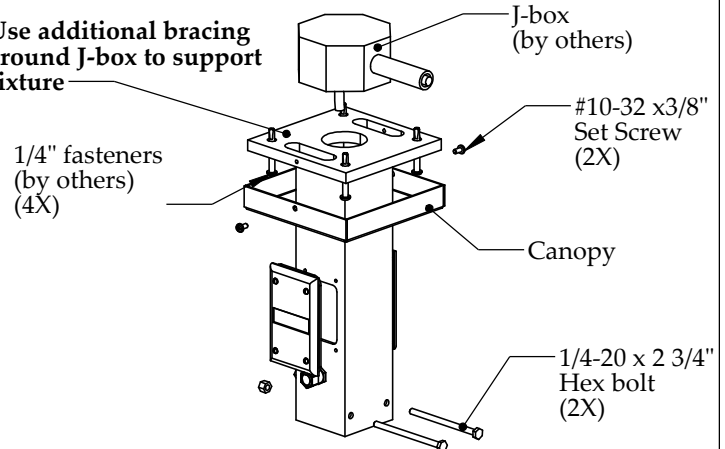
Attention:

Dual fixture assemblies require additional bracing/structure around J-box to support fixture.

1

Securing Fixture to Ceiling

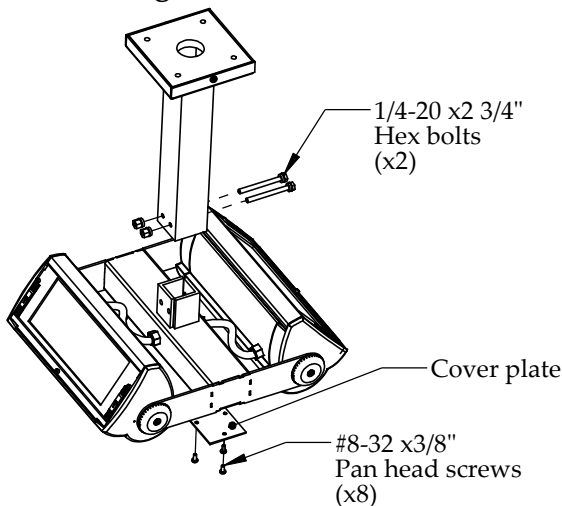
Use additional bracing around J-box to support fixture



1. Remove both 1/4-20 x 2 3/4" hex bolts from bottom of pendant.
2. Remove both #10-32 x 3/8" set screws and allow canopy to slide down pendant.
3. Run wires from J-box into pendant, ensure there is enough wire to reach cover plate on bottom of fixture assembly.
4. Using appropriate fasteners, secure fixture to ceiling. **Use additional bracing around J-box to support fixture.**
5. Replace canopy and secure using both set screws.

2

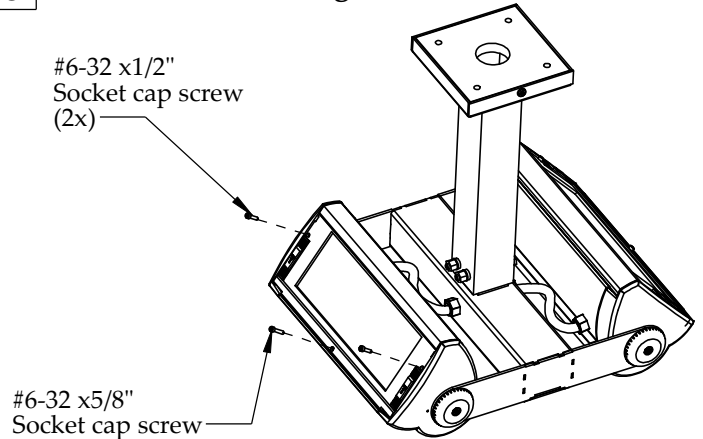
Wiring the fixture



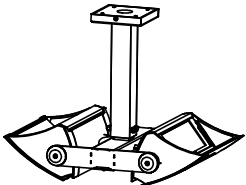
1. Slide fixture assembly onto pendant and secure with both 1/4-20 x2 3/4" hex bolts.
2. Remove cover plate on bottom of fixture assembly.
3. Attach appropriate wires and ensure all connections are properly matched.
4. Secure cover plate with eight #8-32 x3/8" pan head screws.

3

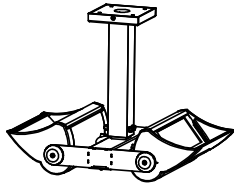
Sealing the fixture



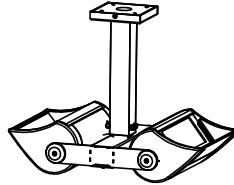
1. To seal fixture, ensure door is secured with provided socket cap screws. Secure #6-32 x1/2" socket cap screws above door latches.
2. Secure #6-32 x5/8" socket cap screw into center of door.
3. Refer to supplementary sheets for torque specs and aiming instructions.



Vault w/ visor



C-Scroll w/ visor



Roundel w/ visor

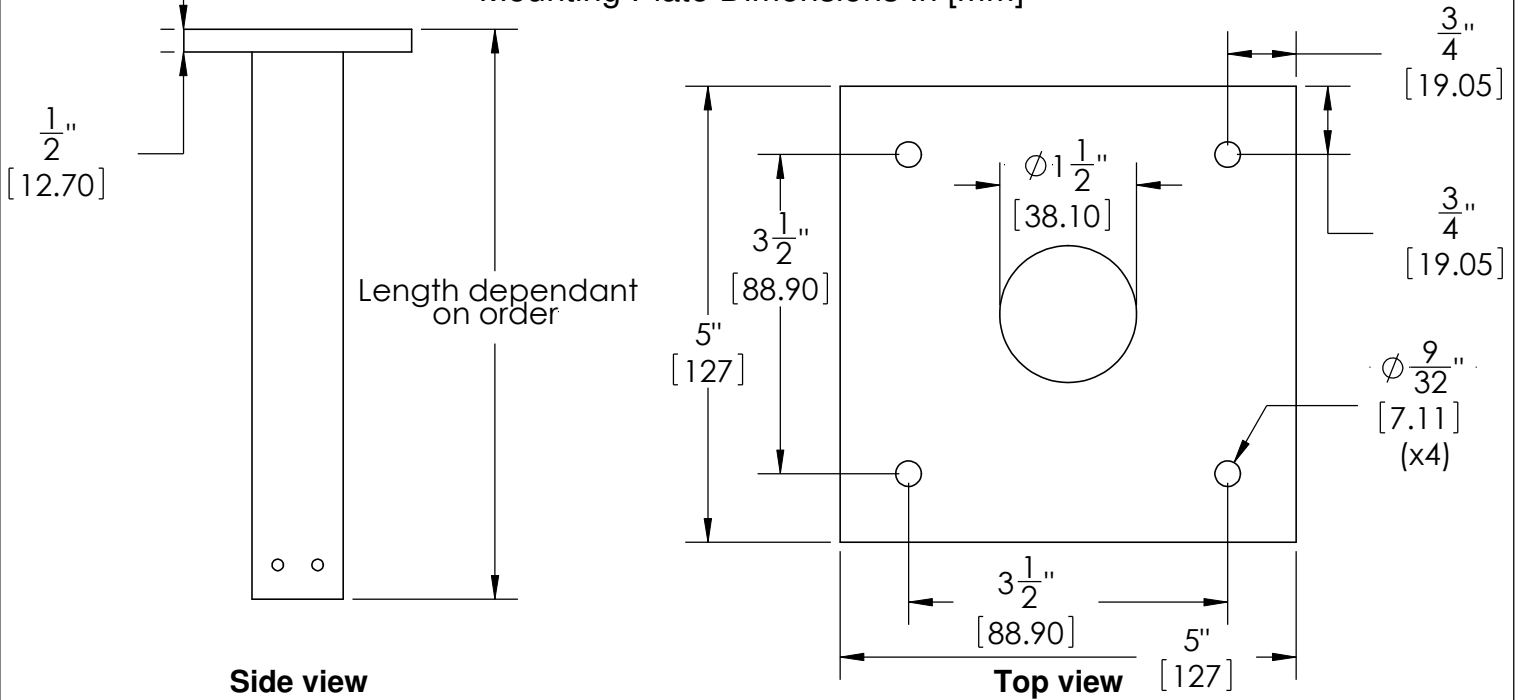
These installation instructions are valid with the above Ametrix styles

Small, OUTDOOR P2R

(Pendant, 2-way, Remote ballast)
Visor and Non-Visor

Warning: Before starting any work ensure that all sources of power are turned off. All work must meet local/national codes and be performed by a certified electrician. **Do not** mount fixtures vertically.

Mounting Plate Dimensions In [mm]



Lamping Size Chart (lamps provided by others)

FIXTURE SIZE (inches/ mm)	WATTAGE	# OF LAMPS	LAMP TYPE	LAMP DESCRIPTION	LAMP (not to scale)
10 3/4 / 273.05	39 W	1	T6	Ceramic Metal Halide	
12 3/4 / 323.85	70 W	1	T6	Ceramic Metal Halide	
12 3/4 / 323.85	150 W	1	T6	Ceramic Metal Halide	
12 3/4 / 323.85	26 W	1	4-Pin Triple Tube	Compact Fluorescent	 Use only GE or Sylvania SFL lamps
12 3/4 / 323.85	32 W	1	4-Pin Triple Tube	Compact Fluorescent	
12 3/4 / 323.85	42 W	1	4-Pin Triple Tube	Compact Fluorescent	
10 3/4 / 273.05	100 W	1	T4	Halogen (Single Ended)	
12 3/4 / 323.85	150 W	1	T4	Halogen (Single Ended)	
12 3/4 / 323.85	250 W	1	T4	Halogen (Single Ended)	