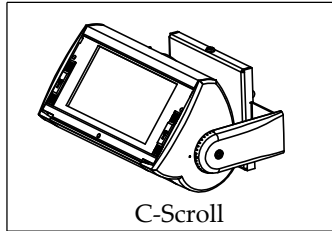
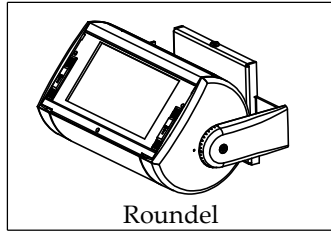


Vault



C-Scroll



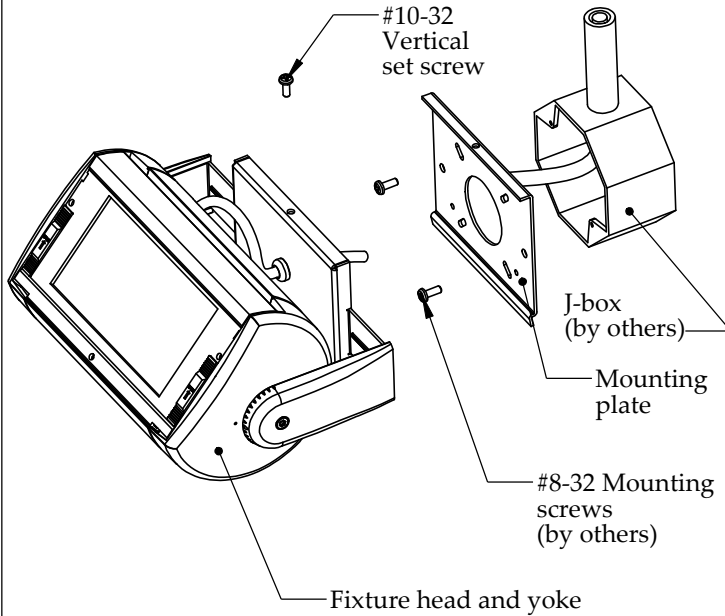
Roundel

These installation instructions are valid with the above Ametrix styles.

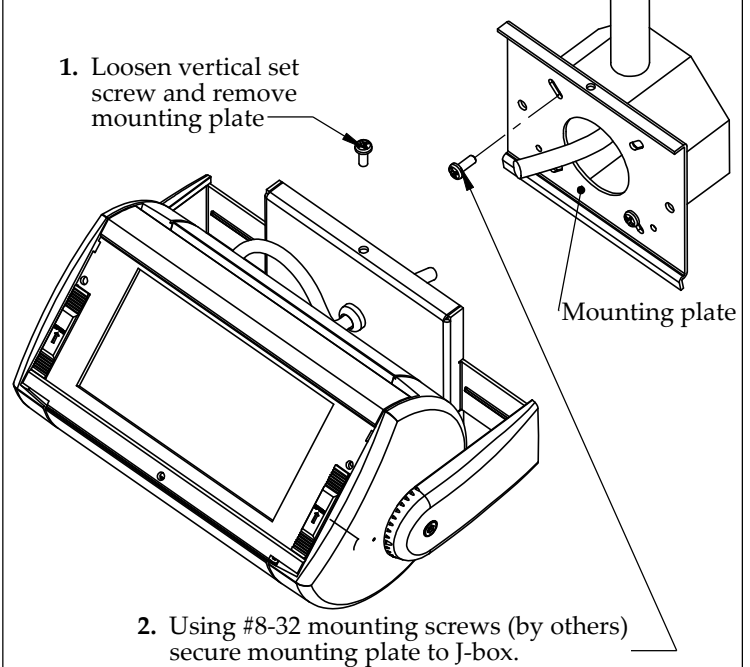
Small, INDOOR YR (Yoke mount, Remote ballast) Visor and Non-Visor

Warning: Before starting any work ensure that all sources of power are turned off. All work must meet local/national codes and be performed by a certified electrician. Do not mount fixtures vertically.

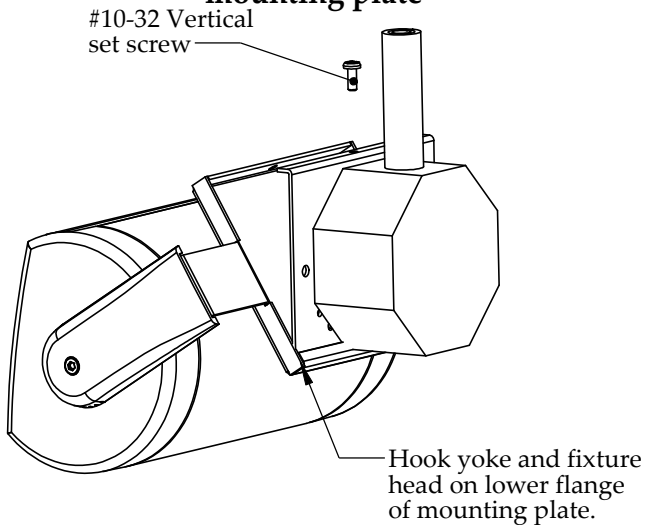
Exploded view and part call-out



1 Fixing mounting plate to J-box

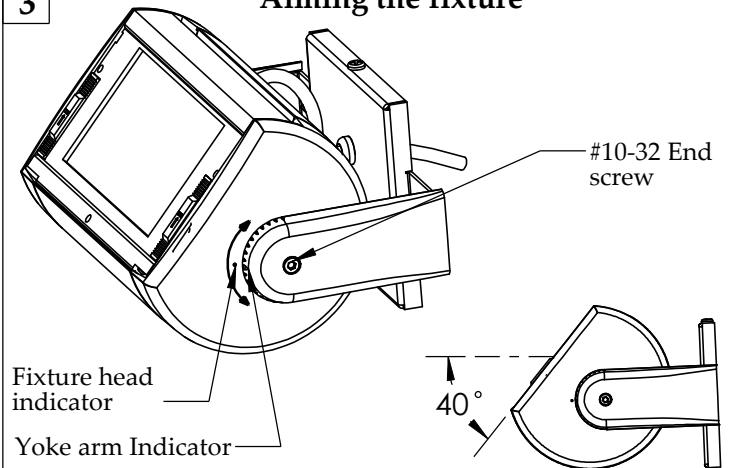


2 Attaching fixture head and yoke to mounting plate

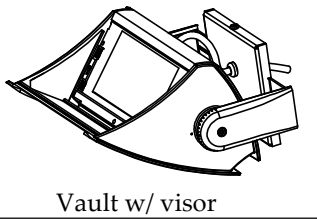


1. Attach wires ensuring all connections are properly matched.
2. Angle yoke behind bottom flange on mounting plate and press together.
3. Secure fixture using vertical set screw.

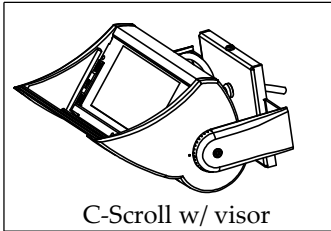
3 Aiming the fixture



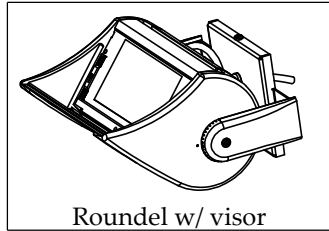
1. To aim the fixture, loosen both #10-32 end screws. When the PointGrab™ system indicators are lined up, the slope of the lens face is 40-degrees. Each subsequent notch is an additional 10-degrees.
2. When the fixture head is adjusted to the desired angle, re-tighten end screws to secure the position.



Vault w/ visor



C-Scroll w/ visor



Roundel w/ visor

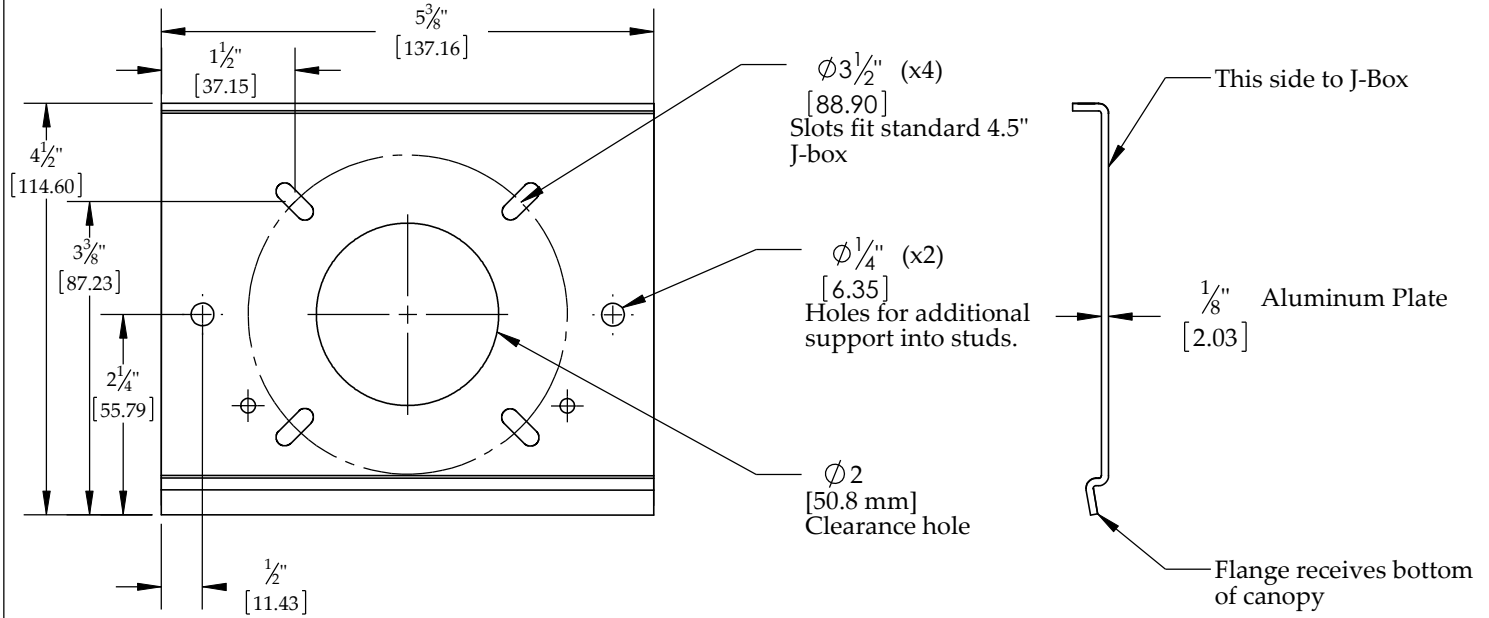
These installation instructions are valid with the above Ametrix styles

**Small, INDOOR
YR
(Yoke mount, Remote ballast)
Visor and Non-Visor**

Warning: Before starting any work ensure that all sources of power are turned off. All work must meet local/national codes and be performed by a certified electrician. **Do not** mount fixtures vertically.

Mounting Plate Dimensions (In and mm)

Mounting plate is compatible with 10 3/4"(273.05mm) and 12 3/4"(323.85mm) small remote yokes.



Lamping Size Chart
(lamps provided by others)

FIXTURE SIZE (inches/ mm)	WATTAGE	# OF LAMPS	LAMP TYPE	LAMP DESCRIPTION	LAMP (not to scale)
10 3/4 / 273.05	39 W	1	T6	Ceramic Metal Halide	
12 3/4 / 323.85	70 W	1	T6	Ceramic Metal Halide	
12 3/4 / 323.85	150 W	1	T6	Ceramic Metal Halide	
12 3/4 / 323.85	26 W	1	4-Pin Triple Tube	Compact Fluorescent	 Use only GE or Sylvania CFL Lamps
12 3/4 / 323.85	32 W	1	4-Pin Triple Tube	Compact Fluorescent	
12 3/4 / 323.85	42 W	1	4-Pin Triple Tube	Compact Fluorescent	
10 3/4 / 273.05	100 W	1	T4	Halogen (Single Ended)	
12 3/4 / 323.85	150 W	1	T4	Halogen (Single Ended)	
12 3/4 / 323.85	250 W	1	T4	Halogen (Single Ended)	