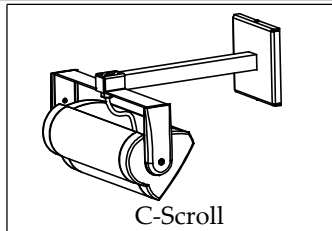
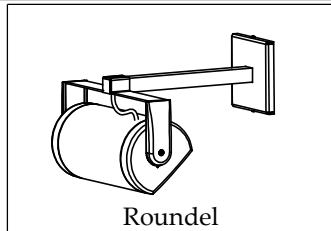


Vault



C-Scroll



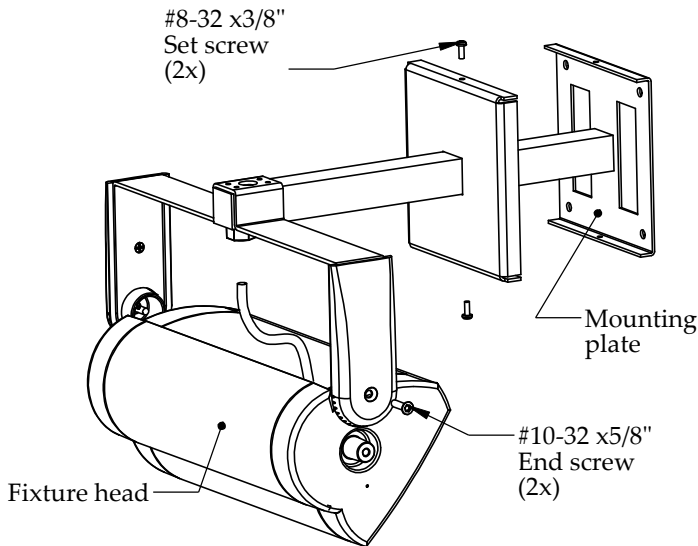
Roundel

These installation instructions are valid with the above Ametrix styles.

Small, INDOOR CR (Cantilever, Remote ballast) Visor and Non-Visor

Warning: Before starting any work ensure that all sources of power are turned off. All work must meet local/national codes and be performed by a certified electrician. Do not mount fixtures vertically.

Exploded View and part call-out

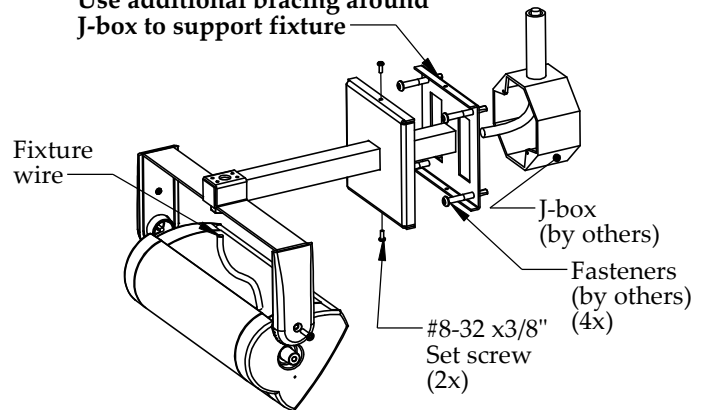


Attention:

All cantilever fixture assemblies require additional bracing/structure around J-box to support fixture.

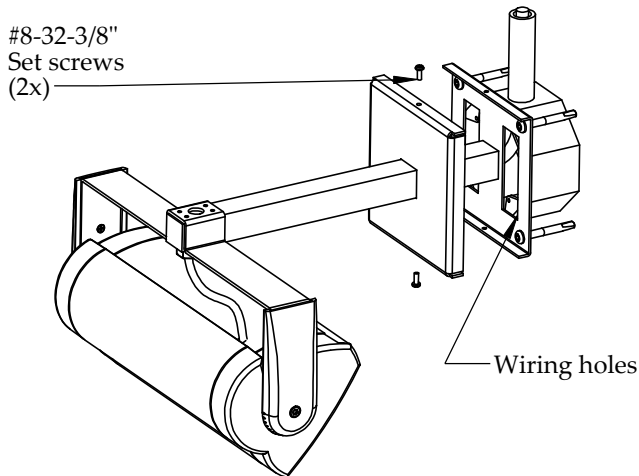
1 Securing the fixture to structure

Use additional bracing around J-box to support fixture



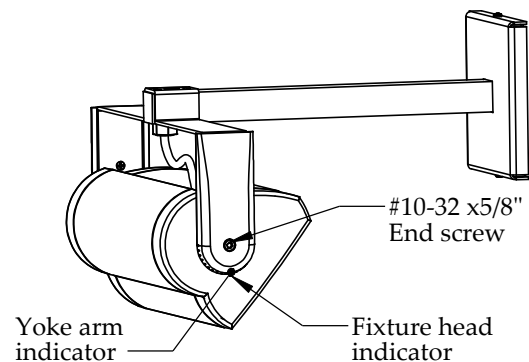
1. Secure fixture head to pendant yoke using both #10-32 x5/8" end screws.
2. Feed fixture wire through pendant tube.
3. Remove both #8-32 x3/8" set screws and slide canopy down pendant.
4. Run wires from pendant and j-box through wiring holes in mounting plate.
5. Use appropriate fasteners, secure mounting plate to structure around J-box. **Use additional bracing around J-box to support fixture.**

2 Wiring the fixture

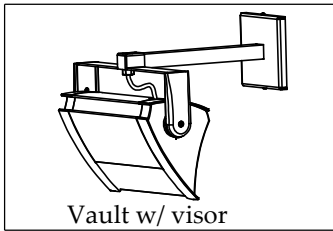


1. After securing fixture to structure, attach appropriate wires and ensure connections are properly matched.
2. Push wire connections into J-box and cover mounting plate with canopy.
3. Secure canopy with both #8-32-3/8" set screws.

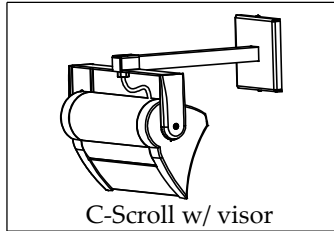
3 Aiming the fixture



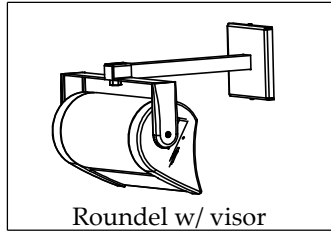
1. To aim fixture, loosen both #10-32 x5/8" end screws. When both indicators are lined up, the slope of the lens face is 40-degrees. Each subsequent notch is an additional +/- 10-degrees
2. When fixture head is rotated to desired angle, retighten end screws to secure the position.



Vault w/ visor



C-Scroll w/ visor



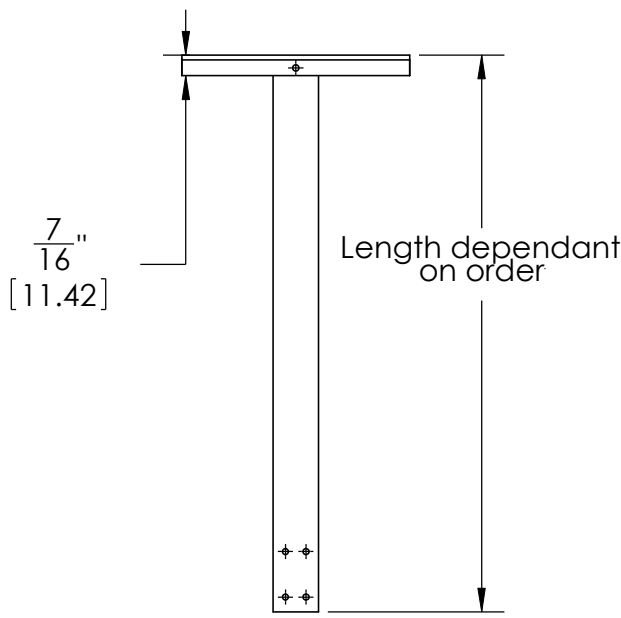
Roundel w/ visor

These installation instructions are valid with the above Ametrix styles

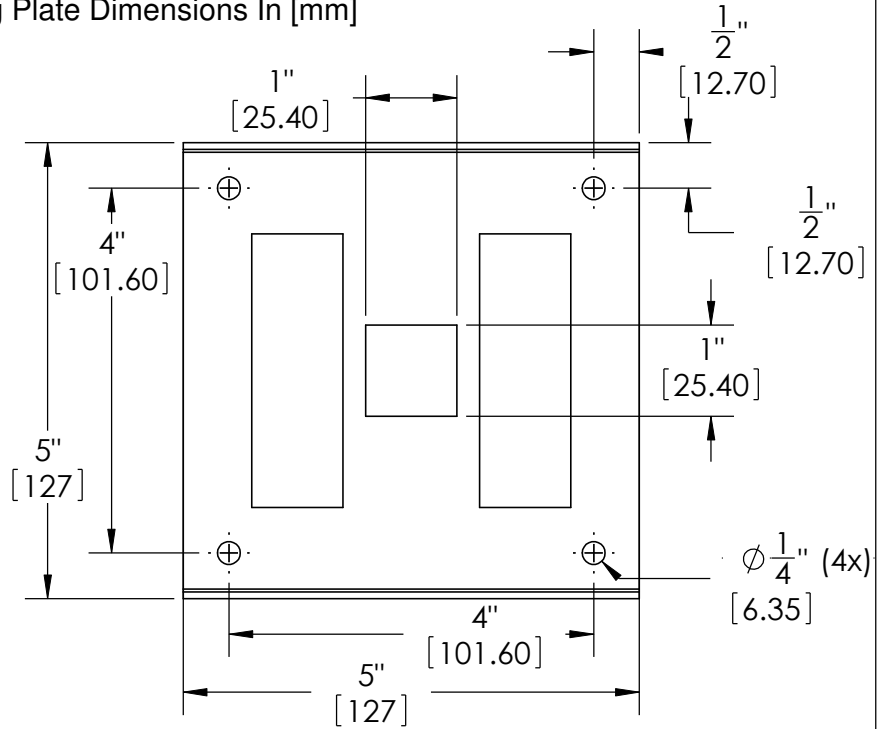
**Small, INDOOR
CR**
(Cantilever, Remote ballast)
Visor and Non-Visor

Warning: Before starting any work ensure that all sources of power are turned off. All work must meet local/national codes and be performed by a certified electrician. **Do not** mount fixtures vertically.

Mounting Plate Dimensions In [mm]



Side View



Top View

Lamping Size Chart
(lamps provided by others)

FIXTURE SIZE (inches/ mm)	WATTAGE	# OF LAMPS	LAMP TYPE	LAMP DESCRIPTION	LAMP (not to scale)
10 3/4 / 273.05	39 W	1	T6	Ceramic Metal Halide	
12 3/4 / 323.85	70 W	1	T6	Ceramic Metal Halide	
12 3/4 / 323.85	150 W	1	T6	Ceramic Metal Halide	
12 3/4 / 323.85	26 W	1	4-Pin Triple Tube	Compact Fluorescent	 Use only GE and Sylvania CFL lamps
12 3/4 / 323.85	32 W	1	4-Pin Triple Tube	Compact Fluorescent	
12 3/4 / 323.85	42 W	1	4-Pin Triple Tube	Compact Fluorescent	
10 3/4 / 273.05	100 W	1	T4	Halogen (Single Ended)	
12 3/4 / 323.85	150 W	1	T4	Halogen (Single Ended)	
12 3/4 / 323.85	250 W	1	T4	Halogen (Single Ended)	