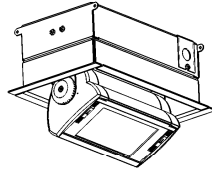
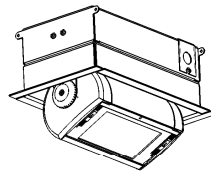


Vault



C-Scroll



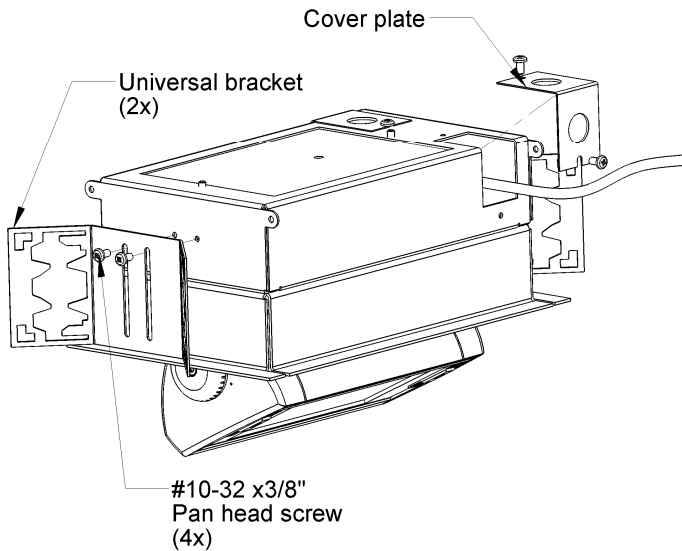
Roundel

These installation instructions are valid with the above Ametrix styles.

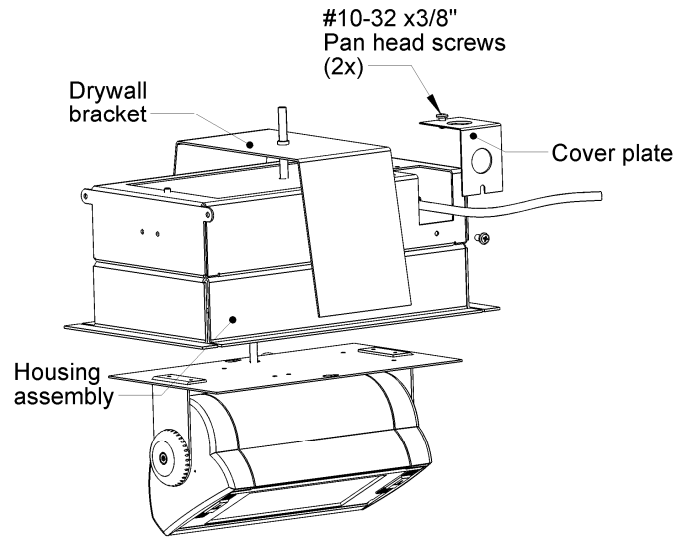
**Small, INDOOR
SRI
(Semi-Recessed, Integral ballast)
Visor and Non-Visor**

Warning: Before starting any work ensure that all sources of power are turned off. All work must meet local/national codes and be performed by a certified electrician. **Do not** mount fixtures vertically.

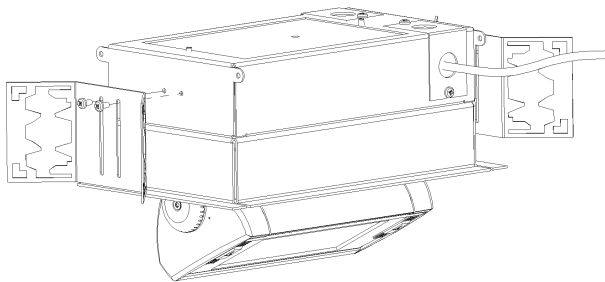
**Exploded view and part call-out
(ceiling grid)**



**Exploded view and part call-out
(drywall)**

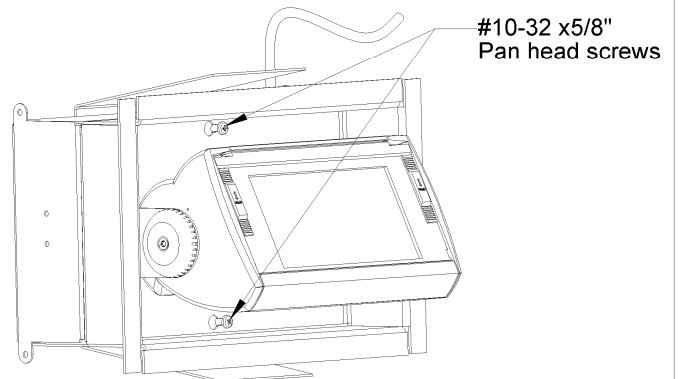


**1. Removing brackets from fixture housing
(ceiling grid)**

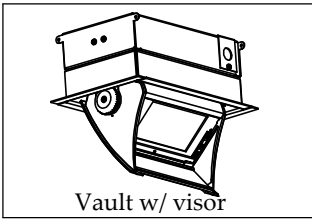


1. Remove universal brackets from fixture housing by removing all four #10-32 x3/8" pan head screws.

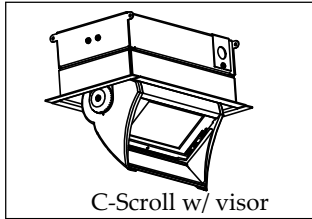
**1. Removing fixture head from housing
(drywall)**



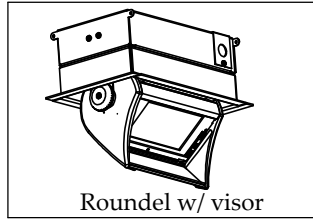
1. Loosen both #10-32 x5/8" Pan head screws in keyhole slots inside of fixture housing. 10 3/4" fixture sizes use two(2) screws, 12 3/4" fixture sizes use four(4) screws.
2. Slide fixture head assembly to side and remove from housing.
3. Store fixture in safe place.



Vault w/ visor



C-Scroll w/ visor



Roundel w/ visor

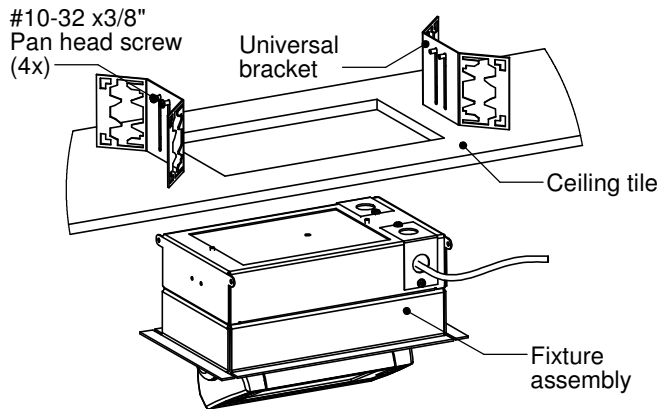
These installation instructions are valid with the above Ametrix styles.

Small, INDOOR SRI

(Semi-Recessed, Integral ballast)
Visor and Non-Visor

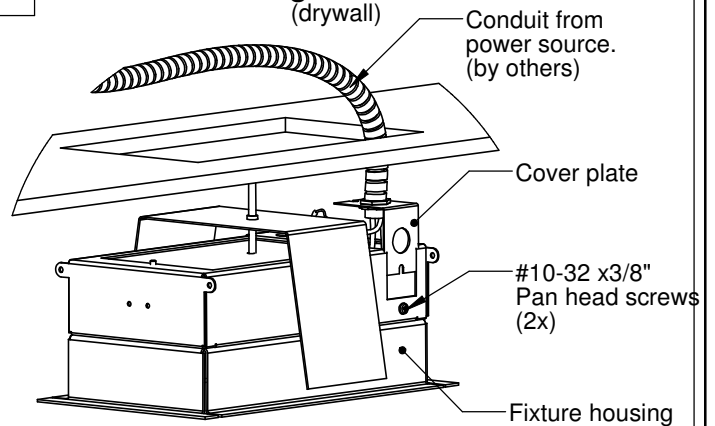
Warning: Before starting any work ensure that all sources of power are turned off. All work must meet local/national codes and be performed by a certified electrician. **Do not** mount fixtures vertically.

2. Securing fixture to ceiling tile



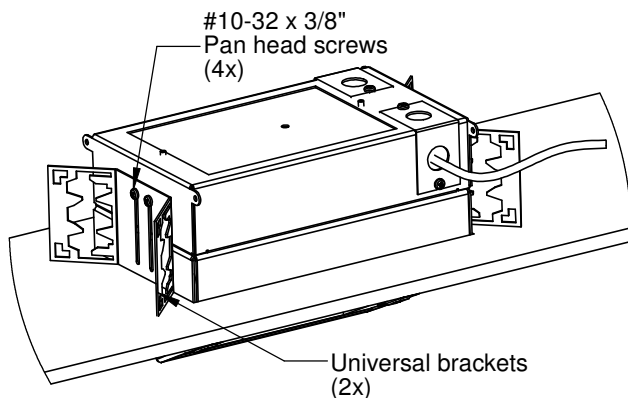
1. If possible, remove ceiling tile from grid to facilitate fixture installation.
2. Using cut out dimensions provided on page four(4), cut appropriate size opening in ceiling tile.
3. Insert fixture assembly into cut out in ceiling tile.

2. Wiring the fixture



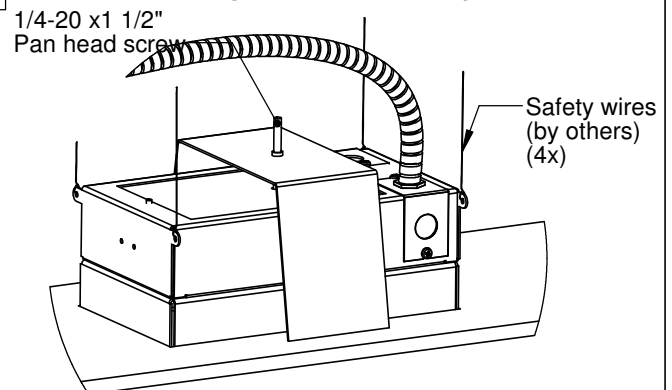
1. Using cut out dimensions provided on page four(4), cut hole into dry wall and feed power wire to hole.
2. After removing fixture head, loosen #10-32 x 3/8" Pan head screws and remove cover plate closest to power feed.
3. Knock out appropriate hole for conduit and attach as shown on page three(3).
4. Replace cover plate and secure with #10-32 x 3/8" Pan head screws and press fixture housing into hole in drywall.

3. Replacing brackets on fixture housing (ceiling grid)

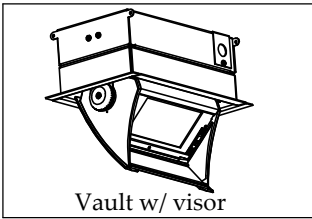


1. Loosely reattach brackets to both sides of fixture housing.
2. Press brackets flush to ceiling tile and secure using #10-32 x 3/8".

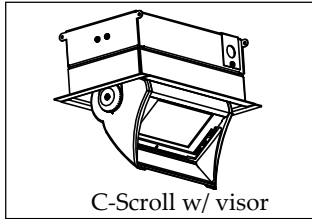
3. Securing the fixture in drywall



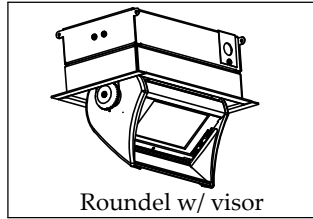
1. Prior to pushing fixture into hole in drywall, tie off fixture housing to structure using safety wire(by others) as show on page three(3).
2. Gently push fixture housing into hole and tighten 1/4-20 x 1 1/2" Pan head screw from inside fixture housing to tighten drywall bracket around drywall.
3. Connect appropriate wires from fixture head and ensure all wires are properly matched.
4. Replace fixture head assembly on keyhole screws and tighten.



Vault w/ visor



C-Scroll w/ visor



Roundel w/ visor

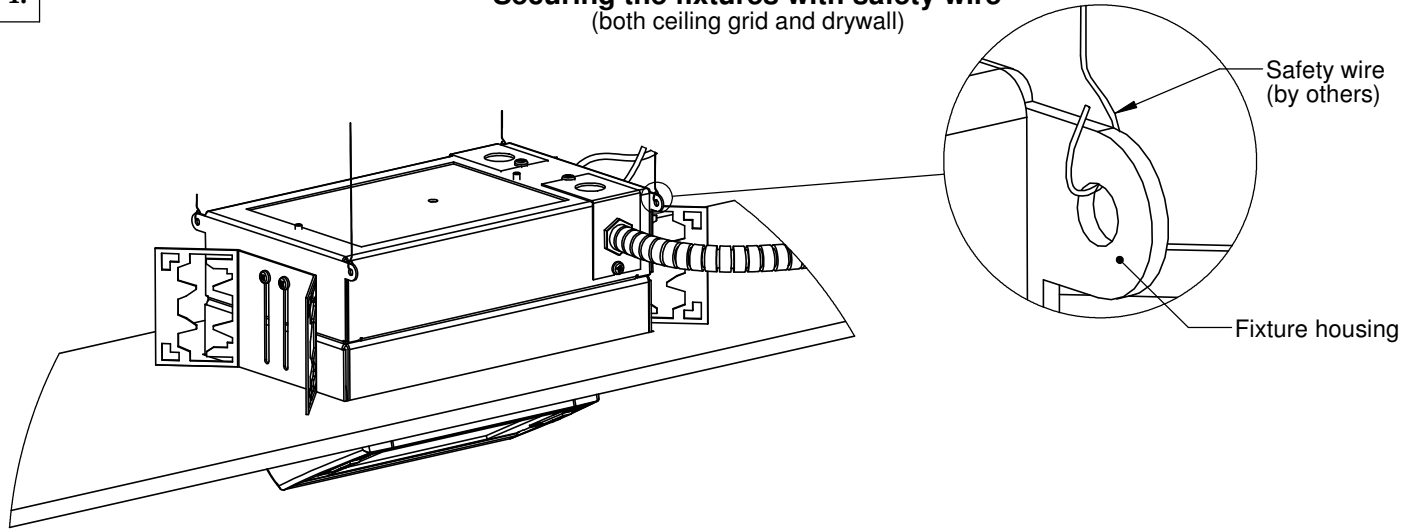
These installation instructions are valid with the above Ametrix styles.

Small, INDOOR SRI (Semi-Recessed, Integral ballast) Visor and Non-Visor

Warning: Before starting any work ensure that all sources of power are turned off. All work must meet local/national codes and be performed by a certified electrician. **Do not** mount fixtures vertically.

4.

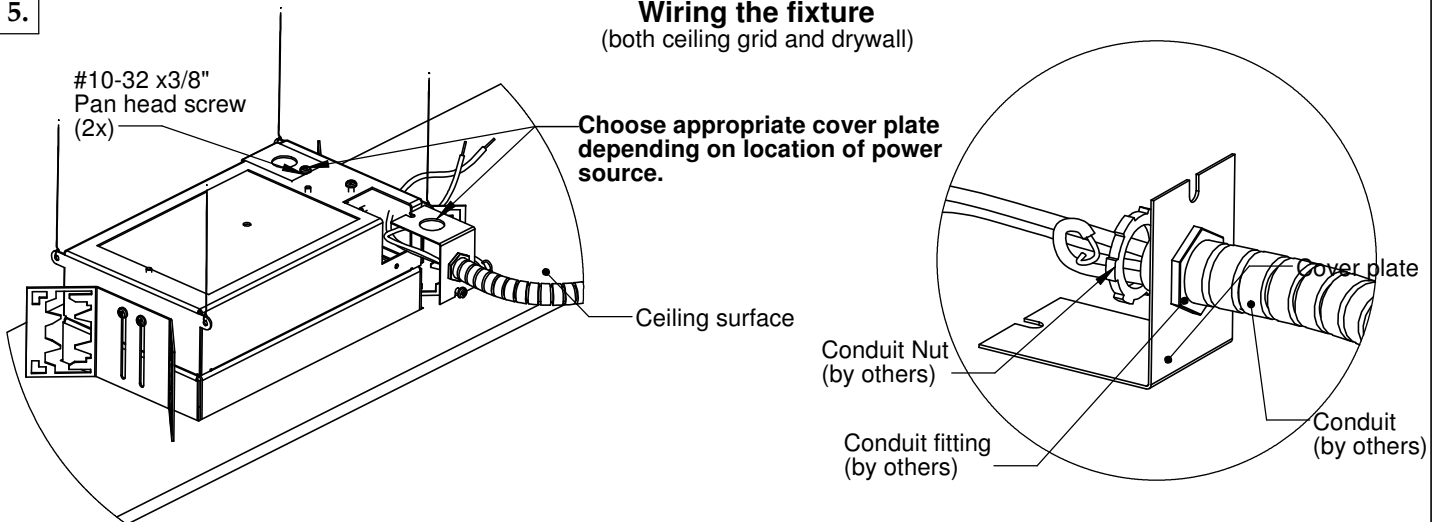
Securing the fixtures with safety wire (both ceiling grid and drywall)



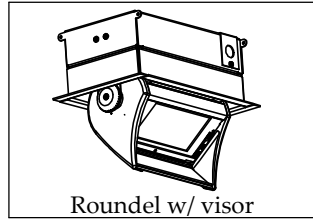
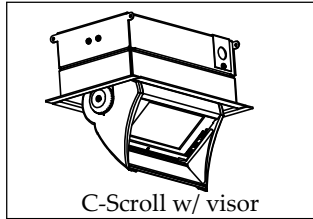
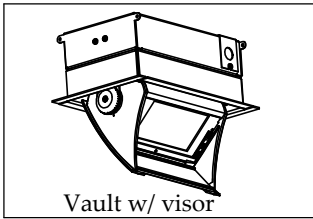
1. After securing fixture housing to ceiling structure using provided brackets, reinforce fixture using safety wire (by others).
2. Using all four tabs located on corners of fixture housing, tie off fixture to structure using safety wire (by others).

5.

Wiring the fixture (both ceiling grid and drywall)



1. If applicable, replace ceiling tile with fixture secured back into ceiling. Remove adjacent tile from ceiling to facilitate wiring.
2. Depending on location of power source, loosen #10-32 x 3/8" Pan head screws and remove appropriate cover plate and knock out appropriate hole.
3. Using conduit fitting and washer, secure conduit to cover plate.
4. Attach appropriate wires and ensure all connections are properly matched.
5. Replace cover plate and secure with #10-32 x 3/8" Pan head screws.

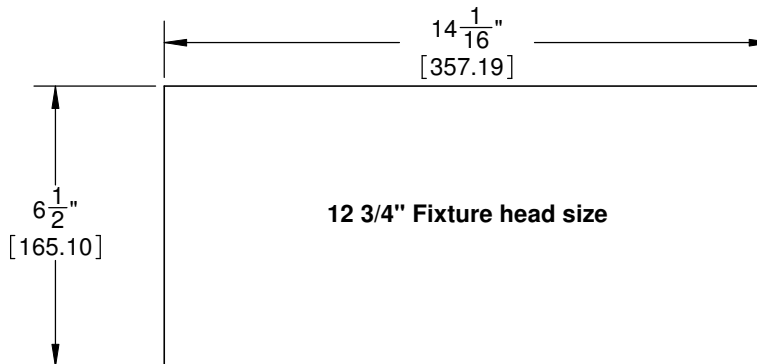
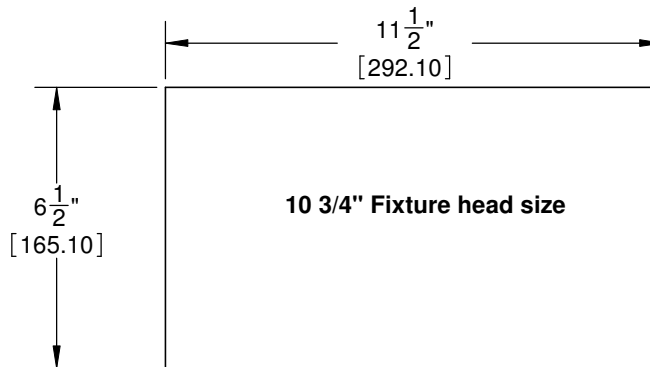


These installation instructions are valid with the above Ametrix styles

**Small, INDOOR
SRI**
(Semi-Recessed, Integral ballast)
Visor and Non-Visor

Warning: Before starting any work ensure that all sources of power are turned off. All work must meet local/national codes and be performed by a certified electrician. **Do not** mount fixtures vertically.

Cutout Dimensions In[mm]



Lamping Size Chart
(lamps provided by others)

FIXTURE SIZE (inches/ mm)	WATTAGE	# OF LAMPS	LAMP TYPE	LAMP DESCRIPTION	LAMP (not to scale)
10 3/4 / 273.05	39 W	1	T6	Ceramic Metal Halide	
12 3/4 / 323.85	70 W	1	T6	Ceramic Metal Halide	
12 3/4 / 323.85	150 W	1	T6	Ceramic Metal Halide	
12 3/4 / 323.85	26 W	1	T4	Compact Fluorescent	
10 3/4 / 273.05	100 W	1	T4	Halogen(Single Ended)	
12 3/4 / 323.85	150 W	1	T4	Halogen(Single Ended)	
12 3/4 / 323.85	250 W	1	T4	Halogen(Single Ended)	