

Vault

C-Scroll

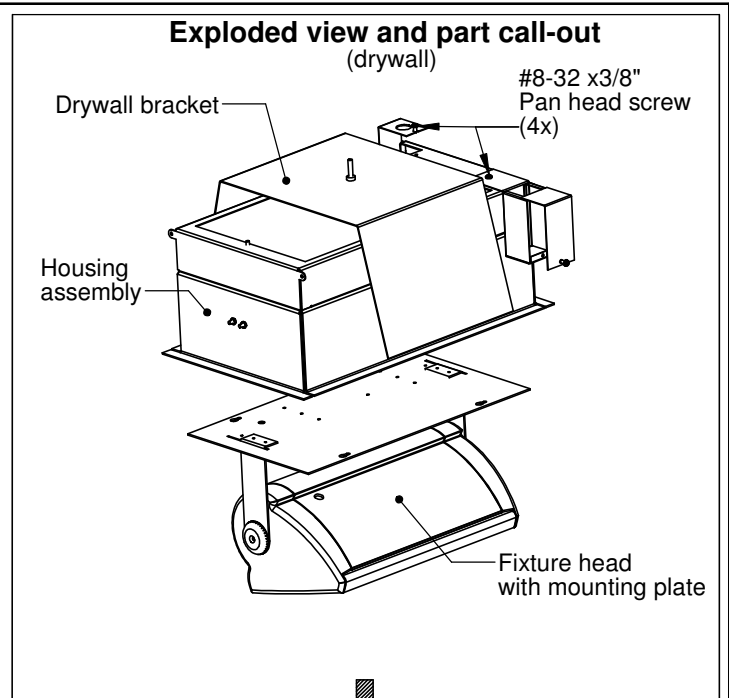
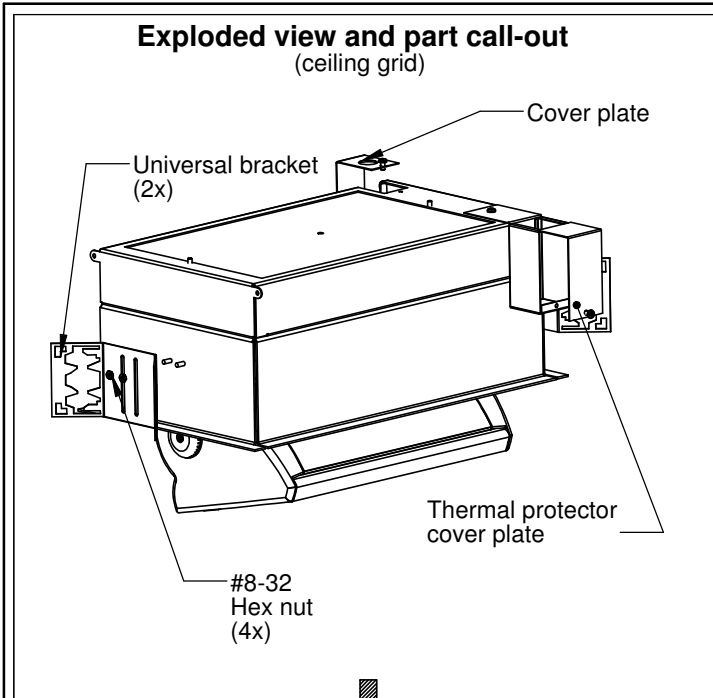
Roundel

These installation instructions are valid with the above Ametrix styles.

Large, INDOOR SRR

(Semi-Recessed, Remote ballast)
Visor and Non-Visor

Warning: Before starting any work ensure that all sources of power are turned off. All work must meet local/national codes and be performed by a certified electrician. **Do not** mount fixtures vertically.

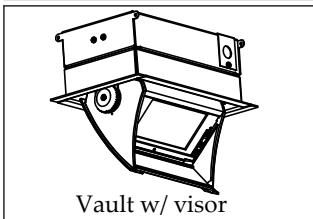


1. Removing brackets from fixture housing (ceiling grid)

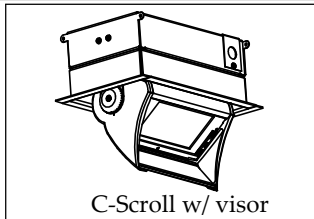
1. Remove universal brackets from fixture housing by removing all four #10-32 Hex nuts.

1. Removing fixture head from housing (drywall)

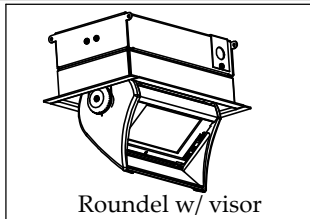
- Loosen all #10-32 x5/8" Pan head screws in keyhole slots inside of fixture housing. (16 1/2" & 22 1/2" fixture sizes use four(4) screws, 30 1/2 fixture sizes use six(6) screws"
- Slide fixture head assembly to side and remove from housing.
- Store fixture in safe place.



Vault w/ visor



C-Scroll w/ visor



Roundel w/ visor

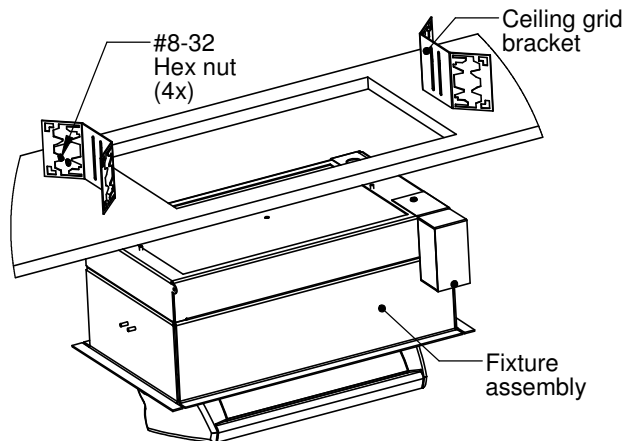
These installation instructions are valid with the above Ametrix styles.

Large, INDOOR SRR

(Semi-Recessed, Remote ballast)
Visor and Non-Visor

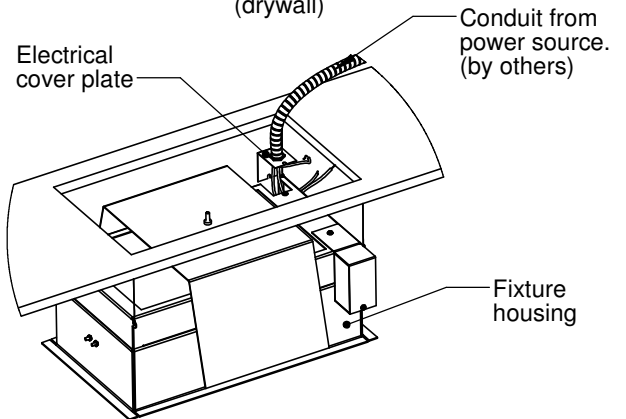
Warning: Before starting any work ensure that all sources of power are turned off. All work must meet local/national codes and be performed by a certified electrician. **Do not** mount fixtures vertically.

2. Securing fixture to ceiling tile



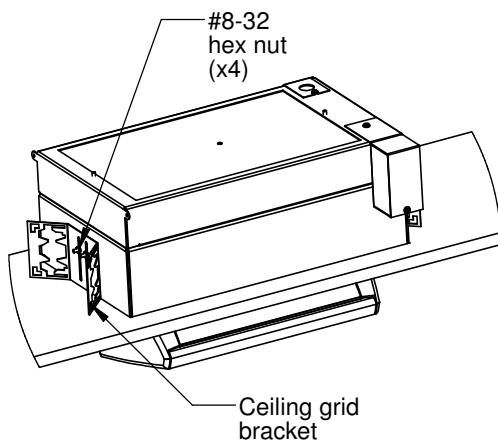
1. If possible, remove ceiling tile from grid to facilitate fixture installation.
2. Using cut out dimensions provided on page four(4), cut appropriate size opening in ceiling tile.
3. Carefully insert fixture assembly into cut out in ceiling tile.

2. Wiring the fixture (drywall)



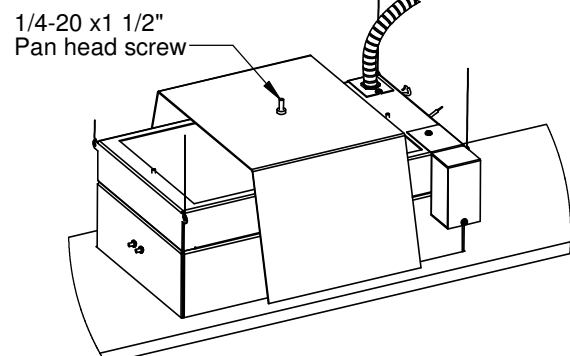
1. Using cut out dimensions provided on page four(4), cut hole into dry wall and feed power wire to hole.
2. After removing fixture head, loosen #10-32 x3/8" Pan head screws and remove electrical cover plate.
3. Knock out appropriate hole for conduit and attach as shown on page three(3).
4. Replace cover plate and secure with #10-32 x3/8" Pan head screws and press fixture housing into hole in drywall.

3. Replacing brackets on fixture housing

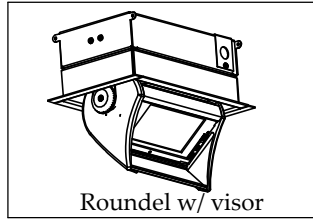
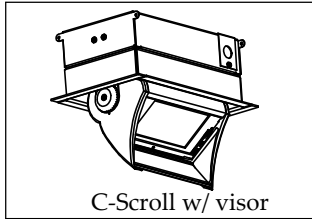
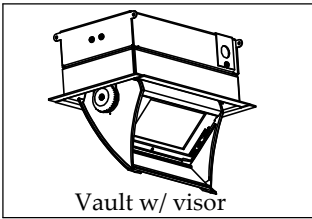


1. Loosely reattach brackets to both sides of fixture housing.
2. Press brackets flush to ceiling tile and secure using #10-32 Hex nuts.

3. Replacing fixture head (drywall)



1. Prior to pushing fixture into hole in drywall, tie off fixture housing to structure using safety wire(by others) as show on page three(3).
2. Gently push fixture housing into hole and tighten 1/4-20 x 1 1/2" Pan head screw from inside fixture housing to tighten drywall bracket around drywall.
3. Connect appropriate wires from fixture head and ensure all wires are properly matched.
4. Replace fixture head assembly on keyhole screws and tighten.



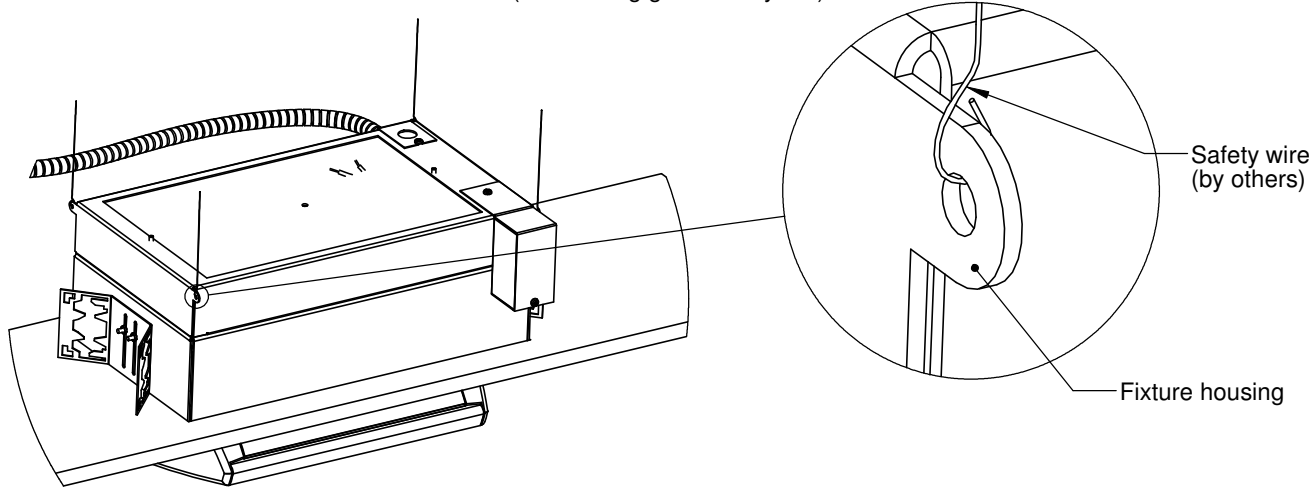
These installation instructions are valid with the above Ametrix styles.

Large, INDOOR SRR (Semi-Recessed, Remote ballast) Visor and Non-Visor

Warning: Before starting any work ensure that all sources of power are turned off. All work must meet local/national codes and be performed by a certified electrician. **Do not** mount fixtures vertically.

4.

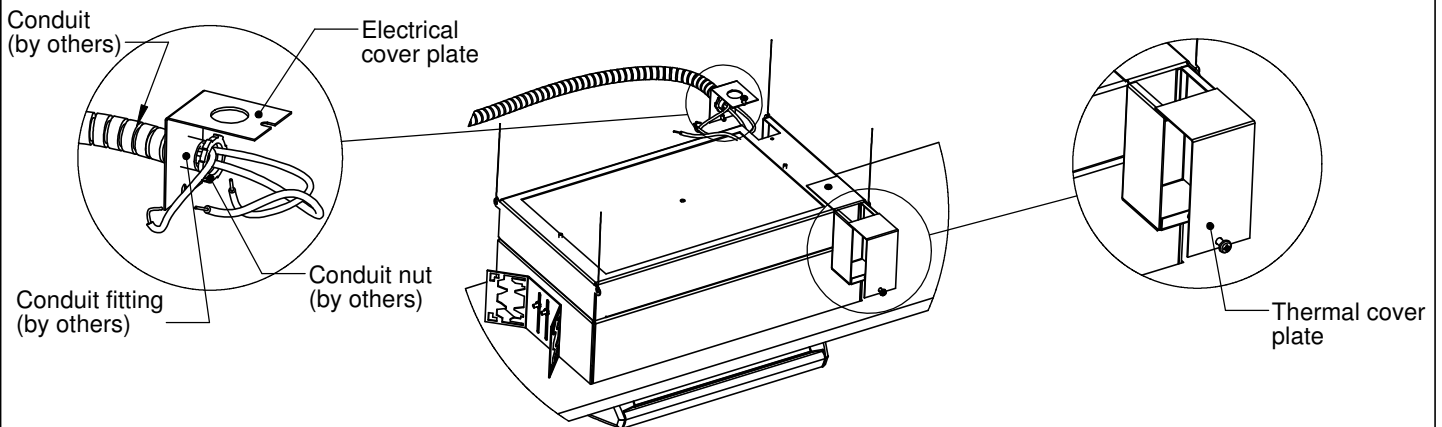
Securing the fixtures with safety wire (both ceiling grid and drywall)



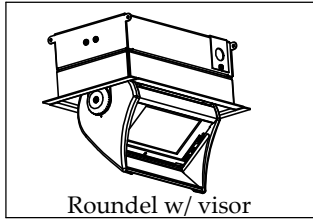
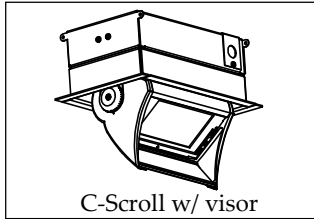
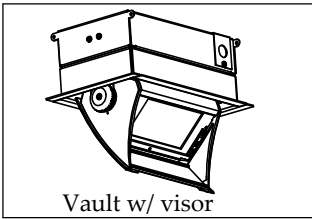
1. After securing fixture housing to ceiling structure using provided brackets, reinforce fixture using safety wire (by others).
2. Using all four tabs located on corners of fixture housing, tie off fixture to structure using safety wire (by others).

5.

Wiring the fixture (both ceiling grid and drywall)



1. If applicable, replace ceiling tile with fixture secured back into ceiling. Remove adjacent tile from ceiling to facilitate wiring.
2. Loosen #10-32 x3/8" Pan head screws and remove electrical cover plate and knock out appropriate hole.
3. Using conduit fitting and nut, secure conduit to cover plate.
4. Attach appropriate wires and ensure all connections are properly matched. If ordered, remove thermal cover plate and wire thermal protector.
5. Replace cover plates and secure with #10-32 x3/8" Pan head screws.

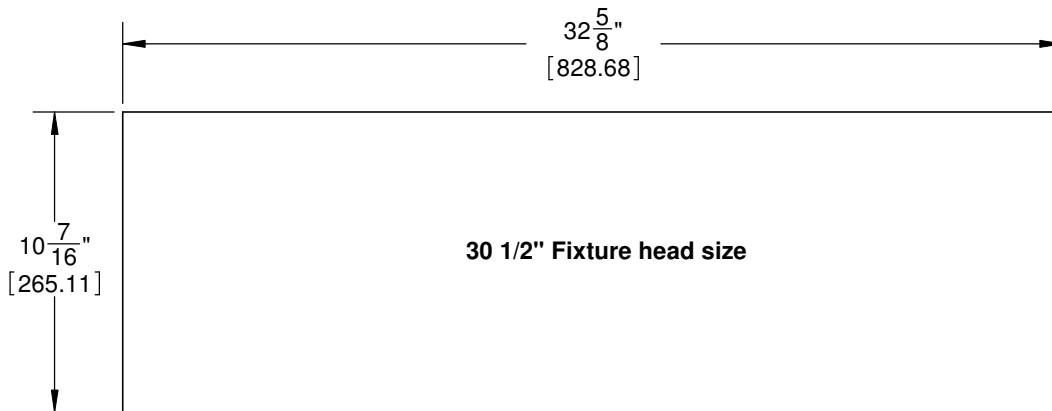
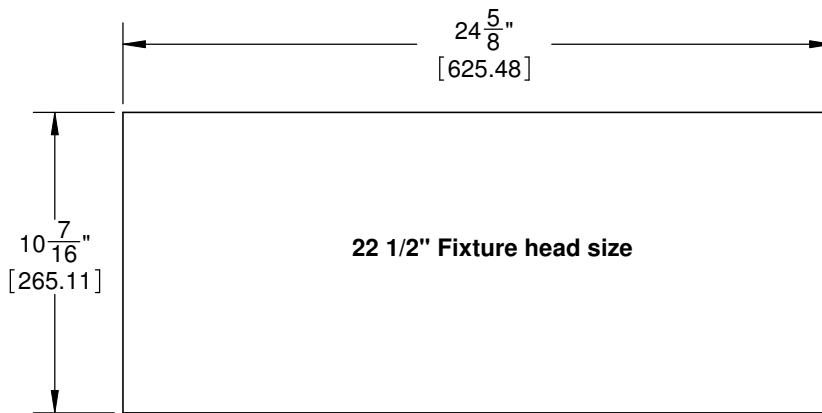
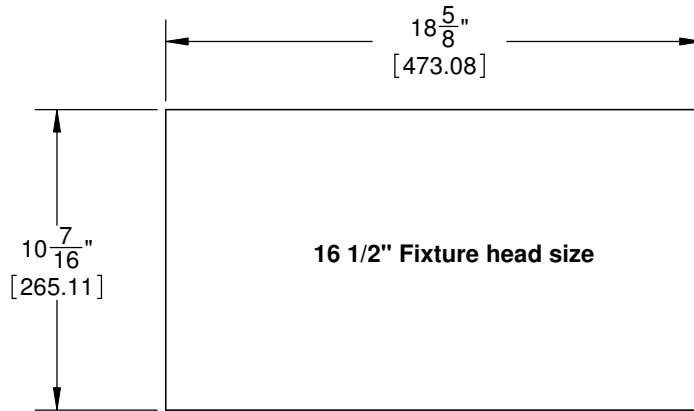


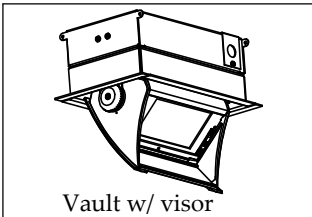
These installation instructions are valid with the above Ametrix styles

**Large, INDOOR
SRR
(Semi-Recessed, Remote ballast)
Visor and Non-Visor**

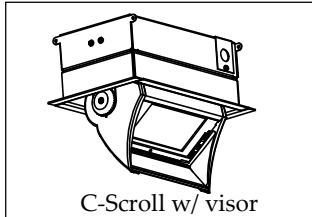
Warning: Before starting any work ensure that all sources of power are turned off. All work must meet local/national codes and be performed by a certified electrician. **Do not** mount fixtures vertically.

Cutout Dimensions In[mm]

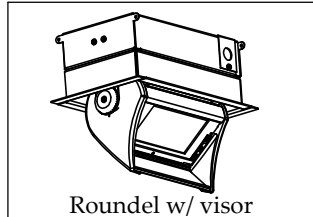




Vault w/ visor



C-Scroll w/ visor



Roundel w/ visor

These installation instructions are valid with the above Ametrix styles

**Large, INDOOR
SRR
(Semi-Recessed, Remote ballast)
Visor and Non-Visor**

Warning: Before starting any work ensure that all sources of power are turned off. All work must meet local/national codes and be performed by a certified electrician. **Do not** mount fixtures vertically.

Lamping Size Chart
(lamps provided by others)

FIXTURE SIZE (inches/ mm)	WATTAGE	# OF LAMPS	LAMP TYPE	LAMP DESCRIPTION	Lamp (not to scale)
16 1/2 / 419.1	32 W	1	T4	Compact Fluorescent	
16 1/2 / 419.1	42 W	1	T4	Compact Fluorescent	
16 1/2 / 419.1	57 W	1	T4	Compact Fluorescent	
16 1/2 / 419.1	100 W	1	ED17	Ceramic Metal Halide	
16 1/2 / 419.1	150 W	1	T6	Ceramic Metal Halide	
16 1/2 / 419.1	175 W	1	ED17	Ceramic Metal Halide	
22 1/2 / 571.5 mm	250 W	1	ET18	Metal Halide	
22 1/2 / 571.5 mm	400 W	1	ET18	Metal Halide	
22 1/2 / 571.5 mm	150 W	2	T6	Ceramic Metal Halide	
22 1/2 / 571.5 mm	32 W	2	T4	Compact Fluorescent	
22 1/2 / 571.5 mm	42 W	2	T4	Compact Fluorescent	
22 1/2 / 571.5 mm	250 W	1	ET18	Metal Halide	
22 1/2 / 571.5 mm	400 W	1	ET18	Metal Halide	
22 1/2 / 571.5 mm	150 W	2	T6	Ceramic Metal Halide	
22 1/2 / 571.5 mm	350 W	1	T3	Halogen(Double Ended)	
22 1/2 / 571.5 mm	500 W	1	T3	Halogen(Double Ended)	
30 1/2 / 774.7	36 W	1	T5	Twin Tube	
30 1/2 / 774.7	40 W	1	T5	Twin Tube	
30 1/2 / 774.7	50 W	1	T5	Twin Tube	
30 1/2 / 774.7	55 W	1	T5	Twin Tube	
30 1/2 / 774.7	36 W	2	T5	Twin Tube	
30 1/2 / 774.7	40 W	2	T5	Twin Tube	
30 1/2 / 774.7	50 W	2	T5	Twin Tube	
30 1/2 / 774.7	55 W	2	T5	Twin Tube	
30 1/2 / 774.7	250 W	2	ET18	Metal Halide	
30 1/2 / 774.7	400 W	2	ET18	Metal Halide	
30 1/2 / 774.7	900 W	1	T3	Halogen(Double Ended)	
30 1/2 / 774.7	1000 W	1	T3	Halogen(Double Ended)	