

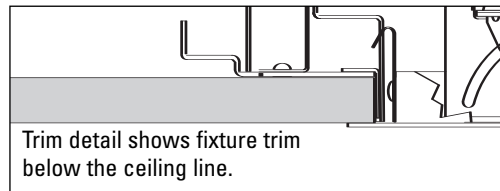
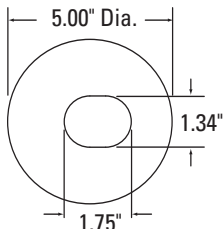
**5" Adjustable Slot Aperture Trim
w/ Hot Aiming Adjustability
New Construction Housing - 4.75" Height
12V Bi-Pin Base MR16 Lamp 75 Watts Max.**

- ACT-1685WH ACT-1685BK
- ACT-1685S ACT-1685SS
- ACT-1685PM

w/ ACT-950 Housing

DESCRIPTION:

Recessed slot aperture Trim. 360° rotational adjustability and 45° (0° vertical to 45° tilt) angle adjust with angle locking mechanism in trim. Housing accommodates various ceiling thicknesses.



ELECTRICAL:

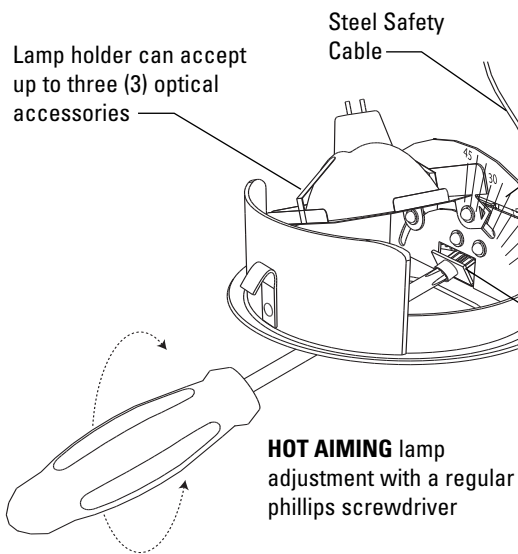
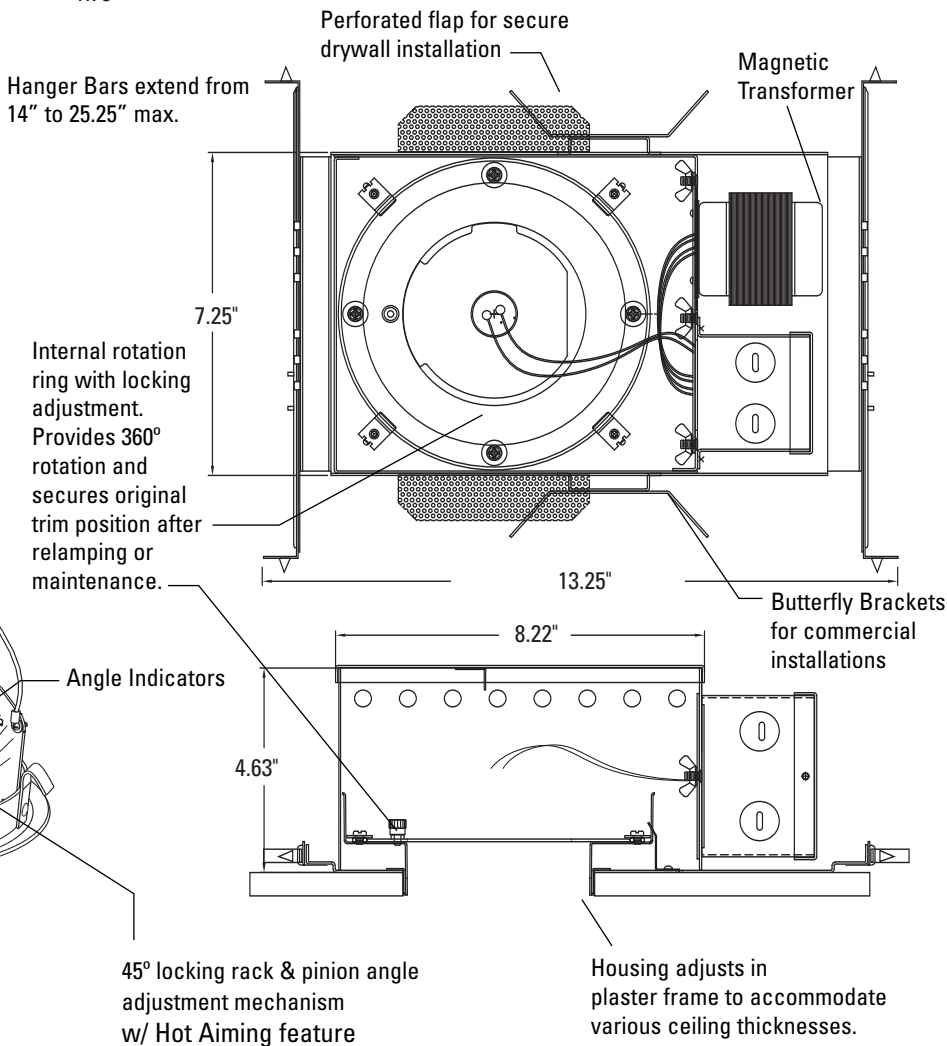
120V input, 12V output. Junction box is U.L. listed for through branch wiring.

CONSTRUCTION:

Housing and plaster frame: 18 gauge CRS
Trim ring, j-box and hanger assemblies: 16 gauge CRS.

SYSTEM PROTECTION:

Thermal protection provided to guard against overheating and misuse of insulation over and around fixture. Vent holes in housing provide cooler operation.



Item #	Description	Finish	Voltage / Wattage
ACT-1685WH / ACT-950	Accurus Series Adjustable Slot Aperture Trim with New Construction Housing w/ Magnetic Transformer	White	12V / 75W Max.
ACT-1685BK / ACT-950		Black	
ACT-1685S / ACT-950		Silver	
ACT-1685SS / ACT-950		Stainless Steel	
ACT-1685PM / ACT-950		Primer	

cULus For 277 volt transformer add "277" to end of item #.