

## DESCRIPTION

Remodel housing for 5" Accurus square trim. For 12V MR16 50 watts max.

For remodel applications in existing ceilings. Insulation must be kept 3" from all sides and at least 1" above the housing.

<b>Catalog #</b>		<b>Type</b>
<b>Project</b>		
<b>Comments</b>		<b>Date</b>
<b>Prepared by</b>		

## SPECIFICATION FEATURES

### A...Housing

White housing with structural steel arm and wireway. Connected to integral j-box.

### B...System Protection:

Thermal protection provided to guard against overheating and misuse of insulation over and around fixture. Vent holes in housing provide cooler operation.

### C...Electrical

Integral j-box and electronic or magnetic low voltage transformer. 120V or 277V input, 12V output. Junction box is U.L. listed for through branch wiring. Includes two 1/2 trade size knockouts.

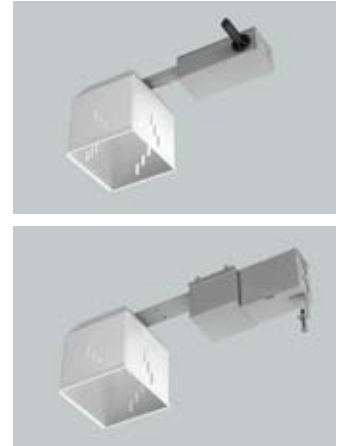
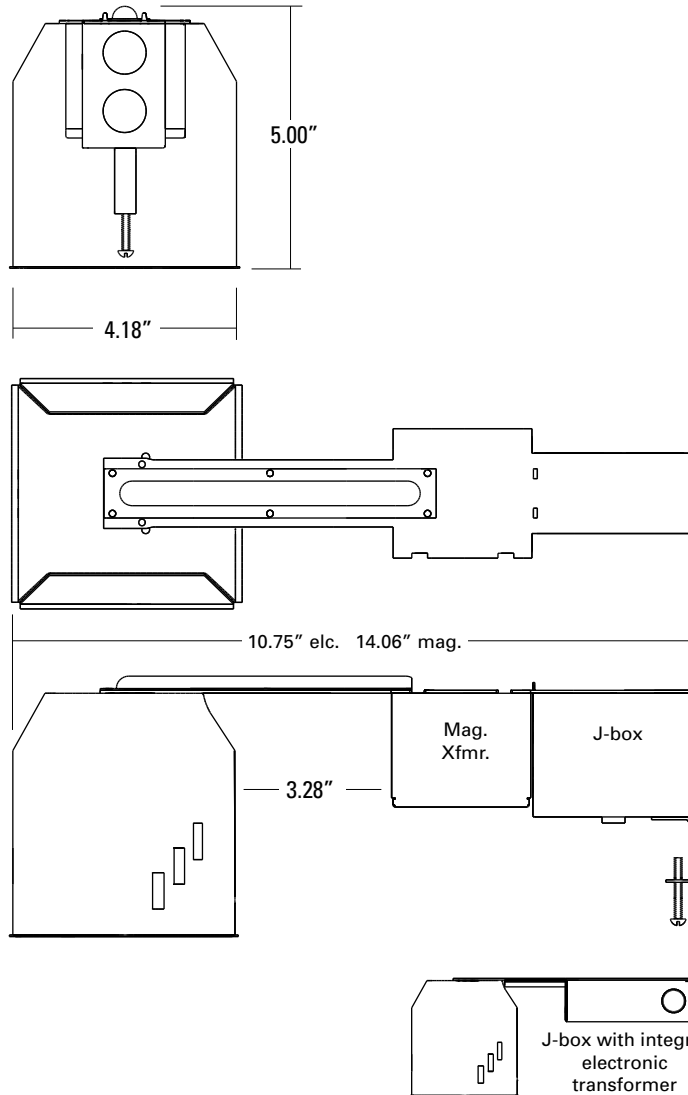
### D...Lamp

12V MR16 50 watts max. (not included) "POSI-GRIP" bi-pin lamp socket for firm, mechanical lamp connection.

### E...Mounting

Supplied with 3 (three) spring loaded mounting clips. May accommodate 1/2", 1", or 1-1/2" ceiling thickness. Includes adjustable leveling screw.

**Ceiling Cut-Out: 4.18"**



## ACCURUS HOUSING

### ACT955RM Remodel Housing for Square Trim

### Integral Electronic or Magnetic Transformer

FOR 12V MR16 50 watts max.



## ORDERING INFORMATION

<b>ACT955RM</b>		
<b>Housing</b> ACT955RM = Accurus Remodel Housing for Square Trim w/Integral Transformer	<b>Transformer</b> ELC = Electronic MAG = Magnetic	<b>Voltage</b> 120 = 120 volts primary 277 = 277 volts primary