

DESCRIPTION

Remodel housing for Accurus round trims. Includes electronic metal halide ballast for use with 20W or 39W MR16 Metal Halide lamp.

For remodel applications. Insulation must be kept 3" from all sides and at least 1" above the housing.

Catalog #		Type
Project		
Comments		Date
Prepared by		

SPECIFICATION FEATURES

A...Housing

White housing with structural steel arm and wireway. Connected to integral j-box.

B...System Protection:

Thermal protection provided to guard against overheating and misuse of insulation over and around fixture. Vent holes in housing provide cooler operation.

C...Electrical

Integral j-box and electronic metal halide ballast. 120V/277V input. Junction box is U.L. listed for through branch wiring. Includes five 1/2 trade size knockouts.

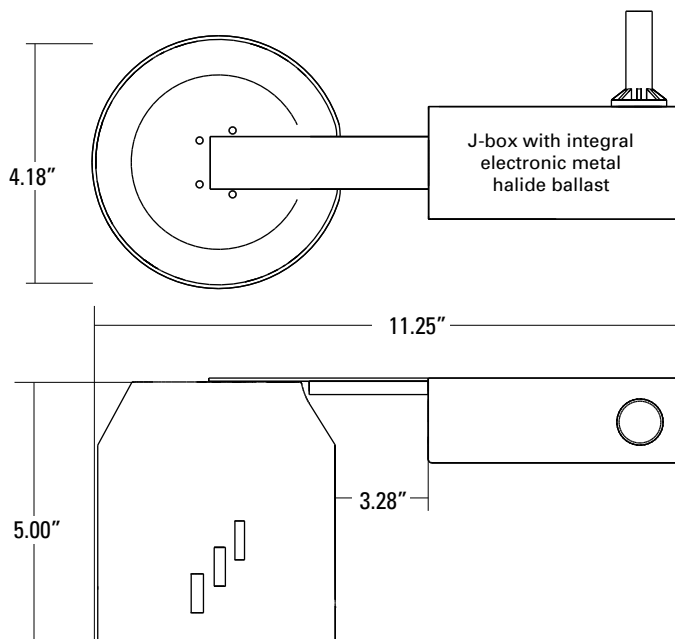
D...Lamp

MR16 style metal halide lamp. (not included)
GX10 twist-and-lock lamp socket included.

E...Mounting

Supplied with 3 (three) spring loaded mounting clips. May accommodate 1/2", 1", or 1-1/2" ceiling thickness. Includes adjustable leveling screw.

Ceiling Cut-Out: 4.18"



ACCURUS

ACT954RMMH Remodel Housing for 5" Round Trim

FOR METAL HALIDE MR16

20W or 39W



ORDERING INFORMATION

ACT954RMMH		
-------------------	--	--

Housing

ACT954RMMH =
Accurus Remodel Housing
for Round Trim
w/Integral Metal Halide Ballast

Lamp Wattage

20 = 20 watts
39 = 39 watts

Voltage

120 = 120 volts primary
277 = 277 volts primary

*Consult factory for 277V ballast availability.