

DESCRIPTION

Insulated ceiling AirTite housing for Accurus round trim fixtures. Includes electronic metal halide ballast for use with 20W or 39W MR16 Metal Halide lamp.

For insulated ceiling applications. Rated for direct contact with insulation material.

Catalog #		Type
Project		
Comments		Date
Prepared by		

SPECIFICATION FEATURES

A...Housing

Housing and plaster frame: 18 gauge CRS with flat black powder coated internal finish. Adjustable plaster frame can accommodate up to 1" ceiling thickness.

B...System Protection:

Thermal protection provided.

C...Electrical

Integral j-box and electronic metal halide ballast. 120V/277V input. Junction box is U.L. listed for through branch wiring. Includes five 1/2 trade size knockouts

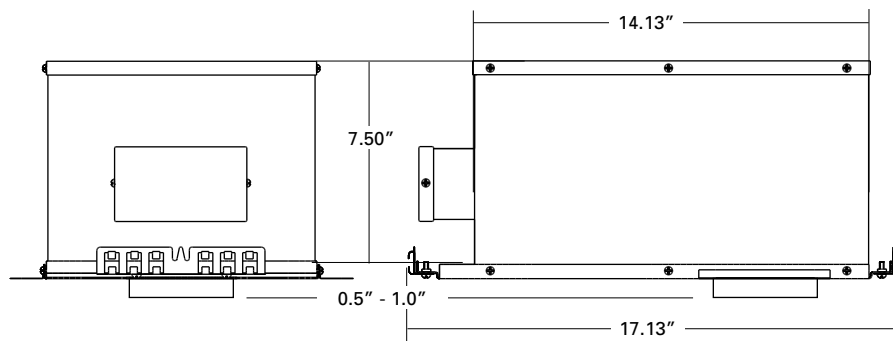
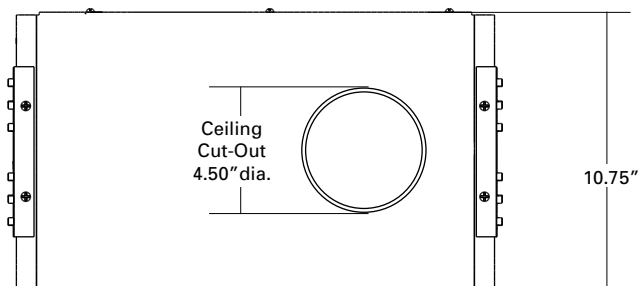
D...Lamp

MR16 metal halide lamp 20 or 39 watts. GX10 TAL lamp socket included. Internal rotation ring with locking adjustment. Provides 360° rotation of trim and secures original trim position after relamping.

E...Mounting

Hanger Bars and Butterfly Brackets included for residential and commercial applications respectively.

Ceiling Cut-Out: 4.50" dia.



ACCURUS

ACT952ICMH Insulated Ceiling Metal Halide AirTite Housing for 5" Round Trim

FOR METAL HALIDE MR16
20W or 39W



ORDERING INFORMATION

ACT952ICMH		
Housing ACT952ICMH = Accurus Insulated Ceiling Housing for Round Trim w/Integral Metal Halide Ballast	Lamp Wattage 20 = 20 watts 39 = 39 watts	Voltage 120 = 120 volts primary 277 = 277 volts primary