

DESCRIPTION

Remodel housing for Mini Accurus small aperture Round trimless fixtures. (ACM5001, ACM5002, ACM5003, ACM5004).

For non-I.C. remodel applications. Fixture is installed after the ceiling. Insulation must be kept 3" from all sides and at least 1" above the housing.

Catalog #		Type
Project		
Comments		Date
Prepared by		

SPECIFICATION FEATURES

A...Housing

Constructed of 18 gauge CRS with white powder coated finish.

B...System Protection:

Thermal protection provided to guard against overheating and misuse of insulation over and around fixture. Vent holes in housing provide cooler operation.

C...Electrical

Integral j-box and low voltage (12V) transformer. 120V input, 12V output. Junction box is U.L. listed for through branch wiring. Includes four 1/2 trade size knockouts.

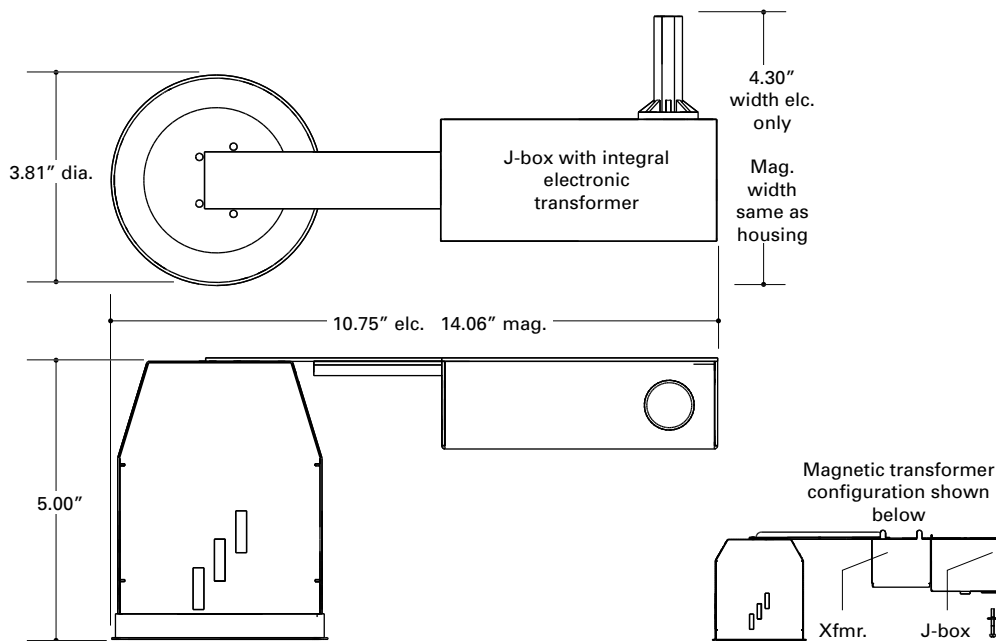
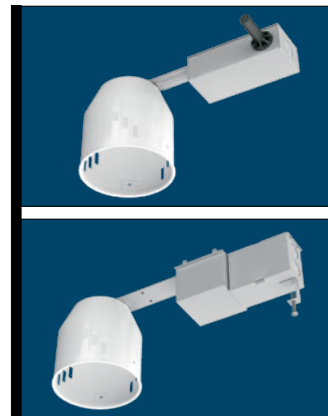
D...Lamp

12V MR16 50 watts max. (not included) "POSI-GRIP" bi-pin lamp socket for firm, mechanical lamp connection.

E...Mounting

Housing is secured with three snap-in retaining brackets. Clip mounting slots in the housing accommodate 1/2", 1", and 1-1/2" ceiling thickness.

Ceiling Cut-Out: 3.68" dia.



MINI ACCURUS

ACM504RM
Remodel Housing
for Round Trim
FOR 12V MR16 50 watts max.



ORDERING INFORMATION

ACM504RM		
-----------------	--	--

Housing

ACM504RM = Mini Accurus Remodel Housing for Round Trim w/Integral Transformer

Transformer

ELC = Electronic
MAG = Magnetic

Voltage

120 = 120 volts primary (standard)
277 = 277 volts primary (available)