



INSTALLATION INSTRUCTIONS

V90166

MINI ACCURUS ROUND TRIM SERIES

Model: ACM500 with ACM5001-5003

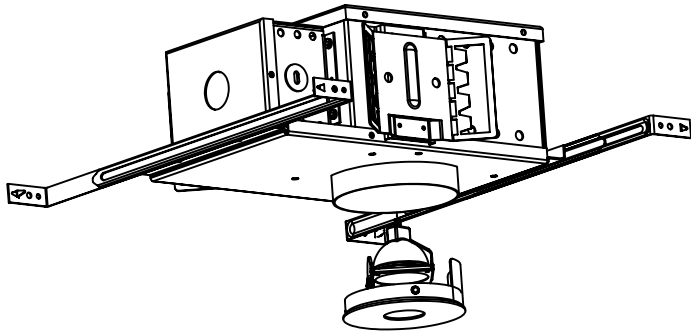


Avoid Fire or Electric Shock

- *Installation Instructions for qualified electricians only.
- *Install per National Electrical Code and local regulations.
- *Read Installation Instructions completely before installation.
- *Failure to follow Installation Instructions may void warranties.



THIS PRODUCT MUST BE INSTALLED IN ACCORDANCE WITH THE APPLICABLE INSTALLATION CODE BY A PERSON FAMILIAR WITH THE CONSTRUCTION AND OPERATION OF THE PRODUCT AND THE HAZARDS INVOLVED.



Fixture Mounting

BUTTERFLY MOUNTING:

1. Fixture comes equipped with Universal Butterfly Mounting and can take common 1 inch or 1-1/2 inch Black Iron or Galvanized Mounting Channels (Supplied By Others). See Fig. 1.
2. Position Fixture so the Mounting Channels lie on top of ceiling runners.
3. Fasten Mounting Channels securely to ceiling runners.
4. Secure Mounting Channels to Universal Butterfly Mounting Brackets with wire tie downs.
5. Adjust elevation of Fixture so Adjustable Aperture Ring Edge will be flush with surface of finished Ceiling by loosening two (2) 1/4 inch HEX Screws on both Universal Mounting Brackets. See Fig. 1.
6. Tighten two (2) 1/4 inch Hex Screws on both Universal Butterfly Mounting Brackets to secure Fixture. See Fig. 1.
7. Install Ceiling drywall up to Adjustable Aperture Ring on Fixture. See Fig. 2.
8. Position Adjustable Aperture Ring to be in plane with Ceiling by sliding up or down. See Fig. 2.
9. Apply caulking or mudding compound around perimeter edge of Adjustable Aperture Ring and drywall cutout.

Fixture Mounting (Con't)

HANGER BAR MOUNTING:

1. Maximum Hanger Bar rafter span: 22-1/2 inches.
2. Spread Hanger Bars to fit span of rafters.
3. Hammer Flanges to seat Hanger Bar Tabs in rafters. See Fig. 1.
4. Secure Hanger Bars using one (1) nail in Mounting Hole in each Flange.
5. Install Ceiling drywall up to Adjustable Aperture Ring on Fixture. See Fig. 2.
6. Position Adjustable Aperture Ring to be in plane with Ceiling by sliding up or down. See Fig. 1 & Fig. 2.
7. Apply caulking or mudding compound around perimeter edge of Adjustable Aperture Ring and drywall cutout.

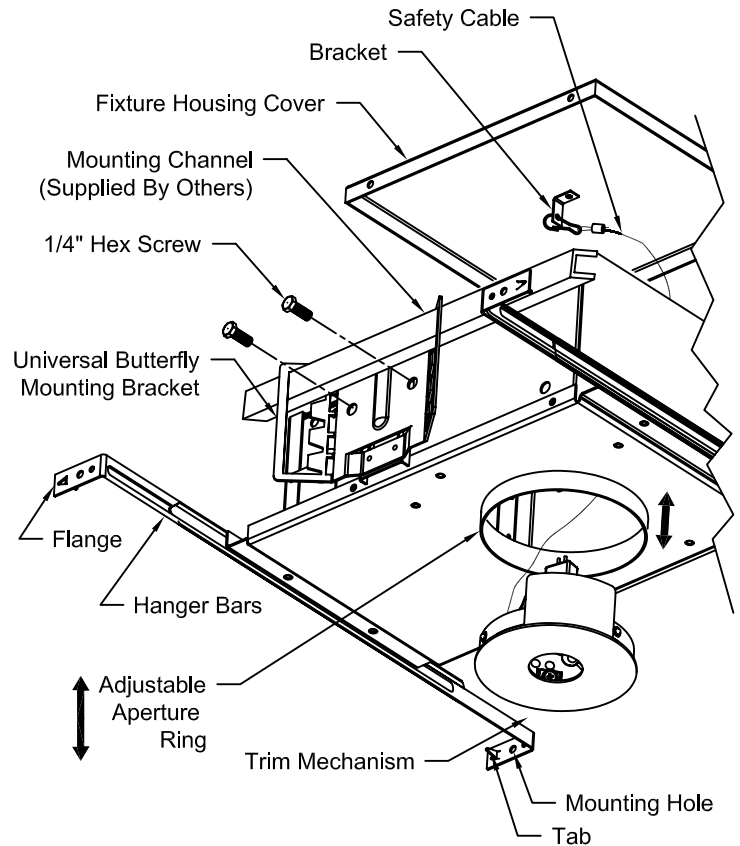


Figure 1



INSTALLATION INSTRUCTIONS (CON'T)

MINI ACCURUS ROUND TRIM SERIES

Model: ACM500 with ACM5001-5003

V90166

Fixture Mounting (Con't)

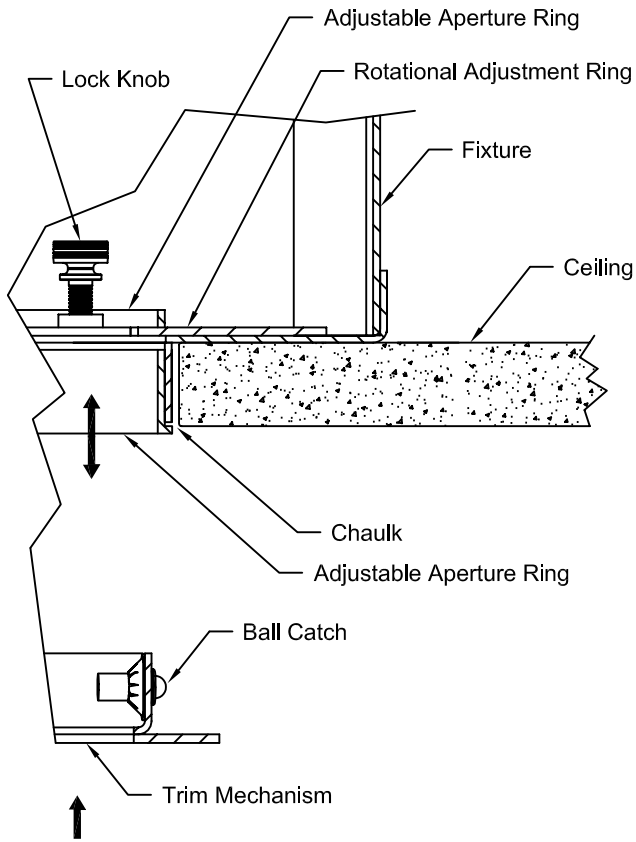


Figure 2

Trim Installation

1. Connect Safety Cable attached to Banana Bracket on Trim Mechanism (See Fig. 1) to Fixture by inserting Safety Cable through opening in Fixture and inserting Snap Hook on end of Safety Cable into hole in Bracket attached to inside of Fixture Housing Cover (See Fig. 1).
2. Install Trim Mechanism into Fixture by pressing firmly to engage Ball Catches. See Fig. 2.

Lamp Installation

*Lamp Bracket accommodates from one (1) to three (3) accessories.
*Rapid relamping system ensures original placement of light beam direction after relamping using Tab Alignment Feature.

1. Remove Trim Mechanism from Ceiling.
2. Slide out Lamp and/or Accessories from under Bracket Arm to remove. See Fig. 3.
3. Replace Lamp and/or Accessories as necessary.
4. To ensure original light beam placement, align Tab Alignment Feature on Trim Mechanism (See Fig. 3 & 4) with Tab Alignment Feature on Rotational Adjustment Ring inside Fixture (See Fig. 4).

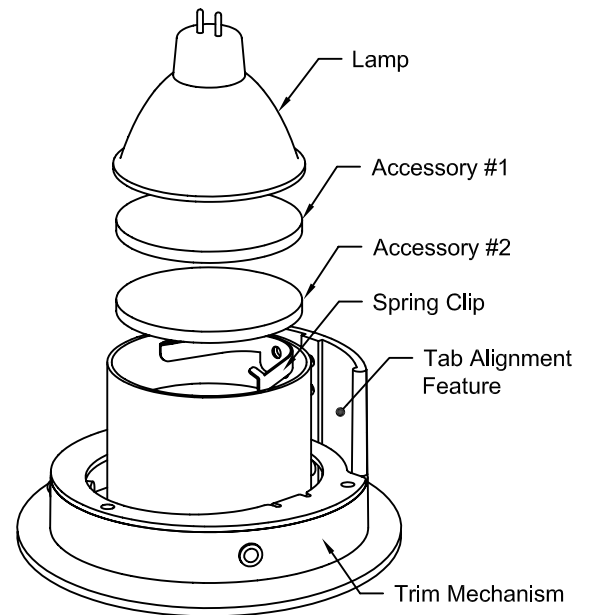


Figure 3



INSTALLATION INSTRUCTIONS (CON'T)

MINI ACCURUS ROUND TRIM SERIES

Model: ACM500 with ACM5001-5003

V90166

360° Rotational Lamp Adjustment

IF LOCKING KNOB IS UNLOCKED:

1. Rotate Trim Mechanism to desired lamp beam position by turning Trim Mechanism up to 360 Degrees.
2. To lock positioning, remove Trim Mechanism being careful not to change rotation.
3. Tighten Lock Knob inside Fixture to lock Rotational Adjustment Ring. See Fig. 4.
4. Re-install Trim Mechanism into Fixture by pressing firmly to seat Ball Detent Catches.

IF LOCKING KNOB IS LOCKED:

1. Remove Trim Mechanism from Fixture.
2. Loosen Lock Knob inside Fixture.
3. Replace Trim Mechanism and rotate Trim Mechanism to desired beam direction.
4. Remove Trim Mechanism and lock rotation Lock Knob.
5. Re-install Trim Mechanism into Fixture by pressing firmly to seat Retaining Clips being careful to align Tab Alignment Feature on Trim Mechanism with Tab Alignment Feature Notch in Rotational Adjustment Ring.

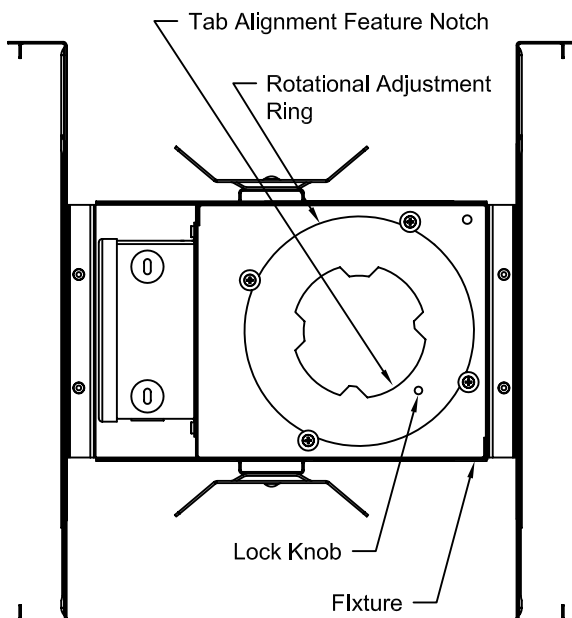


Figure 4

(Fixture Cover & Trim Removed For Clarity)